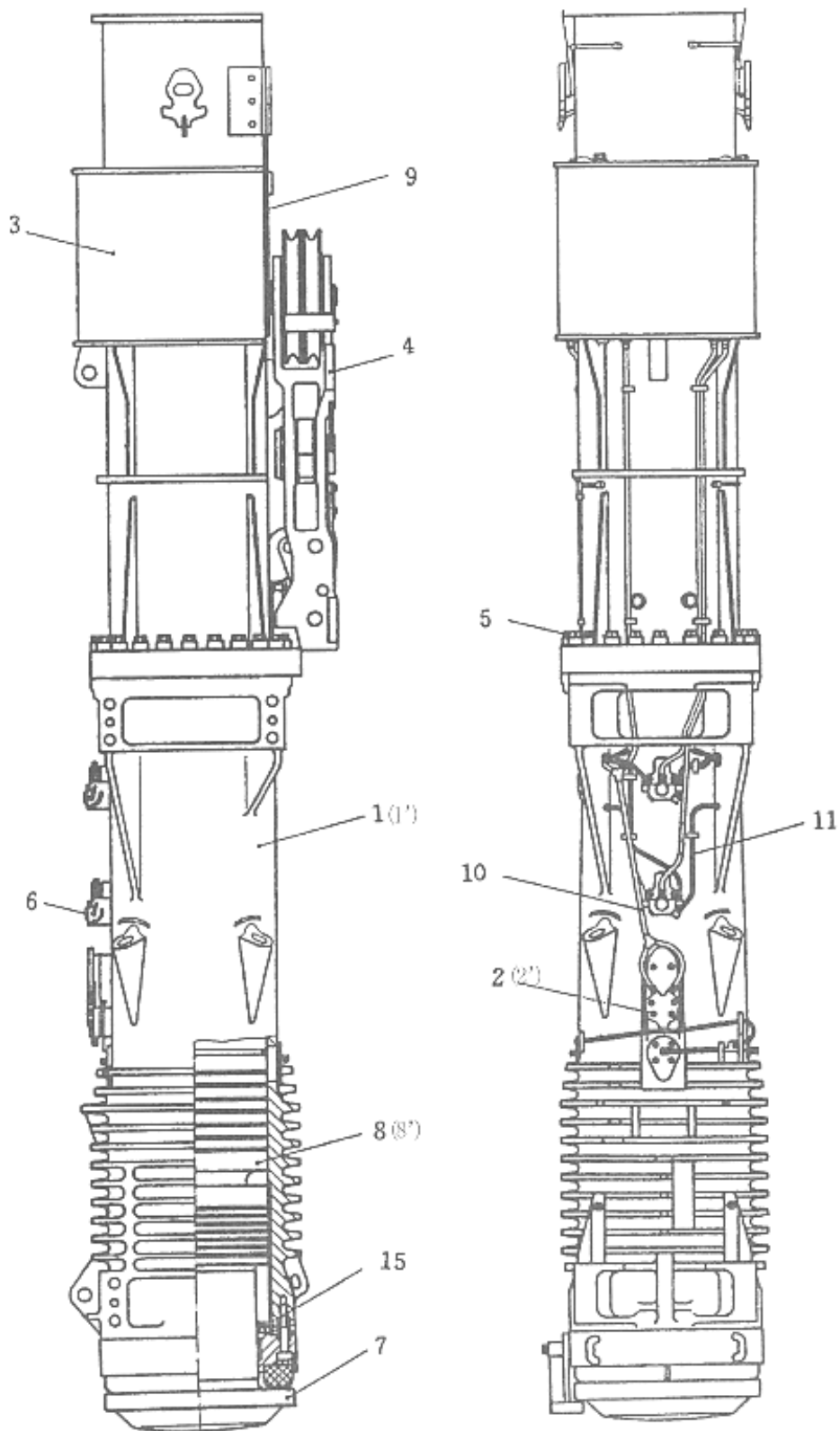


MODEL D160-42 DIESEL PILE HAMMER
D180-42

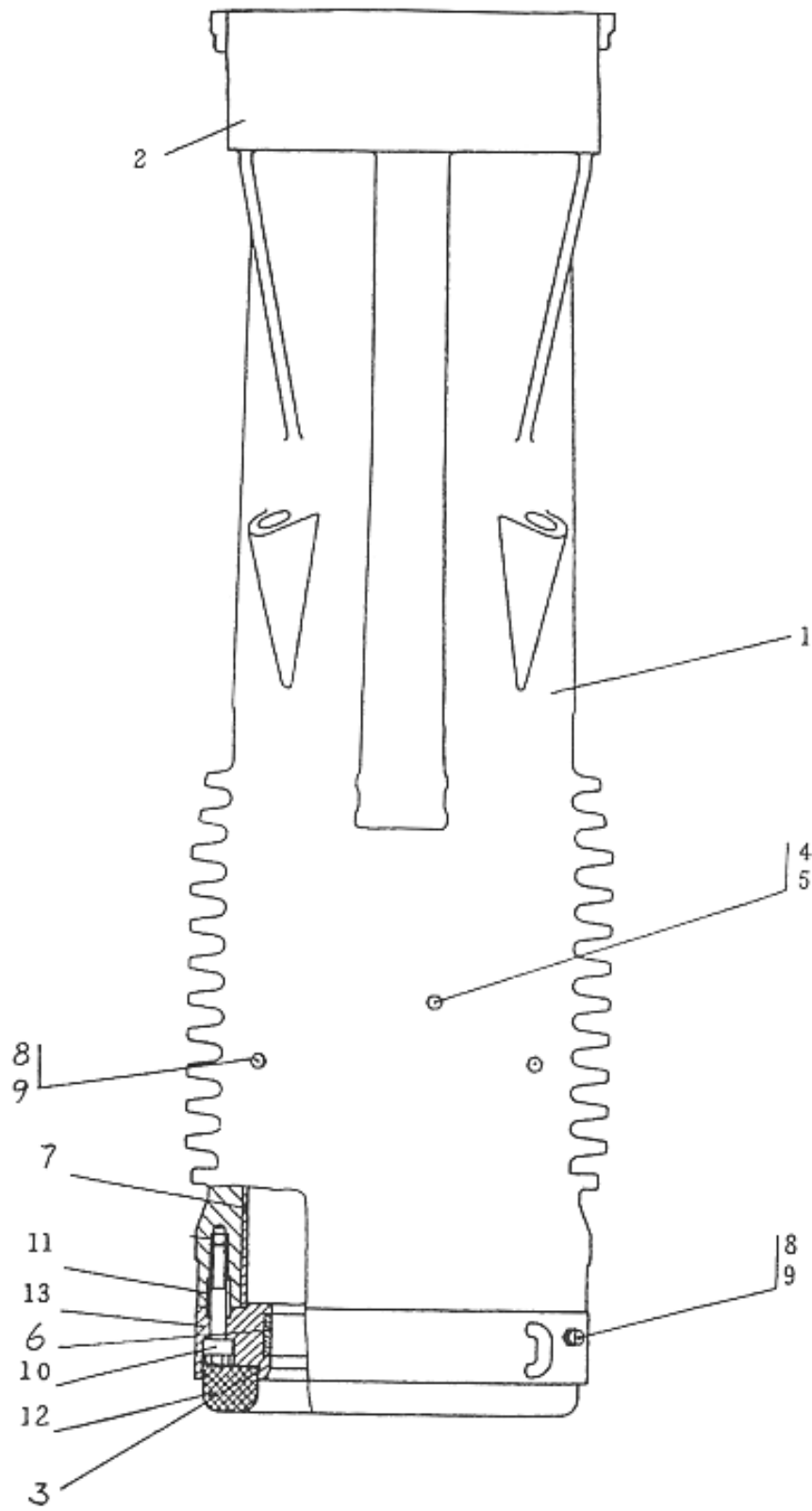


SPARE PARTS BOOK

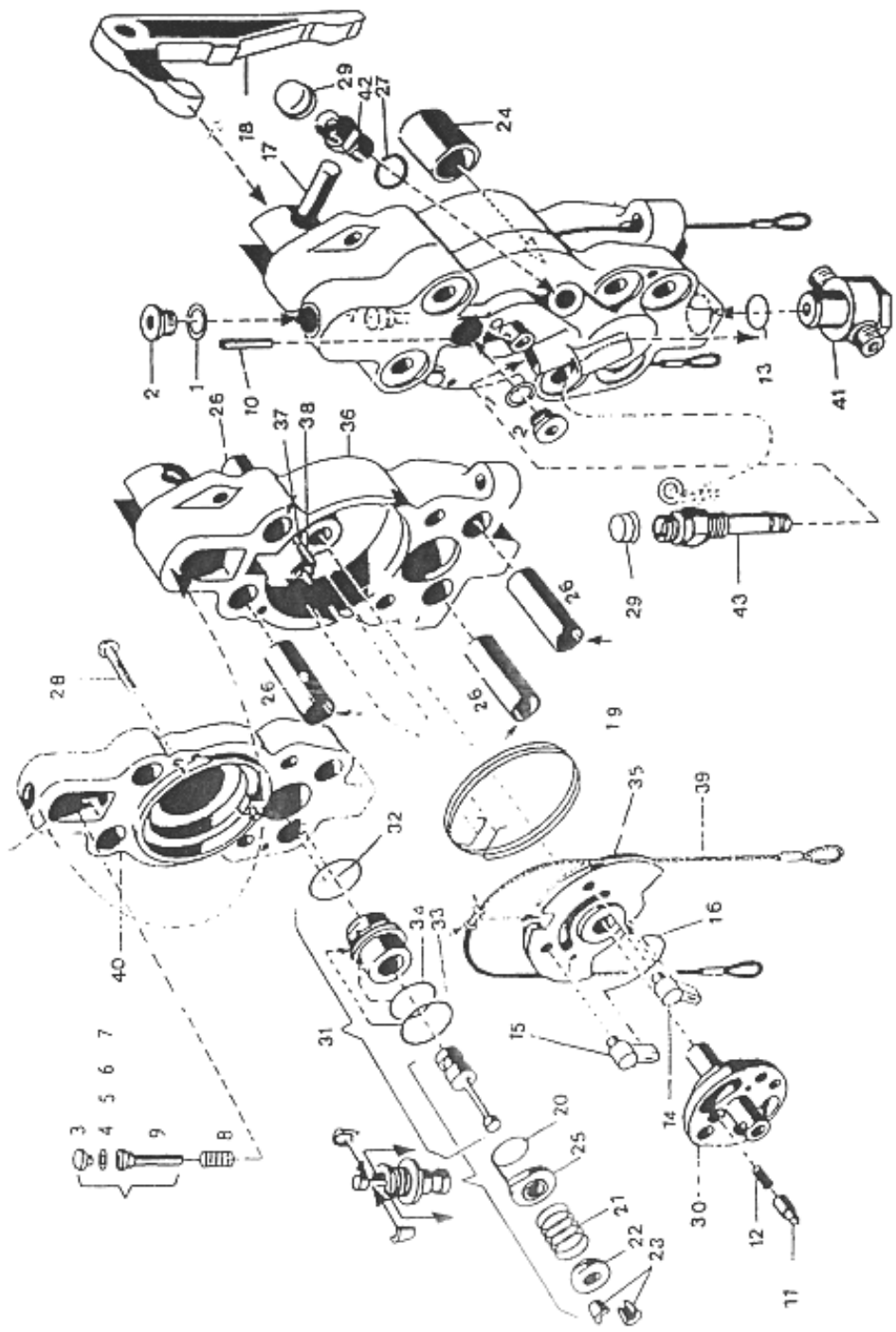
Corporate Office
7032 S. 196th Street
Kent, WA, USA 98032
Tel: 1-800-248-8498
Tel: 1-253-872-0141
Fax: 1-253-872-8710



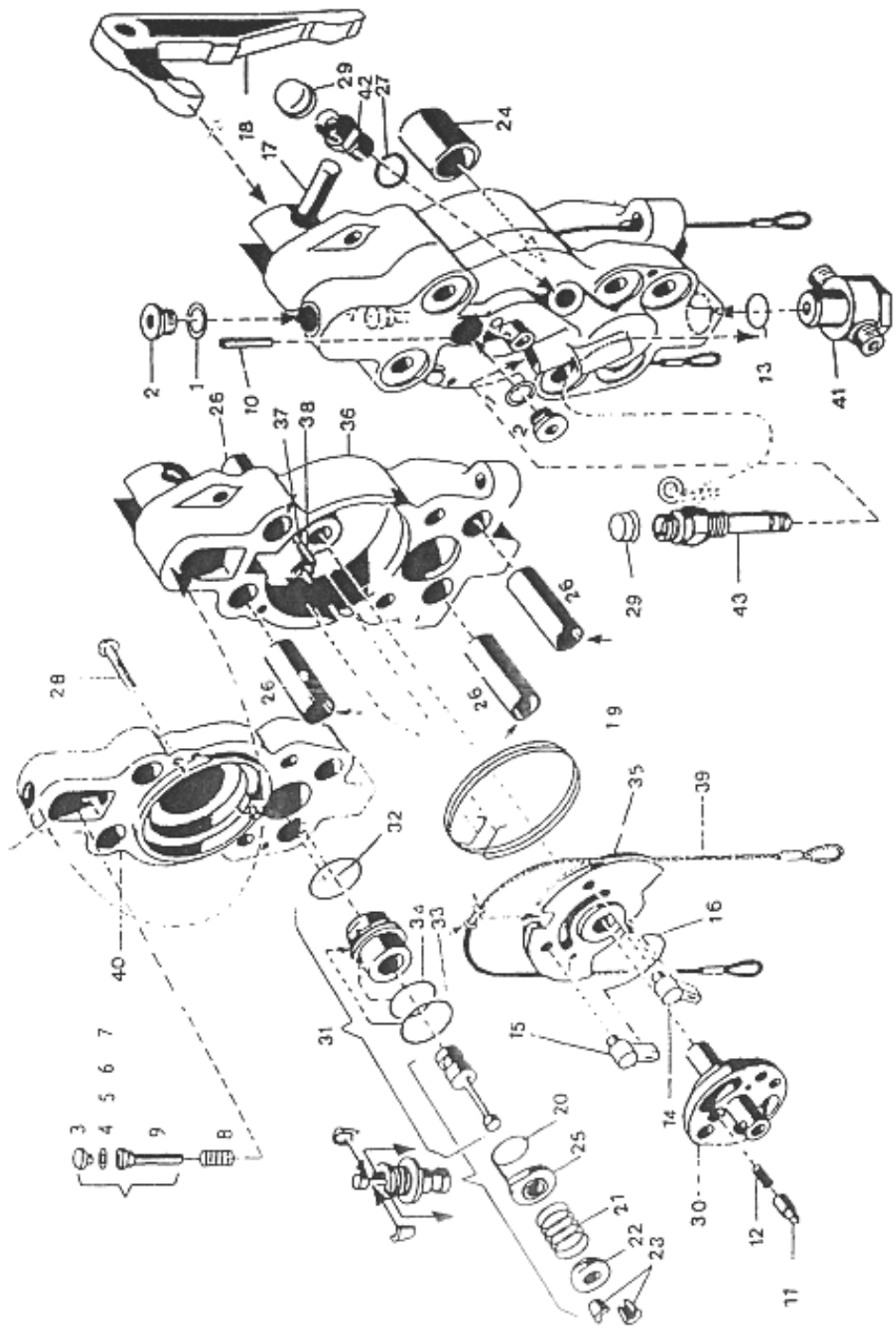
| No. | Parts-No. | Description | Qty. | Remark |
|-----|-----------|--|------|--------|
| - | 190.00 | Diesel Pile Hammer D160 | 1 | |
| -' | 191.00 | Diesel Pile Hammer D180 | 1 | |
| 1 | 190.01 | Cylinder Lower Part Complete (Page 5) For D160 | 1 | |
| 1' | 191.01 | Cylinder Lower Part Complete (Page 5) For D180 | 1 | |
| 2 | 190.02.00 | Variable-Delivery Fuel Pump Complete (Page 7) For D160 | 1 | |
| 2' | 191.02.00 | Variable-Delivery Fuel Pump Complete (Page 7) For D180 | 1 | |
| 3 | 190.03 | Cylinder Upper Part Complete (Page 15) | 1 | |
| 4 | 190.05 | Trip Gear Complete (Page 17) | 1 | |
| 5 | 190.06 | Set Connecting Parts Complete (Page 19) | 1 | |
| 6 | 190.07.00 | Lube Pump Complete (Page 21) | 2 | |
| 7 | 190.08 | Impact Block Complete (Page 23) | 1 | |
| 8 | 190.09 | Striking Weight (Piston) Complete (Page 23) For D160 | 1 | |
| 8' | 191.09 | Striking Weight (Piston) Complete (Page 23) For D180 | 1 | |
| 9 | 137.10.00 | Transport Protecting Kit Complete(Page 25) | 1 | |
| 10 | 190.11 | Fuel Line/Breather Line Complete (Page 27) | 1 | |
| 11 | 190.12 | Lube Line With Connecting Complete (Page 31) | 1 | |
| 12 | 190.00-1 | Inner Damping Ring | 1 | |
| * | 190.16.00 | Tool Box Complete (Page 33) | 1 | |



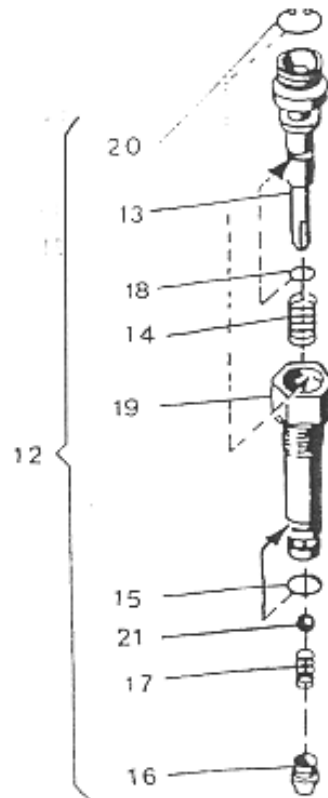
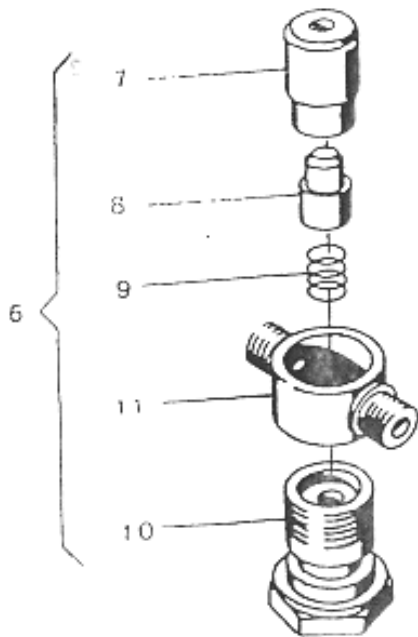
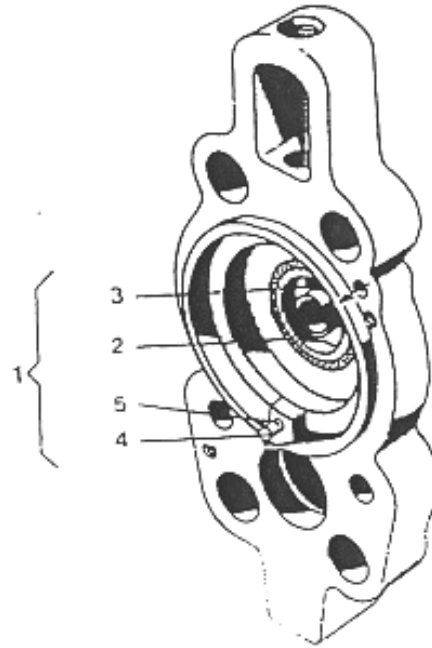
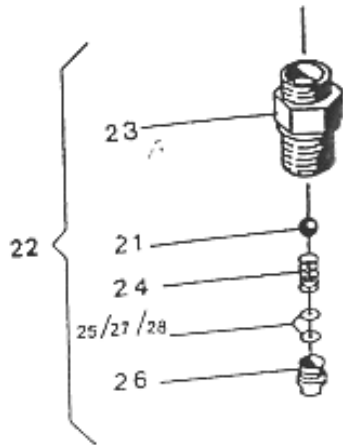
| No. | Parts-No. | Description | Qty. | Remark |
|-----|---------------|---------------------------------------|------|--------|
| - | 190.01.00 | Cylinder Lower Part Complete For D160 | 1 | |
| -' | 191.01.00 | Cylinder Lower Part Complete For D180 | 1 | |
| 1 | 190.01.01 | Cylinder Lower Part For D160 | 1 | |
| 1' | 191.01.01 | Cylinder Lower Part For D180 | 1 | |
| 2 | 137.01.01-3 | Threaded Insert M36×54 | 48 | |
| 3 | 190.01-2 | Sealing Ring | 1 | |
| 4 | JB/T1000-1977 | Plug Screw M1 8×1.5 | 1 | |
| 5 | 135.01.00-2 | Sealing Ring A18×22 | 1 | |
| 6 | 190.01.02-1 | Ring 2 Piece | 1 | |
| 7 | 190.01.01-2 | Cylinder Sleeve | 2 | |
| 8 | 135.01.02-2 | Reducer | 8 | |
| 9 | 135.01.02.02A | Grease Nipple M10×1 | 8 | |
| 10 | 136.01.00-2 | Reduced Screw M36 | 20 | |
| 10' | 138.01.00-2 | Reduced Screw M36 | 20 | |
| 11 | 136.01.01-4 | Dowel Pin | 44 | |
| 12 | 190.01-1 | Rubber Ring 2 Piece | 1 | |
| 13 | 190.01.02 | Cylinder End Ring 2 Piece Complete | 1 | |
| 14' | 191.06.00-2 | Reduced Screw M30 | 2 | |
| 15' | 191.01.03 | Thick Ring | 1 | |



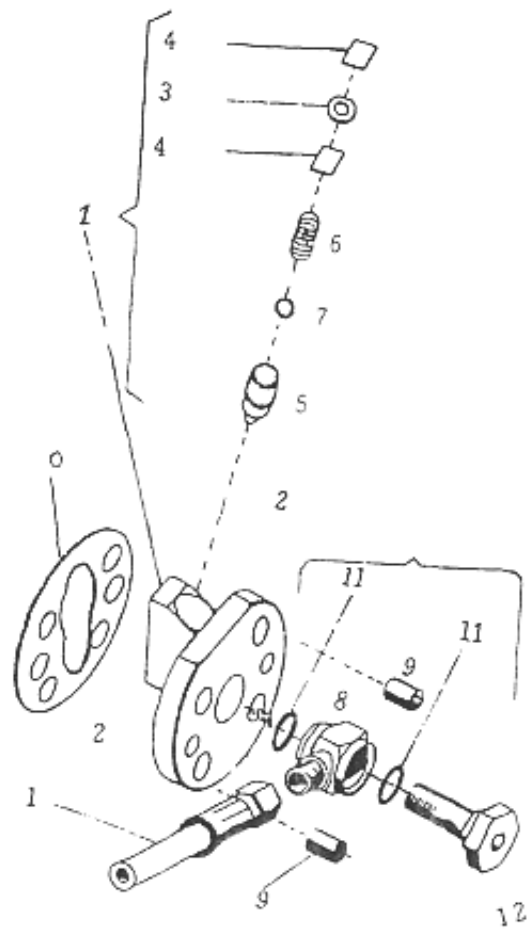
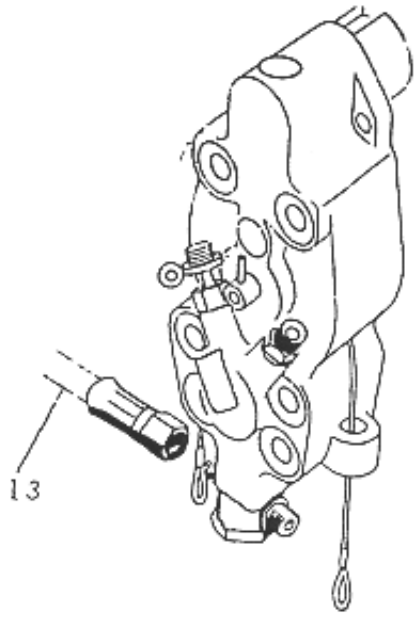
| No. | Parts-No. | Description | Qty. | Remark |
|-----|---------------|---|------|--------|
| - | 190.02.00 | Variable-Delivery Fuel Pump Complete For D160 | 1 | |
| -' | 191.02.00 | Variable-Delivery Fuel Pump Complete For D180 | 1 | |
| 1 | 135.02.00-1 | Sealing Ring A18×22 | 2 | |
| 2 | JB/T1001-77 | Plug Screw M18 | 2 | |
| 3 | 135.02.00-3 | Push Cap | 1 | |
| 4 | 135.02.00-4 | Adjusting Washer 8.2×19.8×0.3 | 1 | |
| 5 | 135.02.00-5 | Adjusting Washer 8.2×19.8×0.4 | 1 | |
| 6 | 135.02.00-6 | Adjusting Washer 8.2×19.8×0.5 | 1 | |
| 7 | 135.02.00-7 | Adjusting Washer 8.2×19.8×0.6 | 1 | |
| 8 | 135.02.00-8 | Pressure Spring 14.5×34×1 | 1 | |
| 9 | 135.02.00-9 | Push Rod | 1 | |
| 10 | GB/T879-1986 | Dowel Pin 6×40 | 1 | |
| 11 | 135.02.00-10 | Screen Pin | 1 | |
| 12 | 135.02.00-11 | Pressure Spring 5.5×20×1.2 | 1 | |
| 13 | 135.02.00-12 | Round Sealing Ring 22×3 | 1 | |
| 14 | 135.02.00-13 | Cam | 1 | |
| 15 | 135.02.00-14 | Cam | 1 | |
| 16 | 135.02.00-15 | Spring | 1 | |
| 17 | 135.02.00-16 | Pin | 1 | |
| 18 | 180.02.00-17A | Pump Lever | 1 | |
| 19 | 135.02.00-18 | Swivel Spring | 1 | |
| 20 | 2-137 | Round Sealing Ring | 1 | |
| 21 | 135.02.00-20 | Pressure Spring | 1 | |
| 22 | 180.02.00-21 | Spring Retaining Collar | 1 | |
| 23 | 180.02.00-22 | Conical Ring 2 Piece | 1 | |
| 24 | 180.02.00-23 | Guide Sleeve | 1 | |
| 25 | 180.02.00-24 | Holder Ring | 1 | |
| 26 | 135.02.00-25 | Dowel Pin 28×80 | 4 | |
| 27 | 135.02.00-29 | Sealing Ring A20×24 | 1 | |
| 28 | GB/T5782-1986 | Locking Screw M8×50 | 1 | |
| 29 | 135.02.00-31 | Protecting Cap | 2 | |
| 30 | 135.02.01 | Switch Shaft | 1 | |



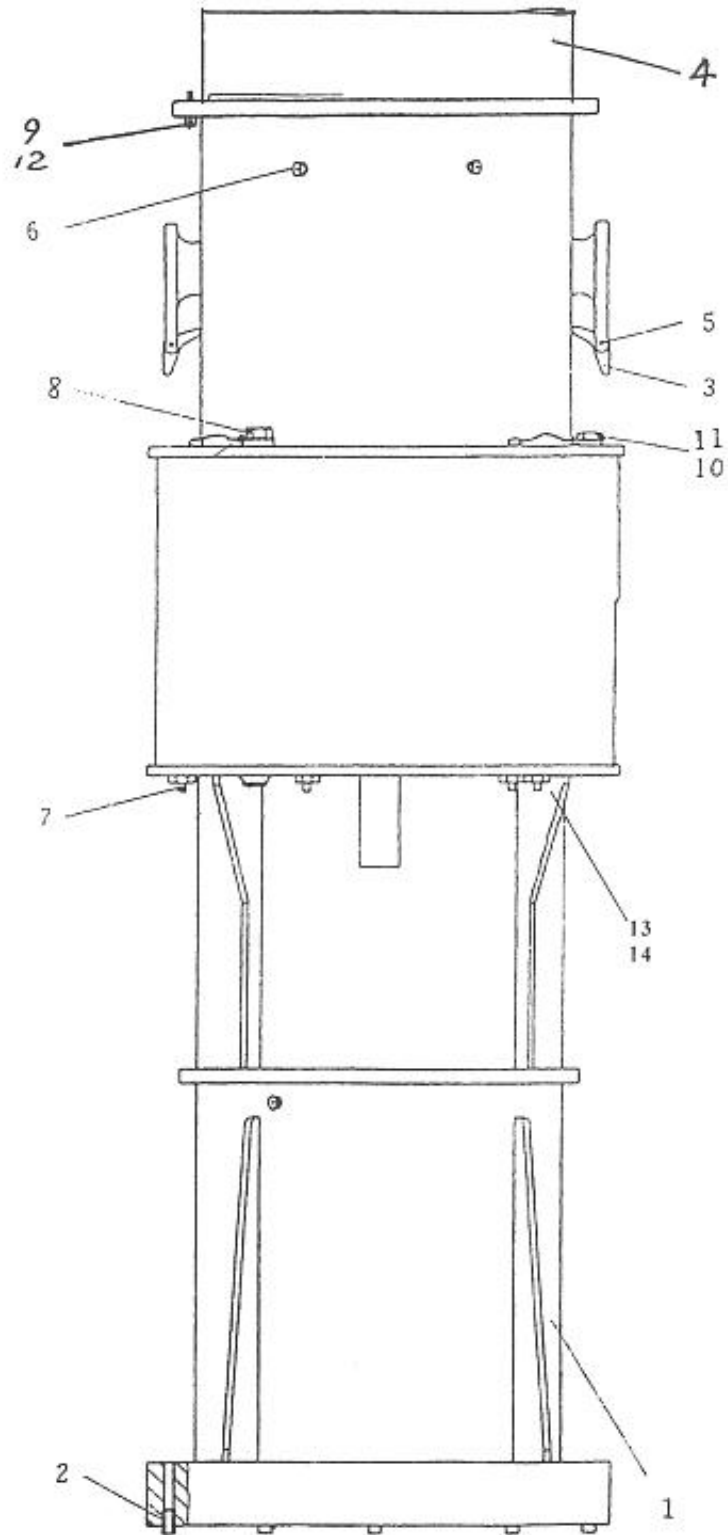
| No. | Parts-No. | Description | Qty. | Remark |
|-----|--------------|--|------|--------|
| 31 | 190.02.01 | Pump Element Complete For D160 | 1 | |
| 31' | 191.02.01 | Pump Element Complete For D180 | 1 | |
| 32 | 2-229 | Round Sealing Ring 59.92×3.53 | 1 | |
| 33 | 2-143 | Round Sealing Ring 61.60×2.62 | 1 | |
| 34 | 2-146 | Round Sealing Ring 66.34×2.62 | 1 | |
| 35 | 135.02.04 | Rope Disc Complete | 1 | |
| 36 | 135.02.05 | Pump Body Complete | 1 | |
| 37 | GB/T879-1986 | Dowel Pin 6×28 | 1 | |
| 38 | GB/T879-1986 | Dowel Pin 5×40 | 1 | |
| 39 | 180.02.11 | Regulation Rope | 2 | |
| 40 | 180.02.02A | Pump Cover Complete (Page 9) | 1 | |
| 41 | 190.02.06 | Check-Non-Return Valve Complete (Page 9) | 1 | |
| 42 | 135.02.09 | Suction Valve Complete (Page 9) | 1 | |
| 43 | 180.02.10 | Stop Valve Complete (Page 9) | 1 | |



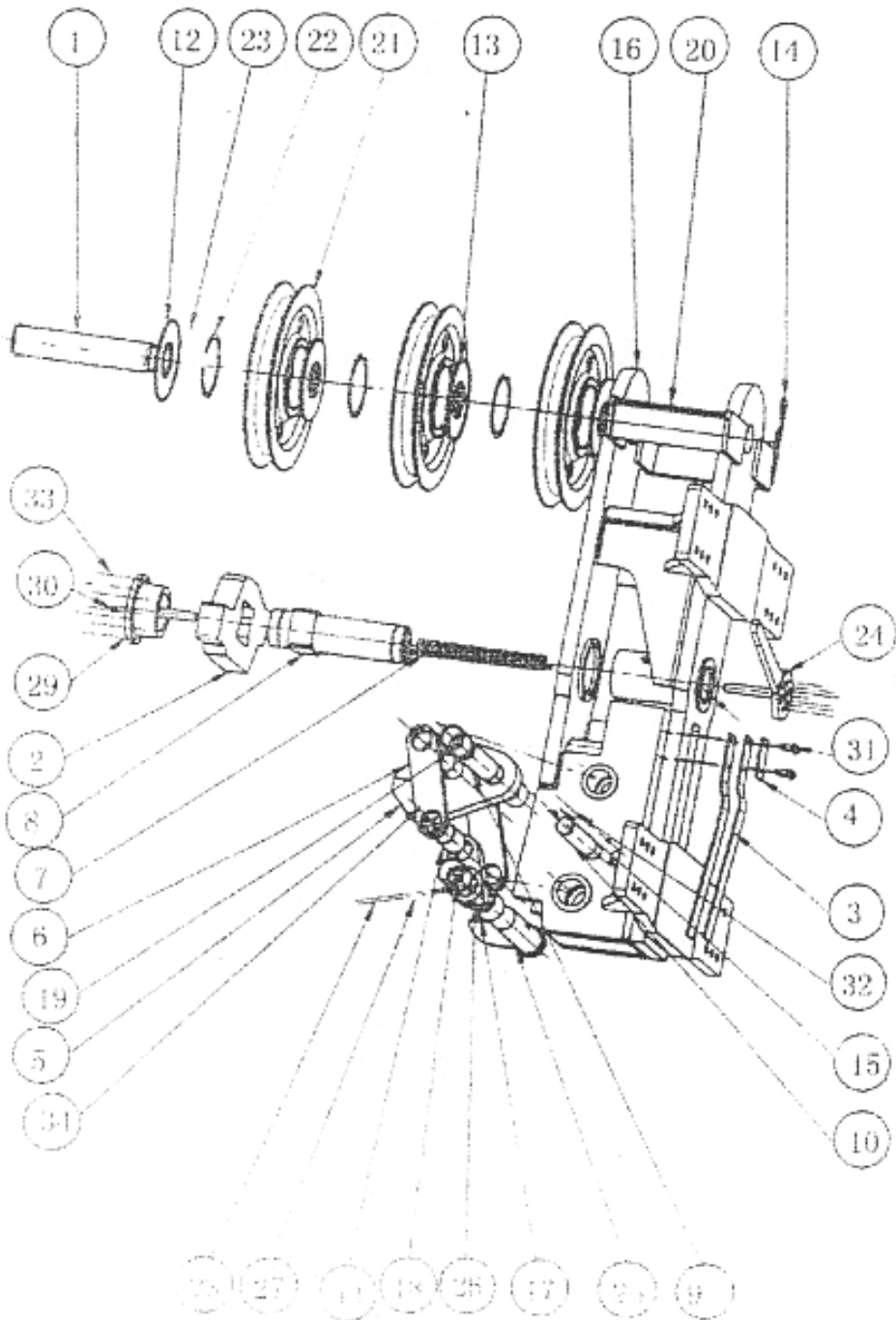
| No. | Parts-No. | Description | Qty. | Remark |
|-----|--------------|---------------------------------|------|--------|
| 1 | 180.02.02 | Pump Cover Complete | 1 | |
| 2 | 135.02.02-2 | Ring | 1 | |
| 3 | 135.02.02-3 | Stop Pin | 1 | |
| 4 | 135.02.02.01 | Stop | 1 | |
| 5 | GB/T879-1986 | Dowel Pin 10×32 | 1 | |
| 6 | 190.02.06 | Check-Non-Return Valve Complete | 1 | |
| 7 | 135.02.06-1 | Housing | 1 | |
| 8 | 135.02.06-2 | Valve Piston | 1 | |
| 9 | 135.02.06-3 | Pressure Spring | 1 | |
| 10 | 135.02.06-4 | Screw | 1 | |
| 11 | 135.02.06-4 | Ring Type Nipple | 1 | |
| 12 | 180.02.10 | Stop Valve Complete | 1 | |
| 13 | 180.02.10-1 | Valve | 1 | |
| 14 | 180.02.10-2 | Pressure Spring | 1 | |
| 15 | 2-114 | Round Sealing Ring 15.54×2.62 | 1 | |
| 16 | 180.02.10-4 | Threaded Plug | 1 | |
| 17 | 180.02.10-5 | Pressure Spring | 1 | |
| 18 | P12.5 | Round Sealing Ring 12.3×2.4 | 1 | |
| 19 | 180.02.10-7 | Valve Screw | 1 | |
| 20 | GB/T893-1986 | Circlip 22×1 | 1 | |
| 21 | GB/T308-1989 | Ball Φ10.319 | 2 | |
| 22 | 135.02.09 | Suction Valve Complete | 1 | |
| 23 | 135.02.09-1 | Sleeve | 1 | |
| 24 | 135.02.09-2 | Pressure Spring 7.3×8×0.7 | 1 | |
| 25 | 135.02.09-3 | Washer | 1 | |
| 26 | 135.02.09-4 | Threaded Plug | 1 | |
| 27 | 135.02.09-5 | Washer | 1 | |
| 28 | 135.02.09-6 | Adjusting Washer | 1 | |



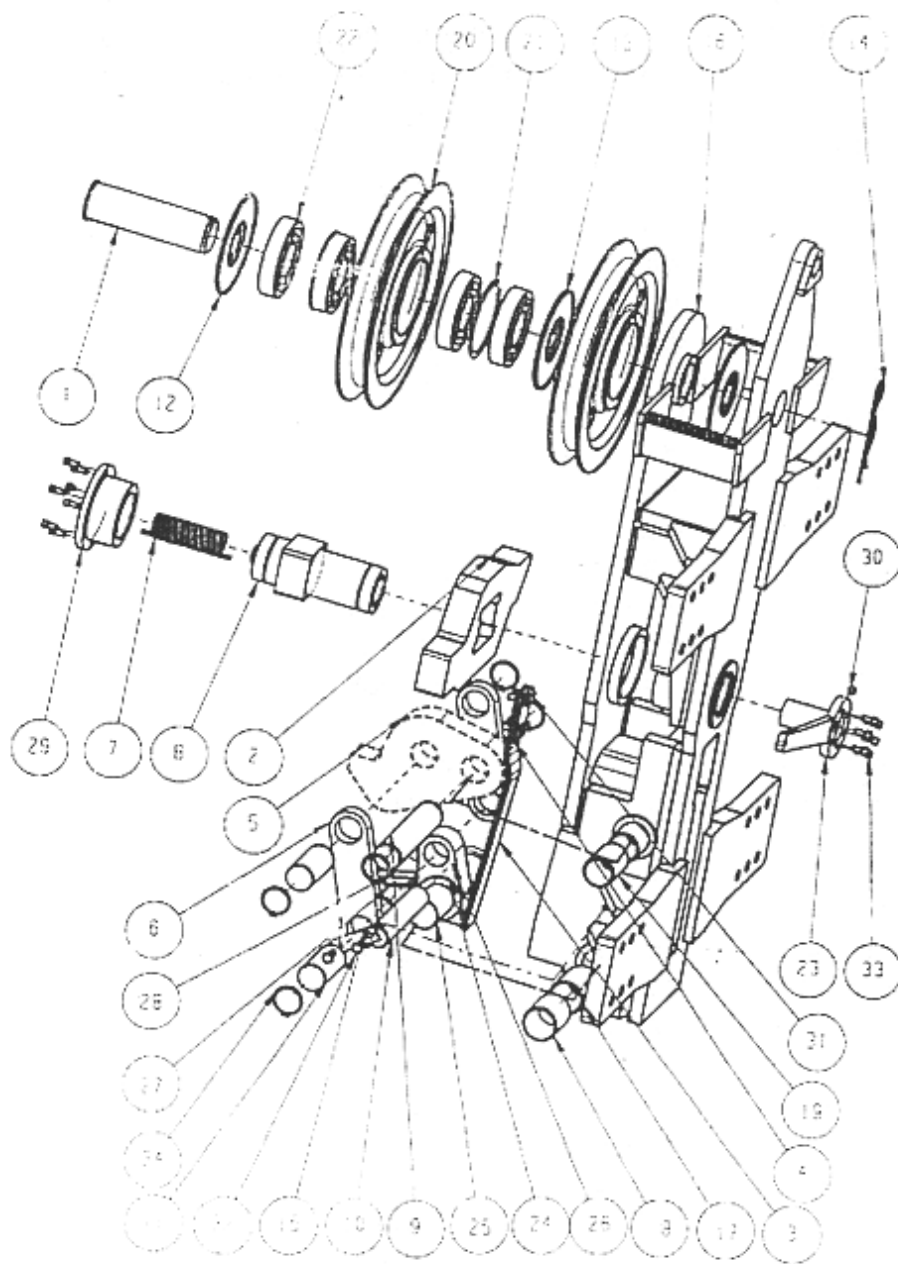
| No. | Parts-No. | Description | Qty. | Remark |
|-----|--------------|-----------------------------------|------|--------|
| 1 | 190.11.04 | Injection Valve Complete For D160 | 4 | |
| 1' | 191.11.04 | Injection Valve Complete For D180 | 4 | |
| 2 | 190.11.04-1 | Injection Valve Body For D160 | 4 | |
| 2' | 191.11.04-1 | Injection Valve Body For D180 | 4 | |
| 3 | 135.02.07-2A | Spring Washer | 4 | |
| 4 | 135.02.07-3 | Locking Plate | 8 | |
| 5 | 135.02.07-4 | Valve Piston | 4 | |
| 6 | 135.02.07-5 | Pressure Spring | 4 | |
| 7 | 135.02.07-7 | Adjusting Washer | 8 | |
| 8 | 135.02.00-26 | Threaded Pipe Joint | 4 | |
| 9 | 135.02.00-27 | Dowel Pin 21×28 | 8 | |
| 10 | 135.02.00-28 | Sealing | 4 | |
| 11 | 135.02.00-32 | Round Sealing Ring 17×1.5 | 8 | |
| 12 | 135.02.00-33 | Hollow Screw | 4 | |
| 13 | 190.11.02 | High Pressure Hose Line (1200mm) | 1 | |
| 14 | 190.11.01 | High Pressure Hose Line (550mm) | 4 | |
| 15 | 137.11.01 | High Pressure Hose Line (920mm) | 1 | |



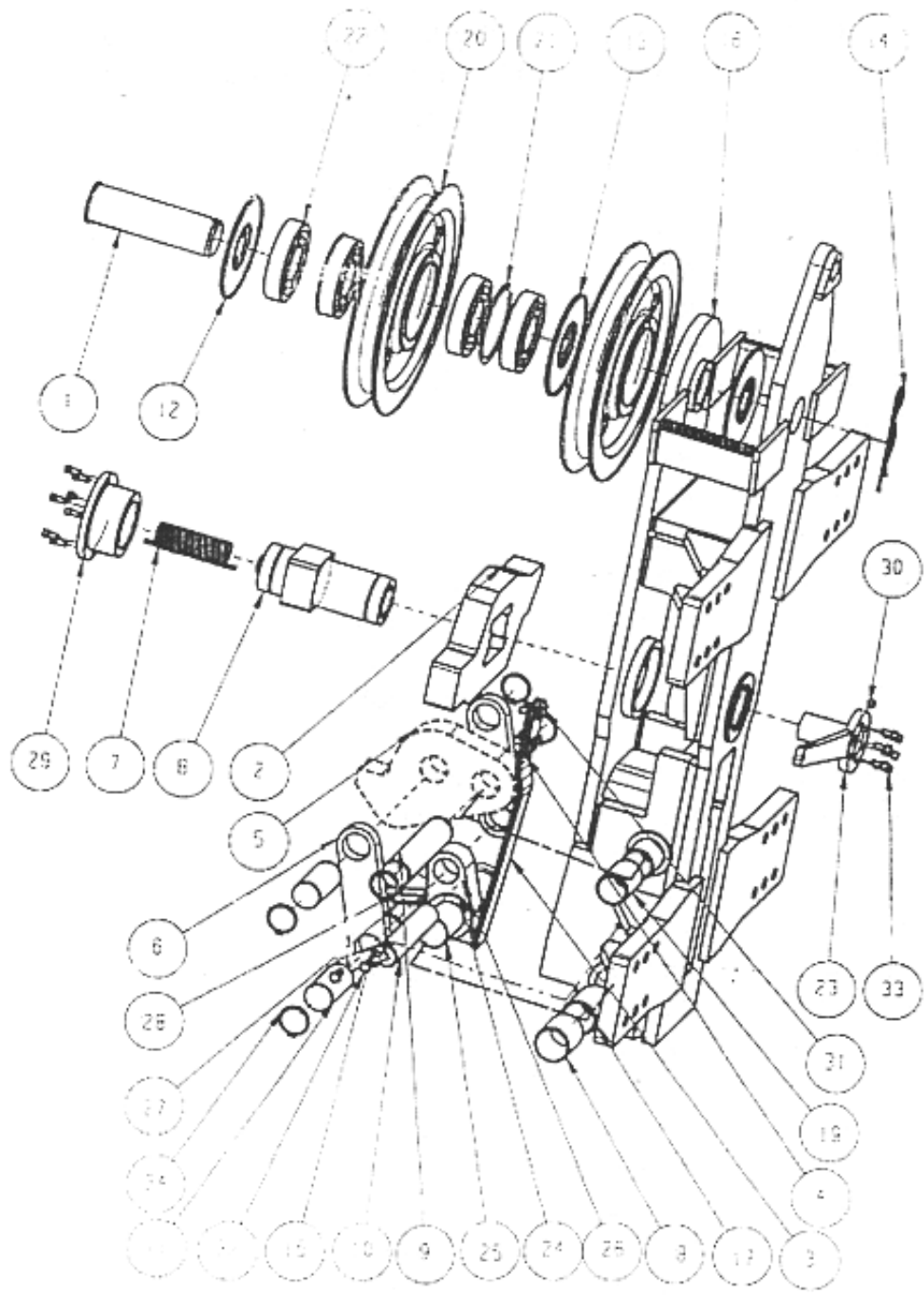
| No. | Parts-No. | Description | Qty. | Remark |
|-----|---------------|------------------------------|------|--------|
| - | 190.03 | Cylinder Upper Part Complete | 1 | |
| 1 | 190.03.01 | Cylinder Upper Port | 1 | |
| 2 | 136.01.01-4 | Dowel Pin | 8 | |
| 3 | 190.03-1 | Ratchet | 2 | |
| 4 | 190.03.07 | Extend Cylinder | 1 | |
| 5 | 190.03-3 | Dowel Pin 13×80 | 2 | |
| 6 | 135.01.02.02A | Grease Nipple M10×L | 10 | |
| 7 | 180.03.02-1 | Filter Elbow | 2 | |
| 8 | 135.03.06 | Plug Screw “Diesel” Complete | 1 | |
| 9 | GB/T5782-1986 | Screw M24×130 | 12 | |
| 10 | 135.03.04-1 | Plug Screw “Oil” Complete | 1 | |
| 11 | 135.03.05 | Plug Screw “Diesel” Complete | 1 | |
| 12 | GB/T6185-1986 | Nut M30 | 12 | |
| 13 | 135.03.02 | Filter Elbow | 2 | |
| 14 | JB/T987-1977 | Washer 36 | 4 | |



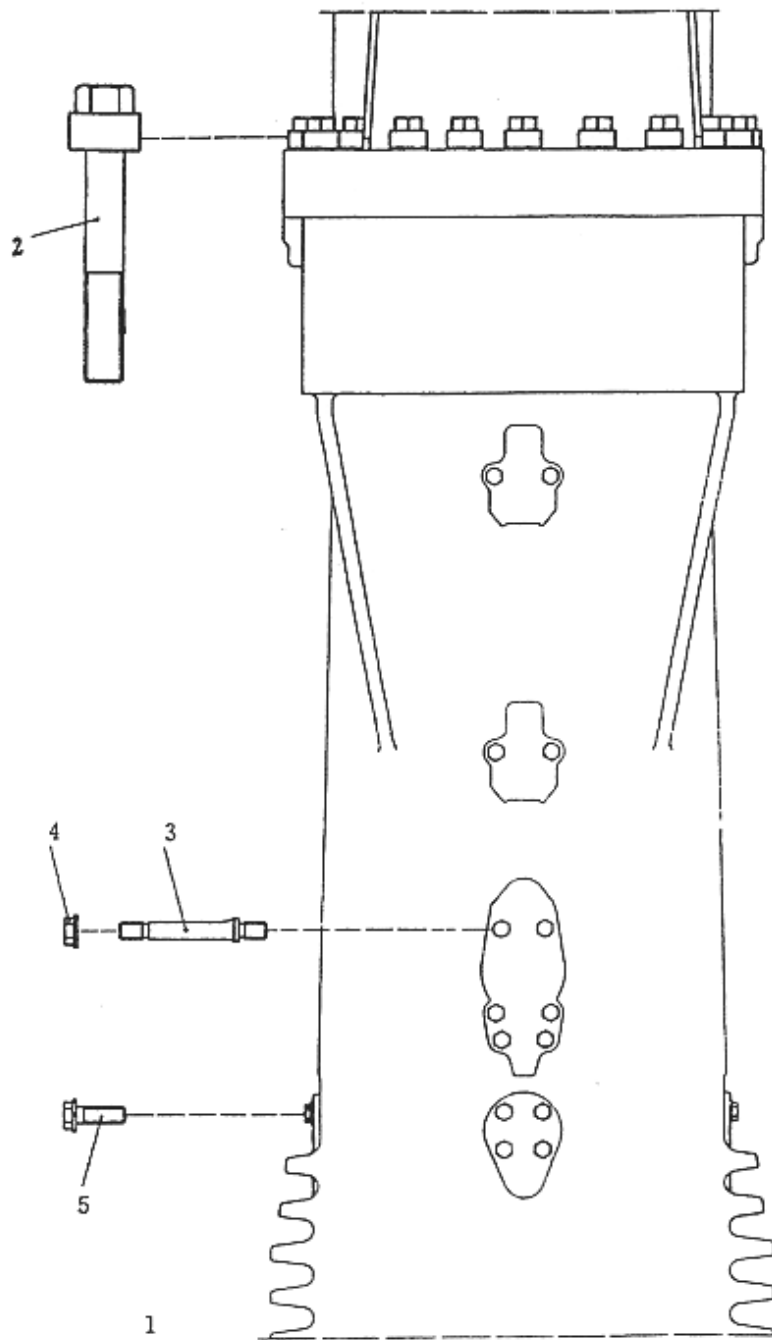
| No. | Parts-No. | Description | Qty. | Remark |
|-----|----------------|--------------------------------|------|--------|
| - | 190.05 | Trip Gear Complete (3 Sheaves) | 1 | |
| 1 | 190.05 -1 | Sheave Pin | 1 | |
| 2 | 190.05-2 | Driving Pin | 1 | |
| 3 | 190.05-3 | Leaf Spring | 2 | |
| 4 | 190.05-4 | Plate | 1 | |
| 5 | 190.05-5 | Pawl | 1 | |
| 6 | 190.05-6 | Shackle | 2 | |
| 7 | 190.05-7 | Torsion Spring | 1 | |
| 8 | 190.05-8 | Shaft | 1 | |
| 9 | 190.05-9 | Shaft | 1 | |
| 10 | 190.05-10 | Joint Bolt | 1 | |
| 11 | 190.05-11 | Shaft | 2 | |
| 12 | 190.05-12 | Circlip | 2 | |
| 13 | 190.05-13 | Circlip | 2 | |
| 14 | 190.05-14 | Spring Bolt | 2 | |
| 15 | 190.05-15 | Baffle 60 | 2 | |
| 16 | 190.05.01 | Guide Body | 1 | |
| 17 | 190.05.01-12 | Sleeve | 1 | |
| 18 | 190.05.01-13 | Sleeve | 1 | |
| 19 | 190.05.01-15 | Sleeve | 2 | |
| | 190.05.02 | Rope Guard | 2 | |
| | 190.05.03 | Rope Pulley Complete | 3 | |
| 20 | 190.05.03-1 | Sheave | 3 | |
| 21 | 190.05.03-2 | Partition Loop | 3 | |
| 22 | GB276-1994 | Bearing 60320 | 6 | |
| 23 | 190.05.04 | Lever | 1 | |
| 24 | 190.05.05 | Pawl Lever | 1 | |
| 25 | 190.05.05.01 | Lever Pin | 1 | |
| 26 | 190.05.05-1 | Detent | 1 | |
| 27 | GB/T879-1986 | Dowel Pin 10×100 | 2 | |
| 28 | GB/T879-1986 | Dowel Pin 16×100 | 2 | |
| 29 | 190.05.06 | Flange Complete | 1 | |
| 30 | 135.01.02.02A | Grease Nipple M10×L | 2 | |
| 31 | 135.06.00-6 | Locking Screw M16×45 | 4 | |
| 32 | GB5781-86 | Locking Screw M16×35 | 2 | |
| 33 | GB/T70-1985 | Cylinder M12×30 | 12 | |
| 34 | GB/T894.1-1986 | Circlip 75 | 6 | |



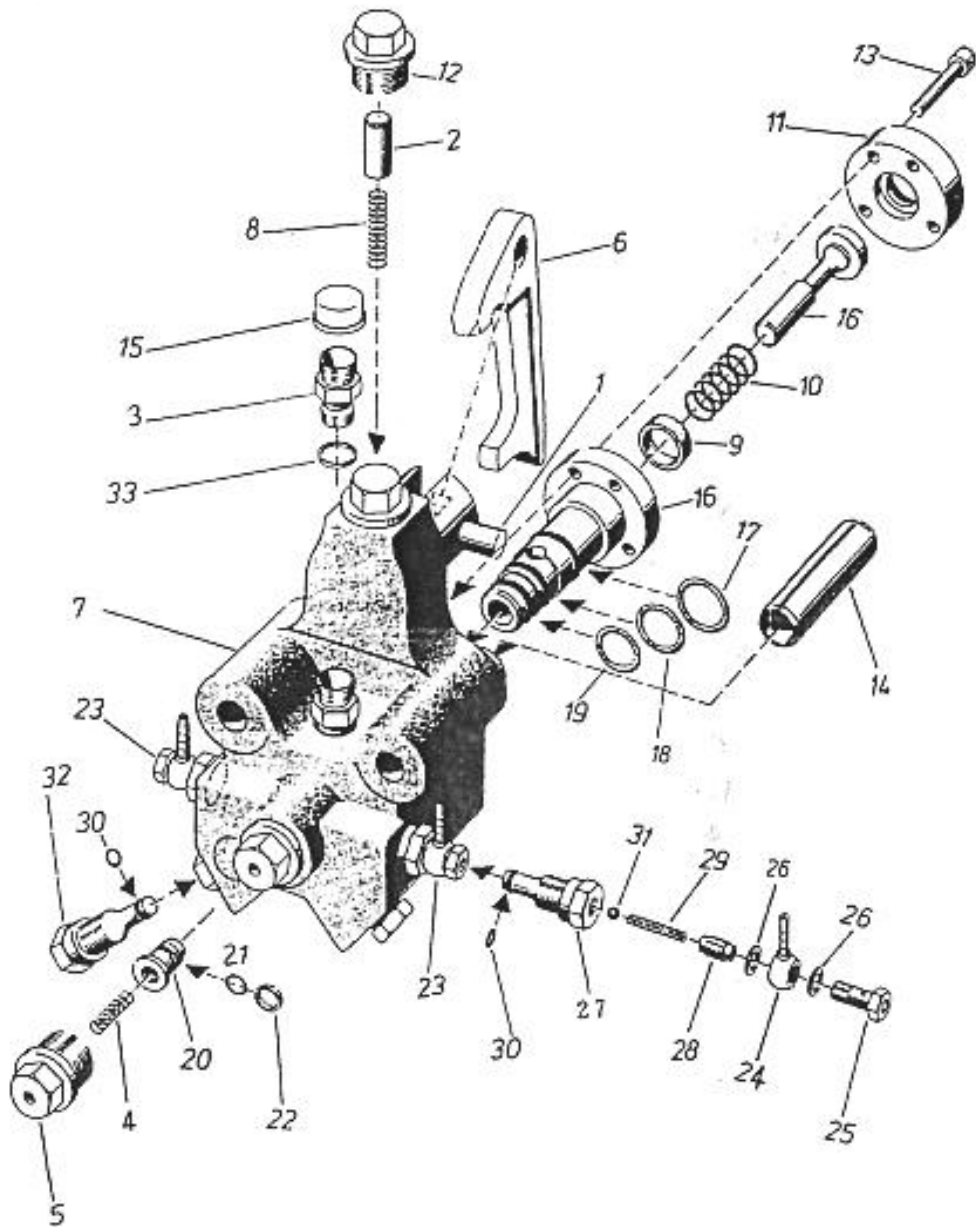
| No. | Parts-No. | Description | Qty. | Remark |
|-----|----------------|--------------------------------|------|--------|
| - | 190.05R | Trip Gear Complete (2 Sheaves) | 1 | |
| 1 | 190.05 -1R | Sheave Pin | 1 | |
| 2 | 190.05-2 | Driving Pin | 1 | |
| 3 | 190.05-3 | Leaf Spring | 2 | |
| 4 | 190.05-4 | Plate | 1 | |
| 5 | 190.05-5 | Pawl | 1 | |
| 6 | 190.05-6 | Shackle | 2 | |
| 7 | 190.05-7 | Torsion Spring | 1 | |
| 8 | 190.05-8R | Shaft | 1 | |
| 9 | 190.05-9 | Shaft | 1 | |
| 10 | 190.05-10 | Joint Bolt | 1 | |
| 11 | 190.05-11 | Shaft | 1 | |
| 12 | 190.05-12R | Circlip | 2 | |
| 13 | 190.05-13 | Circlip | 2 | |
| 14 | 190.05-14 | Spring Bolt | 1 | |
| 15 | 190.05-15 | Baffle 60 | 1 | |
| 16 | 190.05.01R | Guide Body | 1 | |
| 17 | 190.05.01-12 | Sleeve | 1 | |
| 18 | 190.05.01-13 | Sleeve | 1 | |
| 19 | 190.05.01-15 | Sleeve | 2 | |
| | 190.05.03 | Rope Pulley Complete | 2 | |
| 20 | 190.05.03-1 | Sheave | 2 | |
| 21 | 190.05.03-2 | Partition Loop | 2 | |
| 22 | GB276-1994 | Bearing 60320 | 4 | |
| 23 | 190.05.04R | Lever | 1 | |
| 24 | 190.05.05 | Pawl Lever | 1 | |
| 25 | 190.05.05.01 | Lever Pin | 1 | |
| 26 | 190.05.05-1 | Detent | 1 | |
| 27 | GB/T879-1986 | Dowel Pin 10×100 | 2 | |
| 28 | GB/T879-1986 | Dowel Pin 16×100 | 2 | |
| 29 | 190.05.06R | Flange Complete | 1 | |
| 30 | 135.01.02.02A | Grease Nipple M10×L | 2 | |
| 31 | 135.06.00-6 | Locking Screw M16×35 | 2 | |
| 32 | GB5781-86 | Locking Screw M16×45 | 4 | |
| 33 | GB/T70-1985 | Cylinder M12×30 | 12 | |
| 34 | GB/T894.1-1986 | Circlip 75 | 6 | |



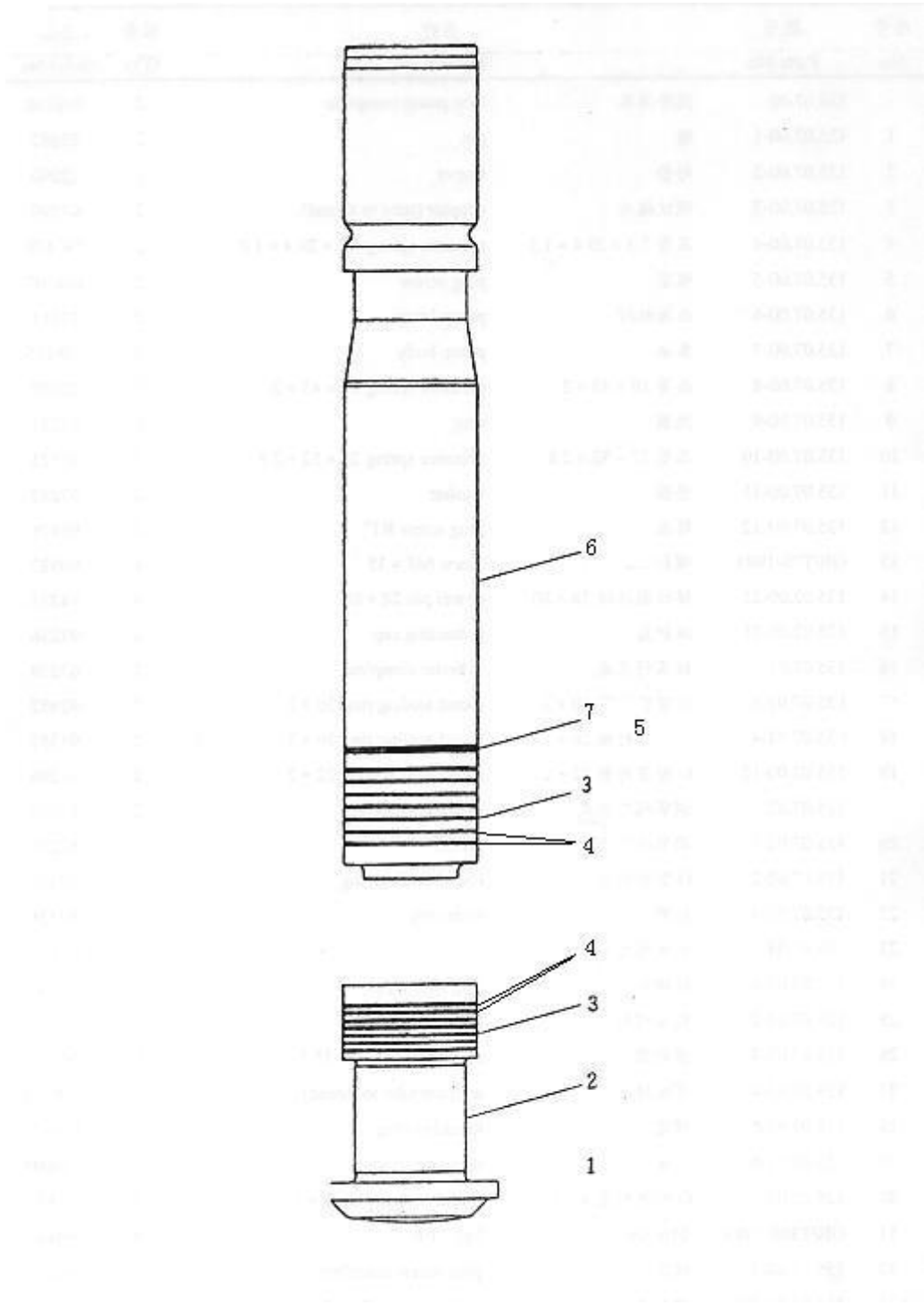
| No. | Parts-No. | Description | Qty. | Remark |
|-----|----------------|--------------------------------|------|--------|
| - | 190.05RZ | Trip Gear Complete (2 Sheaves) | 1 | |
| 1 | 190.05 -1RZ | Sheave Pin | 1 | |
| 2 | 190.05-2 | Driving Pin | 1 | |
| 3 | 190.05-3 | Leaf Spring | 2 | |
| 4 | 190.05-4 | Plate | 1 | |
| 5 | 190.05-5 | Pawl | 1 | |
| 6 | 190.05-6 | Shackle | 2 | |
| 7 | 190.05-7 | Torsion Spring | 1 | |
| 8 | 190.05-8R | Shaft | 1 | |
| 9 | 190.05-9 | Shaft | 1 | |
| 10 | 190.05-10 | Joint Bolt | 1 | |
| 11 | 190.05-11 | Shaft | 1 | |
| 12 | 190.05-12RZ | Circlip | 2 | |
| 13 | 190.05-13 RZ | Circlip | 2 | |
| 14 | 190.05-14 RZ | Spring Bolt | 1 | |
| 15 | 190.05-15 | Baffle 60 | 1 | |
| 16 | 190.05.01RZ | Guide Body | 1 | |
| 17 | 190.05.01-12 | Sleeve | 1 | |
| 18 | 190.05.01-13 | Sleeve | 1 | |
| 19 | 190.05.01-15 | Sleeve | 1 | |
| | 190.05.03RZ | Rope Pulley Complete | 2 | |
| 20 | 190.05.03-1RZ | Sheave | 2 | |
| 21 | 190.05.03-2RZ | Partition Loop | 2 | |
| 22 | GB276-1994 | Bearing 60320 | 4 | |
| 23 | 190.05.04R | Lever | 1 | |
| 24 | 190.05.05 | Pawl Lever | 1 | |
| 25 | 190.05.05.01 | Lever Pin | 1 | |
| 26 | 190.05.05-1 | Detent | 1 | |
| 27 | GB/T879-1986 | Dowel Pin 10×100 | 2 | |
| 28 | GB/T879-1986 | Dowel Pin 16×100 | 2 | |
| 29 | 190.05.06R | Flange Complete | 1 | |
| 30 | 135.01.02.02A | Grease Nipple M10×L | 2 | |
| 31 | 135.06.00-6 | Locking Screw M16×35 | 2 | |
| 32 | GB5781-86 | Locking Screw M16×45 | 4 | |
| 33 | GB/T70-1985 | Cylinder M12×30 | 12 | |
| 34 | GB/T894.1-1986 | Circlip 75 | 6 | |



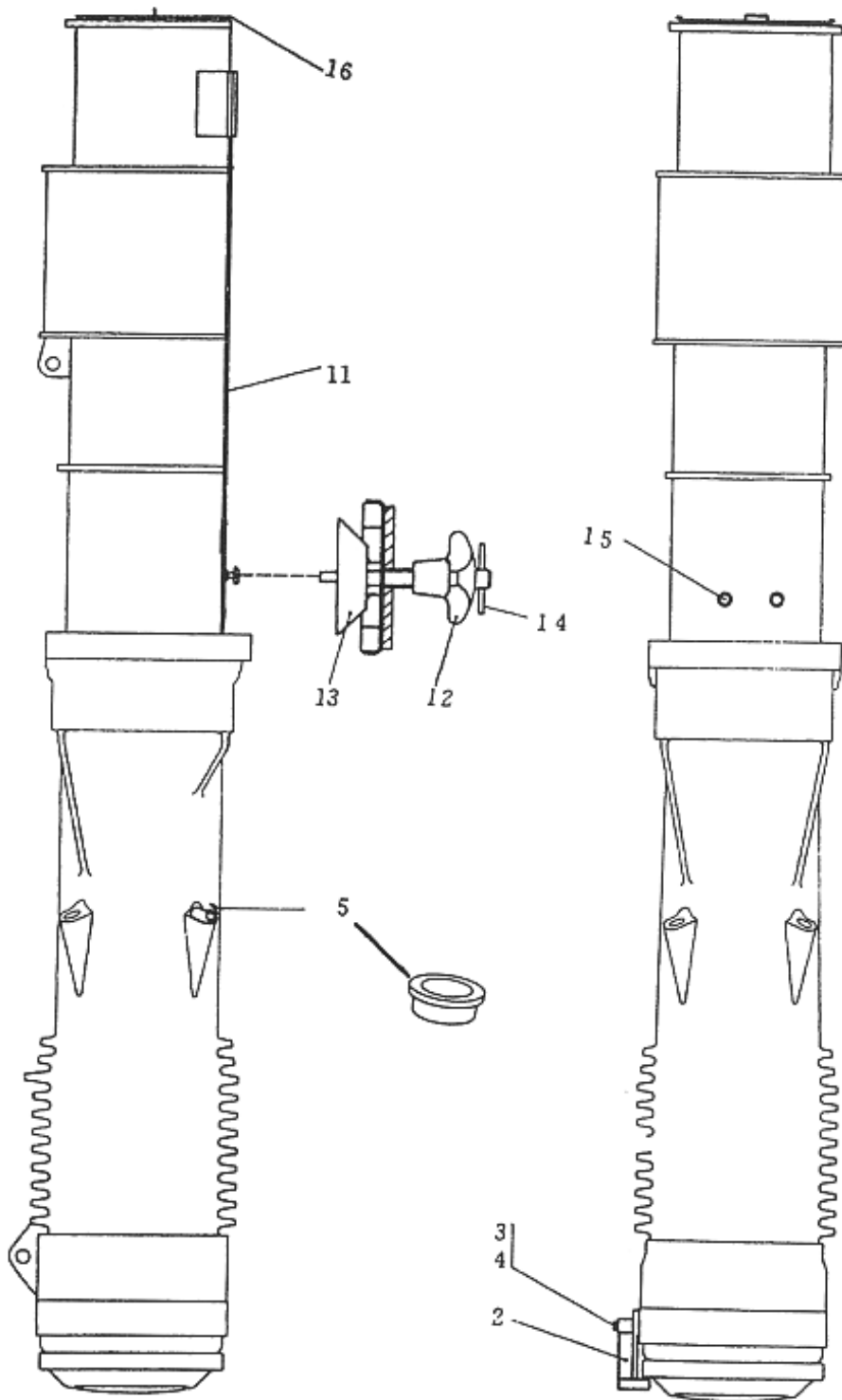
| No. | Parts-No. | Description | Qty. | Remark |
|-----|-------------|-------------------------------|------|--------|
| 1 | 190.06 | set connecting parts complete | 1 | |
| 2 | 136.01.00-2 | screw M36 | 18 | |
| 3 | 135.06.00-1 | stud bolt M16 | 10 | |
| 4 | 135.06.00-5 | locking nut M16 | 10 | |
| 5 | 135.06.00-6 | locking screw M16×45 | 18 | |



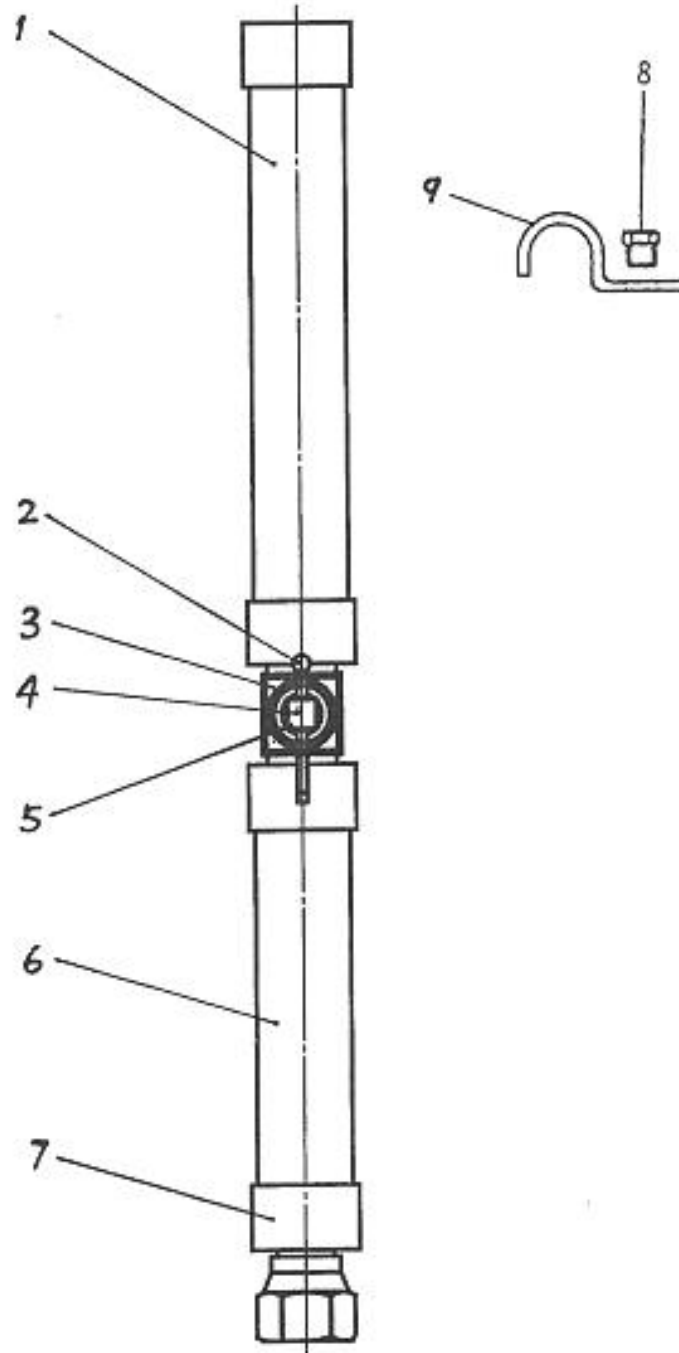
| No. | Parts-No. | Description | Qty. | Remark |
|-----|--------------|------------------------------|------|--------|
| - | 190.07.00 | Lube Pump Complete | 2 | |
| 1 | 135.07.00-1 | Pin | 2 | |
| 2 | 135.07.00-2 | Sleeve | 2 | |
| 3 | 135.07.00-3 | Adaptor (Tube To Thread) | 2 | |
| 4 | 135.07.00-4 | Pressure Spring 7.3×29.4×1.2 | 2 | |
| 5 | 190.07.00-5 | Plug Screw | 2 | |
| 6 | 135.07.00-6 | Pump Lever | 2 | |
| 7 | 180.07.00-7 | Pump Body | 2 | |
| 8 | 135.07.00-8 | Pressure Spring 10×43×2 | 2 | |
| 9 | 135.07.00-9 | Ring | 2 | |
| 10 | 135.07.00-10 | Pressure Spring 22×52×2.8 | 2 | |
| 11 | 135.07.00-11 | Washer | 2 | |
| 12 | 135.07.00-12 | Plug Screw R1” | 2 | |
| 13 | GB/T70-1985 | Screw M8×35 | 8 | |
| 14 | 135.02.00-25 | Dowel Pin 28×80 | 4 | |
| 15 | 135.02.00-31 | Protecting Cap | 2 | |
| 16 | 135.07.01 | Cylinder Complete | 2 | |
| 17 | 135.07.01-3 | Round Sealing Ring 30×3 | 2 | |
| 18 | 135.07.01-4 | Round Sealing Ring 30×3 | 2 | |
| 19 | 135.02.00-12 | Round Sealing Ring 22×2 | 2 | |
| | 135.07.02 | Piston Complete | 2 | |
| 20 | 135.07.02-1 | Piston | 2 | |
| 21 | 135.07.02-2 | Round Sealing Ring | 2 | |
| 22 | 135.07.02-3 | Slide Ring | 2 | |
| 23 | 135.07.03 | Pressure Valve Complete | 7 | |
| 24 | 135.07.03-1 | Ring Type Nipple | 7 | |
| 25 | 135.07.03-2 | Hollow Screw | 7 | |
| 26 | 135.07.03-3 | Sealing Ring A12×15.5 | 14 | |
| 27 | 135.07.03-4 | Adaptor (Tube To Thread) | 7 | |
| 28 | 135.07.03-5 | Threaded Plug | 7 | |
| 29 | 135.07.03-6 | Pressure Spring | 7 | |
| 30 | 135.07.03-7 | Round Sealing Ring 8×2 | 8 | |
| 31 | GB/T308-1989 | Ball Φ6 | 6 | |
| 32 | 135.07.04-1 | Plug Screw Complete | 1 | |
| 33 | 135.02.00-29 | Sealing Ring A20×24 | 1 | |



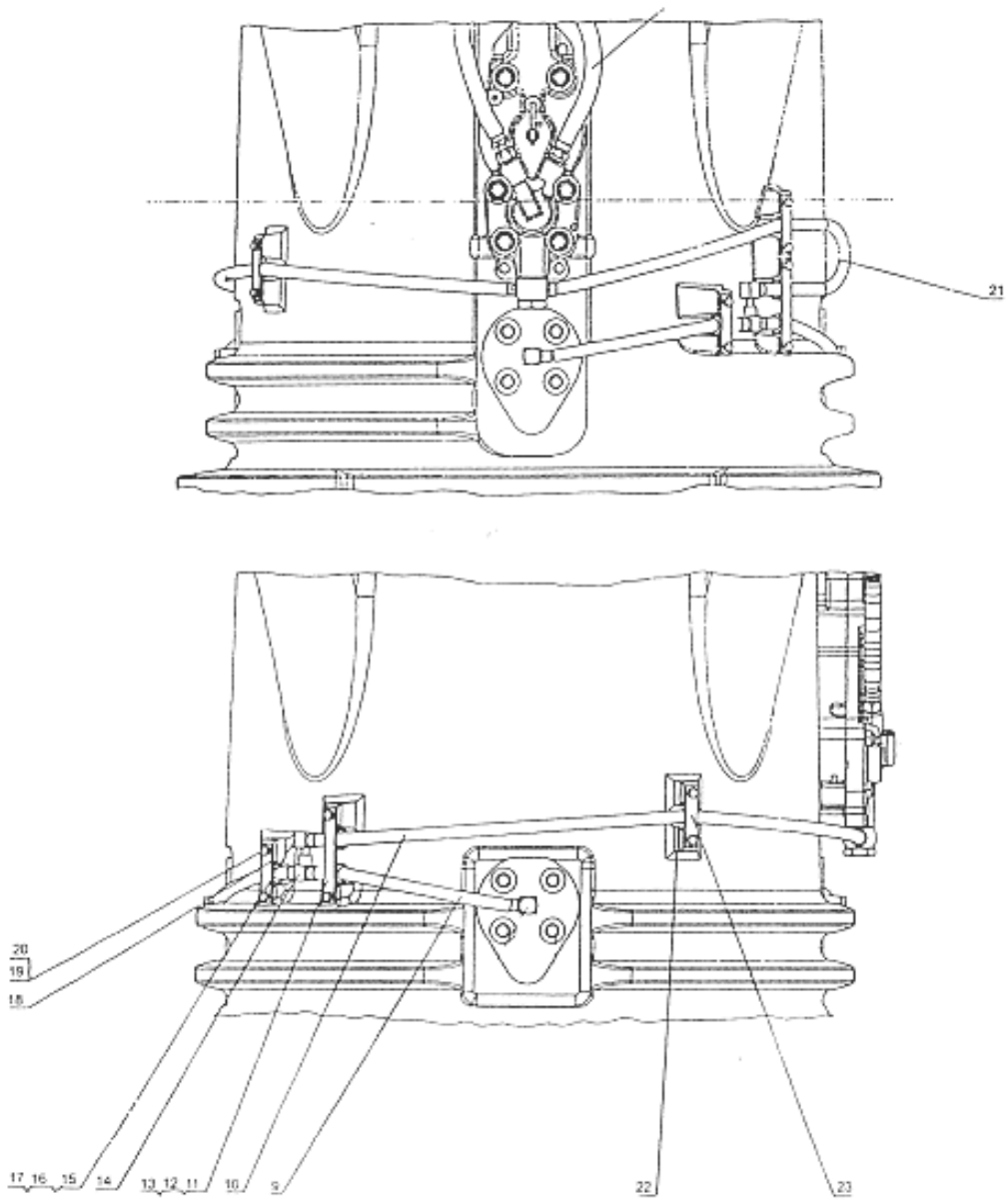
| No. | Parts-No. | Description | Qty. | Remark |
|-----|-----------|--|------|--------|
| 1 | 190.08 | Impact Block Complete | 1 | |
| 2 | 190.08-1 | Impact Block | 1 | |
| 3 | 190.08-2 | Piston Ring | 10 | |
| 4 | 190.08-3 | Piston Ring | 4 | |
| 5 | 190.09 | Striking Weight (Piston) Complete For D160 | 1 | |
| 5' | 191.09 | Striking Weight (Piston) Complete For D180 | 1 | |
| 6 | 190.09-1 | Striking Weight (Piston) For D160 | 1 | |
| 6' | 191.09-1 | Striking Weight (Piston) For D180 | 1 | |
| 7 | 190.09-2 | Catch Piston Ring | 1 | |



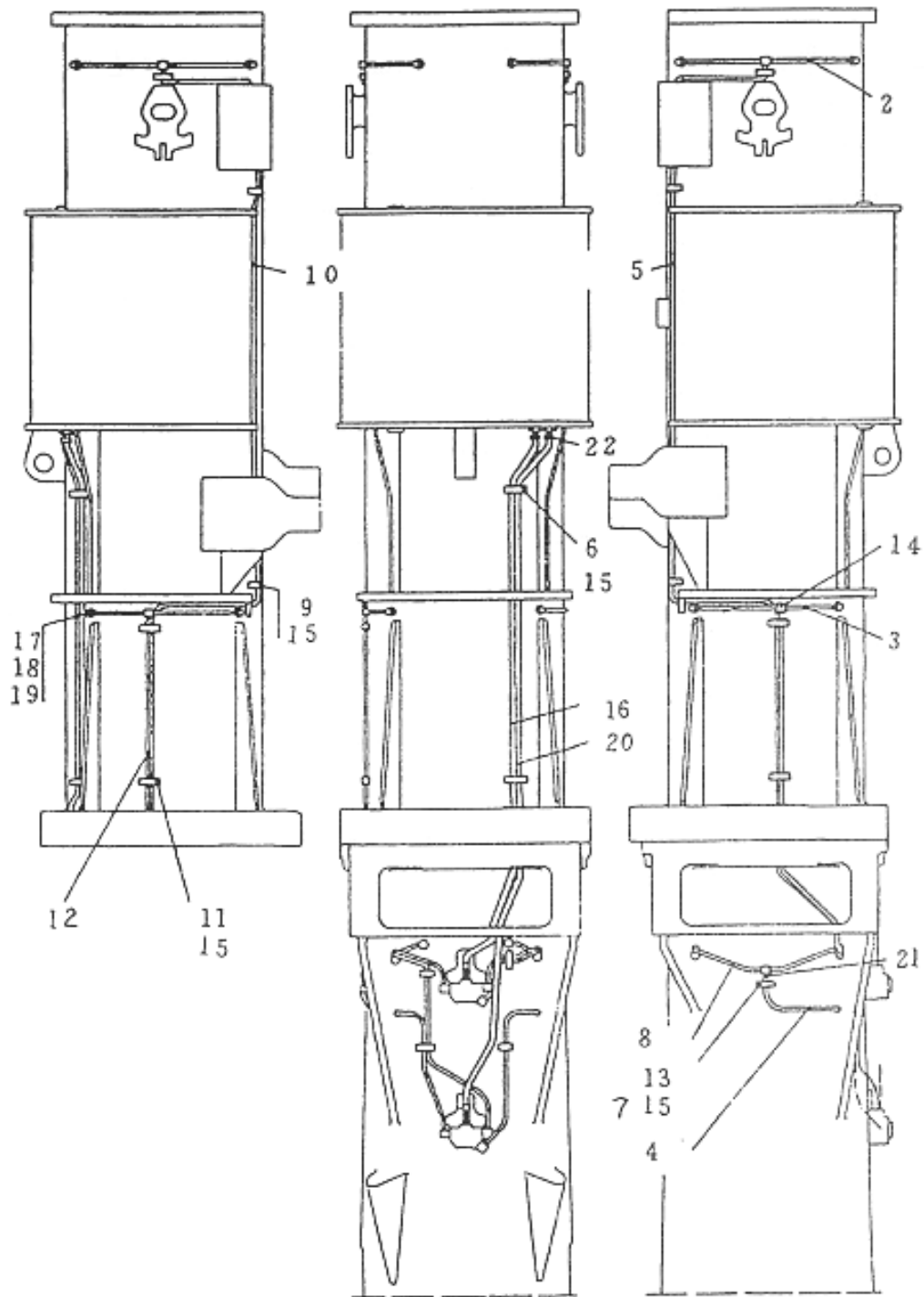
| No. | Parts-No. | Description | Qty. | Remark |
|-----|--------------|-------------------------------|------|--------|
| 1 | 190.10 | Transport Protecting Complete | 1 | |
| 2 | 190.10.1.1 | Securing Clamp | 2 | |
| 3 | 135.06.00-4 | Dowel Pin 40×75 | 2 | |
| 4 | 135.06.00-2 | Reduced Screw M24 | 2 | |
| 5 | 190.10-1 | Exhaust Cover Complete | 4 | |
| 5' | 191.10-1 | Exhaust Cover Complete | 4 | |
| 11 | 190.10.02 | Cylinder Slot Cover Complete | 1 | |
| 12 | 135.10.02-2 | Star Handle | 1 | |
| 13 | 137.10.02.02 | Tommy Screw | 1 | |
| 14 | GB/T879-1986 | Dowel Pin 6×60 | 1 | |
| 15 | 190.10.01-2 | Locking Screw M46×3 | 2 | |
| 16 | 190.10.3A | Protecting Cap Complete | 1 | |



| No. | Parts-No. | Description | Qty. | Remark |
|-----|-----------------|----------------------------------|------|--------|
| - | 190.11.03 | Fuel Line/Breather Line Complete | 1 | |
| 1 | 190.11.03-1 | Hose (5100mm Long) | 2 | |
| 2 | GB91-86 | Pin 3.2×36 | 2 | |
| | 180.11.03.02A | Switch Valve | 2 | |
| 3 | 180.11.03.02-1A | Valve Body | 2 | |
| 4 | 180.11.03.02-2A | Piston | 2 | |
| 5 | 2-106 | Round Sealing Ring 15.6×1.78 | 2 | |
| 6 | 20111-22-12 | Hose (300mm Long) | 2 | |
| 7 | No.1 | Hose Clip 7/8" -1 1/4" | 8 | |
| 8 | GB/T5782-1986 | Locking Screw M8×12 | 16 | |
| 9 | 180.11.03-4 | Clip | 4 | |



| No. | Parts-No. | Description | Qty. | Remark |
|-----|---------------|----------------------------------|------|--------|
| - | 190.11.01 | Fuel Line/Breather Line Complete | 1 | |
| 9 | 190.11.02 | High Pressure Hose (1200mm) | 4 | |
| 10 | 137.11.02 | High Pressure Hose (930mm) | 1 | |
| 11 | 137.11.00-3 | Sleeve | 6 | |
| 12 | 137.11.00-4 | Clip | 2 | |
| 13 | 137.11.00-5 | Plate | 2 | |
| 14 | 137.11.00-6 | T-Piece | 2 | |
| 15 | 137.11.00-7 | Hose Piece | 2 | |
| 16 | 137.11.00-9 | Locking Nut | 2 | |
| 17 | JB1897-1977 | Clamping Sleeve | 2 | |
| 18 | 137.11.00-8 | Clip | 2 | |
| 19 | GB/T5782-1986 | Locking Screw M8×12 | 16 | |
| 20 | GB/T93-1987 | Washer 8 | 16 | |
| 21 | 137.11.02 | High Pressure Hose (930mm) | 1 | |
| 22 | 137.11.00-1 | Clip | 2 | |
| 23 | 137.11.00-2 | Plate | 41 | |



| No. | Parts-No. | Description | Qty. | Remark |
|-----|---------------|------------------------------------|------|--------|
| - | 190.12 | Lube Line With Connecting Complete | 1 | |
| 2 | 190.12-1 | Hose (450mm Long) | 6 | |
| 3 | 190.12-2 | Hose (280mm Long) | 6 | |
| 4 | 190.12-3 | Hose (930mm Long) | 4 | |
| 5 | 190.12-4 | Hose (6700mm Long) | 2 | |
| 6 | 137.12.00-5 | Hose Clip | 2 | |
| 7 | GB/T93-1987 | Ring 8 | 34 | |
| 8 | 137.12.00-6 | Hose (730mm Long) | 4 | |
| 9 | 137.12.00-8 | Hose Clip | 6 | |
| 10 | 137.12.00-7 | Hose (2400mm Long) | 4 | |
| 11 | 137.12.00-8 | Hose Clip | 6 | |
| 12 | 137.12.00-9 | Hose (1870mm Long) | 1 | |
| 13 | 137.12.00-10 | Hose Clip | 6 | |
| 14 | 135.12.00-7 | T-Piece | 7 | |
| 15 | GB/T5782-1986 | Locking Screw M8×12 | 34 | |
| 16 | 136.12.00-1 | Hose (4000mm Long) | 1 | |
| 17 | 135.07.03-1 | Ring Type Nipple | 14 | |
| 18 | 135.07.03-2 | Hollow Screw | 14 | |
| 19 | 135.07.03-3 | Sealing Ring A12×15.5 | 28 | |
| 20 | 137.12.01 | Hose (4500mm Long) | 1 | |
| 21 | No.000 | Hose Clip 7/16"-5/8" | 42 | |
| 22 | No.0 | Hose Clip 5/8"-1" | 2 | |

| No. | Parts-No. | Description | Qty. | Remark |
|-----|---------------------|---------------------------------|------|--------|
| - | 190.16 | Tools And Accessories | 1 | |
| 1 | 190.16.1 | Piston Ring Fitting Band Cpl. | 1 | |
| 2 | 190.16.2 | Piston Ring Fitting Pliers Cpl. | 1 | |
| 3 | 135.16.03 | Assembly Plate | 2 | |
| 4 | 135.16.04-1 | Assembly Plate | 1 | |
| 5 | 135.16.04-2 | Connecting Plate | 1 | |
| 6 | 135.16.04-3 | Bolt | 2 | |
| 7 | 135.16.04-4 | Pin Sheave | 1 | |
| 8 | 135.16.04-5 | Punch $\Phi 12/\Phi 16$ | 1 | |
| 9 | 135.16.04-6 | Punch $\Phi 4/\Phi 8$ | 1 | |
| 10 | 135.16.04-7 | Single-Head Spanner | 1 | |
| 11 | 135.16.05 | Tool Box | 1 | |
| 12 | | Rope 35m Long | 2 | |
| 13 | | Rope 70m Long | 1 | |
| 14 | 2350-20/36 DWN29 | Ratchet Spanner | 1 | |
| 15 | GB/T825-1988 | Ring Screw M72 | 1 | |
| 16 | GB/T825-1988 | Ring Screw M20 | 1 | |
| 17 | GB/T879-1986 | Dowel Pin 10×100 | 2 | |
| 18 | GB/T879-1986 | Dowel Pin 16×100 | 2 | |
| 19 | GB/T879-1986 | Dowel Pin 3×L6 | 1 | |
| 20 | GB/T8918-1996 | Cable Wire 8m | 1 | |
| 21 | GB/T8918-1996 | Cable Wire 8m | 2 | |
| 22 | GB/T5976-1986 | Cable Clamp | 10 | |
| 23 | GB/T5976-1986 | Cable Clamp | 10 | |
| 24 | GB/T5976-1986 | Cable Clamp | 10 | |
| 25 | GB/T4388-1995 | Double Ended Open Spanner 30×32 | 1 | |
| 26 | GB/T4388-1995 | Double Ended Open Spanner 19×22 | 1 | |
| 27 | GB/T4388-1995 | Single Ended Open Spanner 46 | 1 | |
| 28 | GB/T4388-1995 | Single Ended Open Spanner 27 | 1 | |
| 29 | GB/T4388-1995 | Single Ended Open Spanner 17 | 1 | |

| No. | Parts-No. | Description | Qty. | Remark |
|-----|---------------|---|------|--------|
| 30 | GB/T4388-1995 | Single Ended Open Spanner 55 | 1 | |
| 31 | GB/T4388-1995 | Double Ended Ring Spanner 22×24 | 1 | |
| 32 | GB/T3390-1989 | Socket Wrench SW22 | 1 | |
| 33 | GB/T3390-1989 | Socket Wrench SW46 | 1 | |
| 34 | GB/T5356-1998 | Angled Screw Driver 5 | 1 | |
| 35 | GB/T5356-1998 | Angled Screw Driver 6 | 1 | |
| 36 | GB/T5356-1998 | Angled Screw Driver 8 | 1 | |
| 37 | GB/T5356-1998 | Angled Screw Driver 10 | 1 | |
| 38 | GB/T5356-1998 | Angled Screw Driver 14 | 1 | |
| 40 | GB/T5356-1998 | Angled Screw Driver 19 | 1 | |
| 41 | | Pliers A19 | 1 | |
| 42 | | Safety Helmet | 1 | |
| 43 | | Oil Feeder | 1 | |
| 44 | 135.16.06 | Grease Gun | 1 | |
| 45 | 180.16-1 | Screw | 6 | |
| 46 | 190.16.7 | Piston Ring Fitting Band Complete (Short) | 1 | |
| 47 | | Extension Bar 525×20 | 1 | |
| 48 | SG14-70 | Monkey Wrench | 1 | |