



IMPORTANT

READ BEFORE

STARTING AUGER

FAILURE TO FOLLOW THE START-UP PROCEDURE DESCRIBED WILL MOST LIKELY CAUSE EXTENSIVE DAMAGE TO THE AUGER MOTOR.

If the hydraulic fluid temperature is below 60°F (16°C), the auger motor must be warmed up prior to "full-speed" operation. The HYDRAULIC FLUID COLD light in the control panel should be ON if fluid temperature is below 60°F. If the light is not lit, check the thermometer on the reservoir first to verify that fluid temperature is above 60°F.

If the auger motor is cold, even though the hydraulic fluid is above 60°F, the motor must still be warmed up prior to "full-speed" operation.

To warm up the auger motor:

1. Turn the WARM-UP VALVE (MV2), located on the drive control manifold, to the warm-up position (Turn valve fully counter-clockwise).
2. Start and warm up the diesel engine. When the engine is warmed up, set the engine speed at 2000 RPM.
3. Move the FOR-OFF-REV switch on the remote control pendant to FOR. The auger will turn at low speed.

CAUTION: ALWAYS OPERATE AUGER IN FORWARD DURING WARM-UP. NEVER REVERSE.

4. Warm up the auger motor for AT LEAST 5 minutes and until the fluid temperature is 60°F or above.
5. When the auger motor is warmed up, stop the auger. Turn the WARM-UP VALVE (MV2) to the RUN position (turn fully clockwise). Set engine speed at 2500 RPM. Full speed operation may now begin.

For more thorough instructions, refer to the OPERATING AND MAINTENANCE MANUAL furnished with the unit.

INTERNATIONAL CONSTRUCTION EQUIPMENT

301 WAREHOUSE DR MATTHEWS N.C. 28106 704 321-7841



**MODEL 1250
EARTH AUGER**

OPERATING AND MAINTENANCE MANUAL

MODELS 1250 & 2425

CONTINUOUS FLIGHT EARTH AUGERS

WITH MODEL 175 POWER UNIT



**INTERNATIONAL
CONSTRUCTION
EQUIPMENT**

301 WAREHOUSE DR. MATTHEWS, N. C. 28105 704 821-7661

OM 1250/2425-0582



**MODEL 1250
EARTH AUGER**

PREFACE

This manual was prepared to acquaint the owner, operator and serviceman with the operation and maintenance of the earth augers and power units. We suggest that this manual be carefully studied before operating or undertaking any maintenance work on the unit.

The manual is organized into two major categories.

The first category is for routine OPERATING INSTRUCTIONS of the unit and includes a GENERAL DESCRIPTION section which presents a basic explanation of the augers and some of its specifications. The MAINTENANCE AND ADJUSTMENT section should be referred to periodically for normal servicing of equipment. All machines and equipment require systematic, periodic inspection and maintenance if they are to perform satisfactorily over a long period of time. The augers and power units should receive at least the same care and maintenance as other high quality construction equipment.

The second category is for parts reordering and it includes both a PARTS LIST and pictorial drawings of the various assemblies for easier identification of the required part. Refer to the PARTS LISTS for more specific parts ordering information.



**MODEL 1250
EARTH AUGER**

WARRANTY

INTERNATIONAL CONSTRUCTION EQUIPMENT STANDARD WARRANTY

International Construction Equipment (ICE) warrants new products sold by it to be free from defects in material or workmanship for a period of 90 days after date of delivery to the first user and subject to the following conditions:

ICE's obligation and liability under this WARRANTY is expressly limited to repairing or replacing at ICE's option, any parts which appear to ICE upon inspection to have been defective in material or workmanship. Such parts shall be provided at no cost to the user, at the business establishment of ICE or the authorized ICE distributor of the product during regular working hours. This WARRANTY shall not apply to component parts or accessories of products not manufactured by ICE and which carry the warranty of the manufacturer thereof, or to normal maintenance (such as engine tune-up) or to normal maintenance parts (such as oil filters). Replacement or repair parts installed in the product covered by this WARRANTY are warranted only for the remainder of the warranty as if such parts were original components of said product. ICE COMPANY MAKES NO OTHER WARRANTY, EXPRESS OR IMPLIED, AND MAKES NO WARRANTY OF MERCHANTABILITY OF FITNESS FOR ANY PARTICULAR PURPOSE.

ICE's obligation under this WARRANTY shall not include any transportation charges, costs of installation, duty, taxes or any other charges whatsoever, or any liability for direct, indirect, incidental, or consequential damage or delay. If requested by ICE, products or parts for which a warranty claim is made are to be returned transportation prepaid to ICE. Any improper use, including operation after discovery of defective or worn parts, operation beyond rated capacity, substitution of parts not approved by ICE or any alteration or repair by others in such manner as in ICE's judgement affects the product materially and adversely, shall void this WARRANTY.

NO EMPLOYEE OR REPRESENTATIVE IS AUTHORIZED TO CHANGE THIS WARRANTY IN ANY WAY OR GRANT ANY OTHER WARRANTY UNLESS SUCH CHANGE IS MADE IN WRITING AND SIGNED BY AN OFFICER OF ICE.



**MODEL 1250
EARTH AUGER**

TABLE OF CONTENTS
OPERATING INSTRUCTIONS

| | <u>Page</u> |
|---|-------------|
| I. <u>GENERAL DESCRIPTION</u> | |
| A. General | I- 1 |
| B. Auger Drive Units | I- 2 |
| C. Auger Power Unit | I- 2 |
| D. Crowd Drive Unit | I- 2 |
| E. Specifications | I- 2 |
| II. <u>PREPARATION FOR OPERATION</u> | |
| A. General | II- 1 |
| B. Safety Precautions | II- 1 |
| C. Rigging of Drive Unit | II- 2 |
| D. Set-Up of Crowd Components | II- 2 |
| E. Connection of Hydraulic Hoses | II- 4 |
| F. Connection of Crowd Hydraulic Hoses | II- 5 |
| G. Filling Hydraulic Hoses | II- 6 |
| H. Connection of Auger Flighting and Head | II- 6 |
| III. <u>OPERATING INSTRUCTIONS</u> | |
| Control Panel and Remote Control Pendant | III- 1 |
| A. Completion of Set-Up and Maintenance | III- 2 |
| B. Control Panel | III- 2 |
| C. Starting and Warming Up Engine | III- 3 |
| D. Warming Auger Motor | III- 4 |
| E. Operation of Remote Control Pendant | III- 5 |
| F. Shutdown | III- 5 |
| IV. <u>MAINTENANCE AND ADJUSTMENTS</u> | |
| A. General | IV- 1 |
| B. Daily | IV- 2 |
| C. 100, 150 Hours and Other | IV- 3 |
| D. Annually | IV- 3 |
| E. Severe Conditions | IV- 3 |
| F. Lubrication | IV- 4 |
| G. Capacities | IV- 6 |
| H. Draining and Filling Hydraulic Fluid Reservoir | IV- 6 |
| I. Cleaning Hydraulic Pick-Up Filter | IV- 7 |
| J. Changing Hydraulic Return Filter Element | IV- 7 |



**MODEL 1250
EARTH AUGER**

TABLE OF CONTENTS

OPERATING INSTRUCTIONS (CONTINUED)

| | <u>Page</u> |
|--|---------------------|
| V. <u>HYDRAULIC CIRCUITRY</u> | |
| A. Auger Motor | V- 1 |
| B. Crowd Motor | V- 2 |
| C. Other | V- 2 |
| Hydraulic Schematic | V- 4 |
| D. Hydraulic Components List | V- 5 |
| VI. <u>ELECTRICAL CIRCUITRY</u> | |
| A. Diesel Engine | VI- 1 |
| B. Auger Motor | VI- 2 |
| C. Crowd Package | VI- 2 |
| D. Other | VI- 2 |
| Electrical Schematic | VI- 3 |
| E. Electrical Components List | VI- 4 |
| F. Electrical Wiring Diagram | VI- 5 |
| <u>PARTS LIST</u> | |
| VII. <u>GENERAL DATA</u> | |
| A. Abbreviations | VII- 1 |
| B. Serial Number Locations | VII- 1 |
| C. Screws and Bolts | VII- 2 |
| VIII. <u>ORDERING PARTS</u> | |
| A. Procedure | VIII- 1 |
| B. Fitting Description Key | VIII- 1 |
| Fitting Style Selector Chart - SC1 | VIII- 3 |
| C. Hose Description Code | VIII- 4 |
| D. Parts Identification | VIII- 5 |
| Parts Lists and Drawings | VIII-6 thru VIII-43 |
| E. Miscellaneous Accessories | VIII-45 |
| F. Recommended Spare Parts | VIII-47 |



MODEL 1250
EARTH AUGER

OPERATING INSTRUCTIONS

I. GENERAL DESCRIPTION

A. GENERAL

The ICE Auger, Models 1250 and 2425, are hydraulically powered continuous-flight earth augers designed for pile predrilling and for installing cast-in-place piles and tie backs.

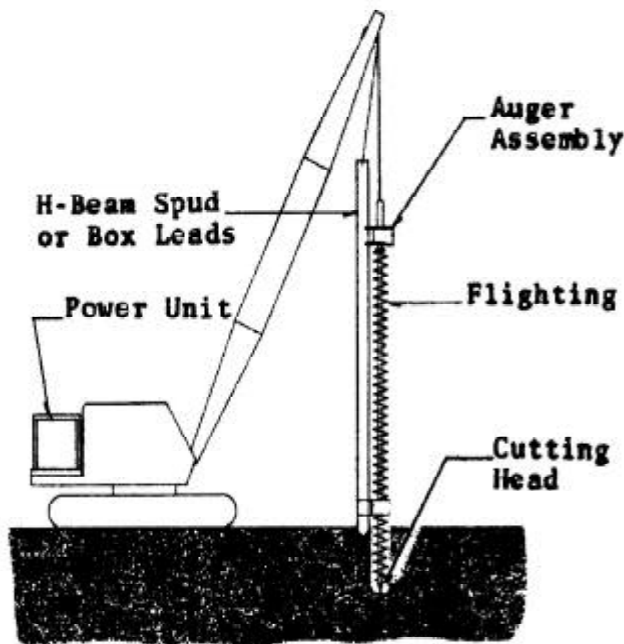
The ICE Model 1250 operates at a speed of 50-75 RPM to provide rapid drilling in most soils. The unit has a maximum torque of 12,000 ft-lbs and is designed for most normal jobs.

The Model 2425 operates at 25-38 RPM with 24,000 ft-lbs of torque for more difficult drilling jobs in stiff clays, dense sands or soils with boulders and rocks.

A 3" ID hollow shaft, which permits high volume injection of air, water or grouting material, is provided on both models for grouting or jetting.

The earth augers consist of two major components: (1) the auger drive unit with flighting and head and (2) the power unit which furnishes the required power to operate the auger.

The power unit may be crane-mounted for greater maneuverability (Fig. 1) when so desired. The auger may be rigged either with an H-Beam spud or in box leads. An optional crowd drive unit is available for installing tie-backs or for crowding during other drilling.



The auger may be operated at any angle from horizontal to completely vertical. With the standard crowd drive unit removed, the auger converts to the standard pile predrill set-up. The auger may also be operated from an independent hydraulic system, such as a backhoe, crane or excavator thus eliminating the need for a separate power unit.

FIG. 1



MODEL 1250
EARTH AUGER

OPERATING INSTRUCTIONS

I. GENERAL DESCRIPTION

B. AUGER DRIVE UNITS

The drive unit has a low speed/high torque motor which rotates the auger flighting. A 3" ID hollow drive shaft passing through the motor has a flange at the lower end which accepts various flighting connectors. Thrust bearings at the upper and lower ends of the shaft carry the vertical loads during extraction from the hole or during crowding while drilling. Rollers on the drive unit may be positioned to operate on standard box leads or on an H-Beam spud.

C. AUGER POWER UNIT

Both models 1250 and 2425 augers are powered by the ICE model 175 power unit. The model 175 power unit is powered by a Caterpillar 3208 diesel engine. The power unit is mounted on a skid-type fuel-tank subbase and is enclosed in heavy-duty sheet metal to protect the unit. All operating controls and gages are located on the side of the power unit conveniently clustered in a control panel area. Three hydraulic hose lines, 100 feet in length, connect the power unit to the auger drive unit.

D. CROWD DRIVE UNIT

An optional crowd drive unit is available. The crowd motor is mounted on the auger motor. It moves the auger motor up and down a fixed chain to provide up to eight tons of force for crowding or extracting the auger. The crowd drive unit operates on standard 26" box leads.

E. SPECIFICATIONS

1. Constant improvement and engineering progress make it necessary that we reserve the right to make specification changes without notice.



**MODEL 1250
EARTH AUGER**

**OPERATING
INSTRUCTIONS**

I. GENERAL DESCRIPTION

E. SPECIFICATIONS (CONTINUED)

2. Auger Drive Units

| | <u>Model 1250</u> | <u>Model 2425</u> |
|-------------------------|-------------------|-------------------|
| Type | Hydraulic | Hydraulic |
| Output Torque (ft/lbs) | 12,000 | 24,000 |
| Output Speed (RPM) | 50-75 | 25-38 |
| Output Shaft ID (in) | 3 | 3 |
| Thrust Capacity (lbs) | 20,000 | 20,000 |
| Mounting (leads) | 26" Box | 26" Box |
| Mounting (H-Beam) | 12" & 14" | 12" & 14" |
| Height (in) | 62 | 80 |
| Width (in) | 31 | 31 |
| Depth (in) | 36 | 36 |
| Weight-less hoses (lbs) | 2500 | 3800 |

3. Model 175 Power Pack

| | |
|--------------------------------------|----------------------|
| Type | Hydraulic |
| Engine | CAT 3208 |
| Horsepower (2800 RPM) | 175 |
| Reservoir Capacity (gal) | 270 |
| Fuel Tank Capacity (gal) | 110 |
| Hoses, Interconnecting (size/inches) | 2 @ 1-1/4 1 @ 3/4 |
| Length (inches) | 108 |
| Width (inches) | 60 |
| Height (inches) | 68 |
| Weight (w/oil-no fuel) (lbs) | 7400 |

4. Crowd Drive Unit

| | |
|------------------------------|-----------|
| Type | Hydraulic |
| Crowd Force, both ways (lbs) | 15,000 |
| Crowd Speed (ft/min) | 17 |

5. Tie Back Drive

| | |
|-----------------------------|-----------|
| Type | Hydraulic |
| Performance (PSI at 10 GPM) | 1500 |



MODEL 1250
EARTH AUGER

OPERATING INSTRUCTIONS

II. PREPARATION FOR OPERATION

A. GENERAL

When unloading and unpacking the auger, use extreme care. For your protection, make a thorough inspection of the unit immediately on delivery. In case of any damage or shortage, notify the transit agent at once and have the delivering carrier make a notation on the freight bill.

B. SAFETY PRECAUTIONS

Safety is basically common sense. There are standard safety rules, but each situation has its own peculiarities which can not always be covered by rules. Therefore, your experience and common sense will be your best guide to safety. Be ever watchful for safety hazards and correct deficiencies promptly.

Use the following safety precautions as a general guide to safe operation:

1. When operating in a closed area, pipe exhaust fumes outside. Continued breathing of exhaust fumes may be fatal.
2. When servicing batteries, do not smoke or use an open flame in the vicinity. Batteries generate explosive gas during charging. There must be proper ventilation when charging batteries.
3. When filling fuel tank, do not smoke or use open flame in the vicinity.
4. Never adjust or repair the unit while it is in operation.
5. Never operate the diesel engine with the governor linkage disconnected. Human reactions are not fast enough to control the fuel rack.
6. Remove all tools and electrical cords before starting.
7. Store oily rags in containers.
8. Never store flammable liquids near the engine.

REMEMBER, SAFETY IS EVERYONE'S BUSINESS!



MODEL 1250
EARTH AUGER

OPERATING INSTRUCTIONS

II. PREPARATION FOR OPERATION

C. RIGGING OF DRIVE UNIT

1. If unit is equipped with optional crowd drive unit, read Section II-D, SET-UP OF CROWD COMPONENTS.
2. Rollers on the auger drive unit should be correctly positioned for the proper guide method which will be used at that time (box leads or H-Beam). If not correctly set, the rollers must be changed to the proper position.
3. Connect the crane line to the auger lifting bracket at the top of the drive unit.

CAUTION: Make sure this connection is adequate to withstand the large loads which may be applied during extraction of the auger from the hole.

4. Slide the auger drive unit into the leads or onto the H-Beam spud. Make sure it slides freely, with no obstructions.

D. SET-UP OF CROWD COMPONENTS (OPTIONAL)

1. The optional crowd drive unit is designed to operate in ICE box leads. However, it can be used in other leads or on other structural members with similar design characteristics. The following instructions are for mounting in ICE 26" box leads.
2. The length of leads required is eight feet longer than the depth of the hole to be drilled. The length of auger flighting and head must be three feet longer than the hole to be drilled. The length of chain required is approximately twice the length of the leads.
3. To assemble crowd components:
 - a. Connect lead sections together.
 - b. Slide auger drive unit into the leads.
 - c. Slide moveable auger guide into the leads.
 - d. Bolt chain anchors to leads. Chain anchor with adjustable chain block mounts to upper end of the leads.
 - e. Connect chain as shown in Fig. 2, page II-3.
 - f. Rig 1/2" wire rope for moveable auger guide as shown in Fig. 3, page II-3.



MODEL 1250
EARTH AUGER

OPERATING INSTRUCTIONS

II. PREPARATION FOR OPERATION

D. SET-UP OF CROWD COMPONENTS (OPTIONAL) (CONTINUED)

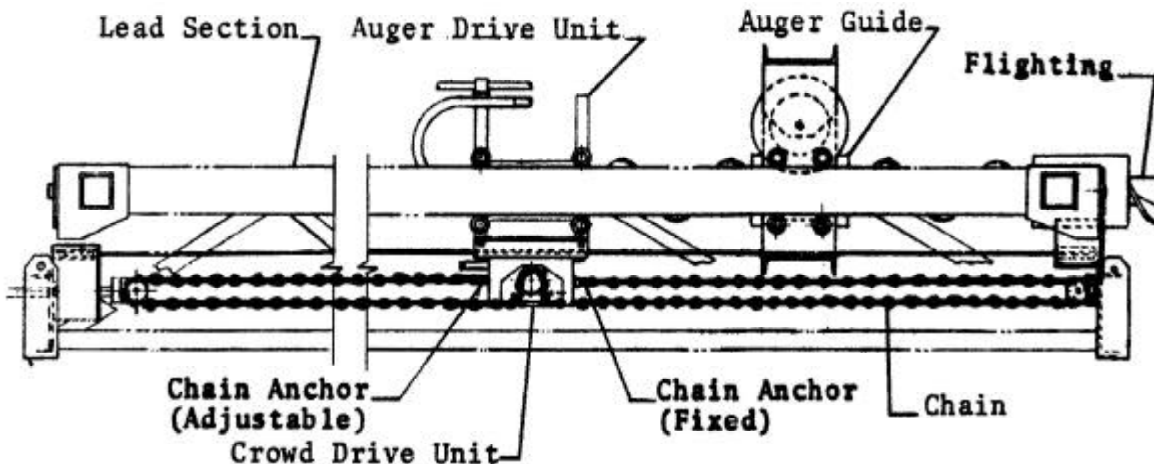


FIG. 2

ANCHOR CHAIN CONNECTION

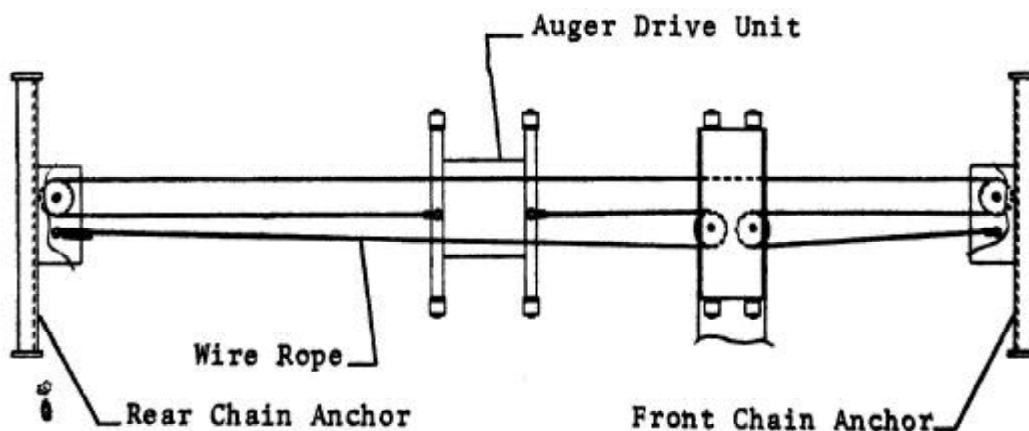


FIG. 3

WIRE ROPE CONNECTION



MODEL 1250
EARTH AUGER

OPERATING INSTRUCTIONS

II. PREPARATION FOR OPERATION

E. CONNECTION OF HYDRAULIC HOSES

1. Connection of hoses at power unit.

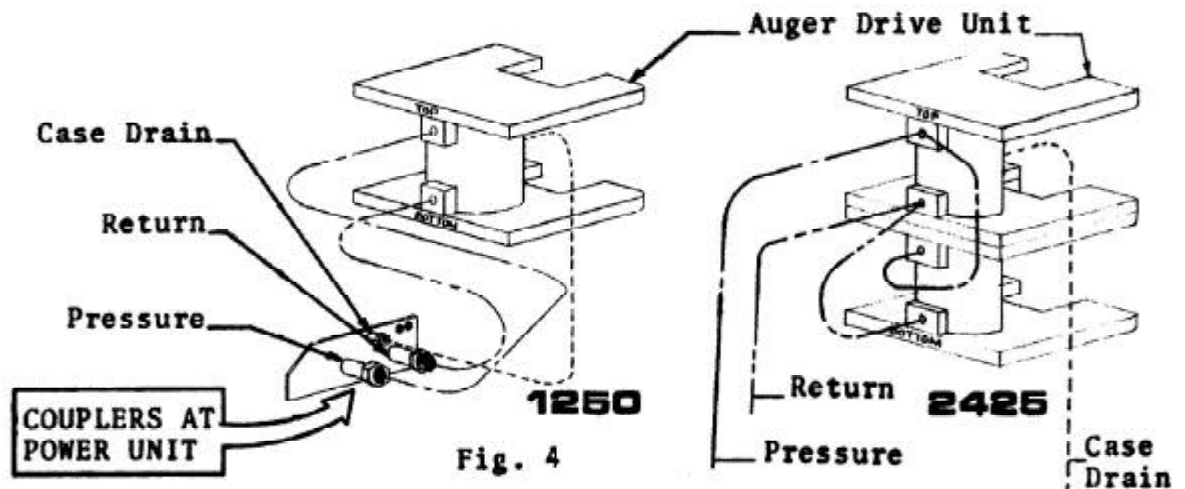
- a. The auger drive unit is connected to the power unit by three hydraulic hose lines. Fig. 4.

CAUTION: The power pack must be shut down during connection of the hydraulic hoses.

- b. The hoses connect to the power unit with quick-disconnect couplers. The hose couplers are arranged to insure correct connection at the power unit.
- c. Clean couplers with a lint-free cloth before making connections.
- d. Make sure that the couplers are fully run up. They should be firmly hand tight. If wrenches are used, do not overtighten.

2. Connection of hoses at auger drive unit.

- a. The auger drive unit is usually shipped with the hoses attached. If the hoses have been shipped separately, they must be connected. The diagram below (Fig. 4) shows the correct arrangement of the three hose lines connecting the power unit to the auger drive unit.





MODEL 1250
EARTH AUGER

OPERATING INSTRUCTIONS

II. PREPARATION FOR OPERATION

F. CONNECTION OF CROWD HYDRAULIC HOSES (OPTIONAL)

1. If the unit is equipped with the optional crowd drive unit, two additional hydraulic hose lines must be connected (Fig. 5).
2. These hoses also connect to the power unit with quick-disconnect couplers. The couplers are arranged to insure correct connection at the power unit.
3. The crowd drive unit is usually shipped with the hoses attached, but if the hoses have been shipped separately, they must be connected. The diagram below (Fig. 5) shows the correct arrangement of the two hose lines connecting the crowd drive unit to the power unit.
4. The crowd circuit relief valve (RV2) must be set at 1500 PSI for crowd operation. If the model 175 power unit has been used for vibrator operation, the relief valve probably will be set at 2500 PSI.

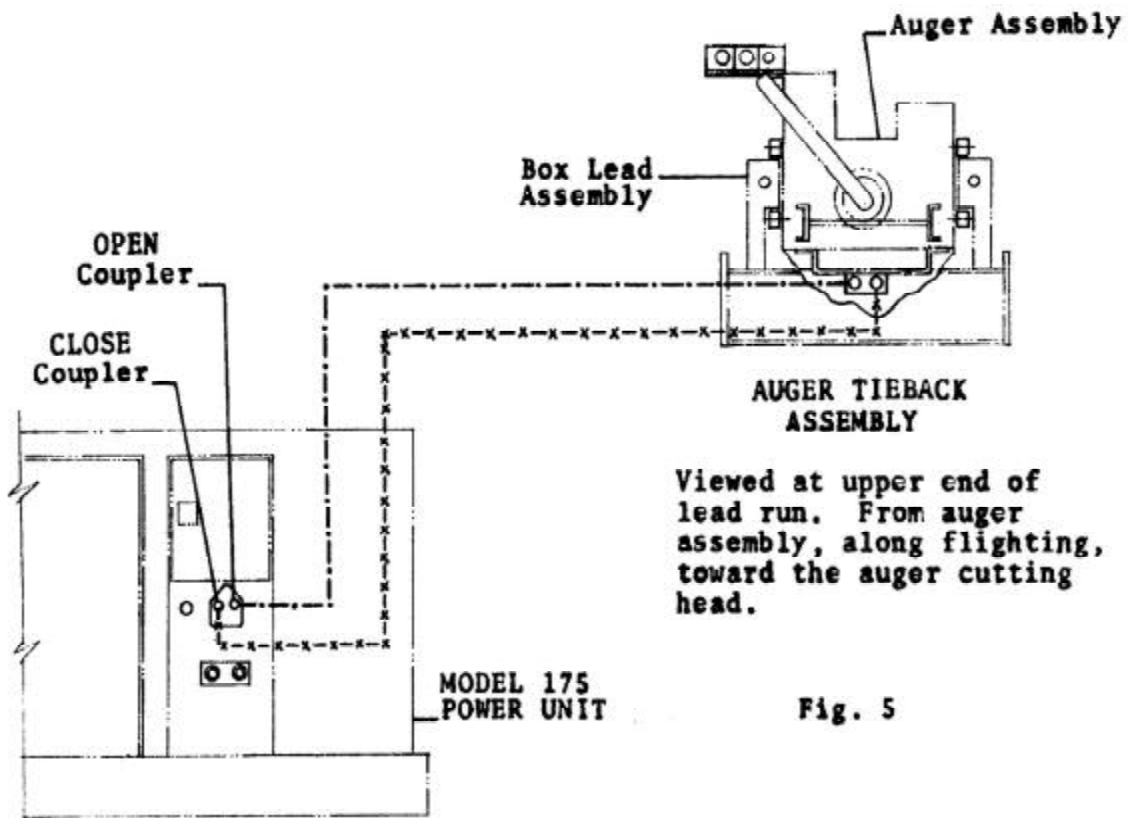


Fig. 5



**MODEL 1250
EARTH AUGER**

OPERATING INSTRUCTIONS

II. PREPARATION FOR OPERATION

G. FILLING HYDRAULIC HOSES

1. The auger is usually shipped with the hydraulic hoses full of fluid and the unit may be used immediately. However, if the hoses have been removed from the auger, the hoses may need to be filled with hydraulic fluid prior to full-speed operation.
2. Read SECTION III - OPERATING INSTRUCTIONS.
3. Start and warm up the diesel engine in accordance with SECTION III-C.
4. With the engine warmed up and running at 1800 RPM and the WARM-UP valve in the RUN position, the hoses will fill with fluid in about ten minutes. Wait ten minutes for this to occur.

CAUTION: Leave the FOR/OFF/REV switch in the remote control pendant in the OFF position until hoses are filled with fluid.

H. CONNECTION OF AUGER FLIGHTING AND HEAD

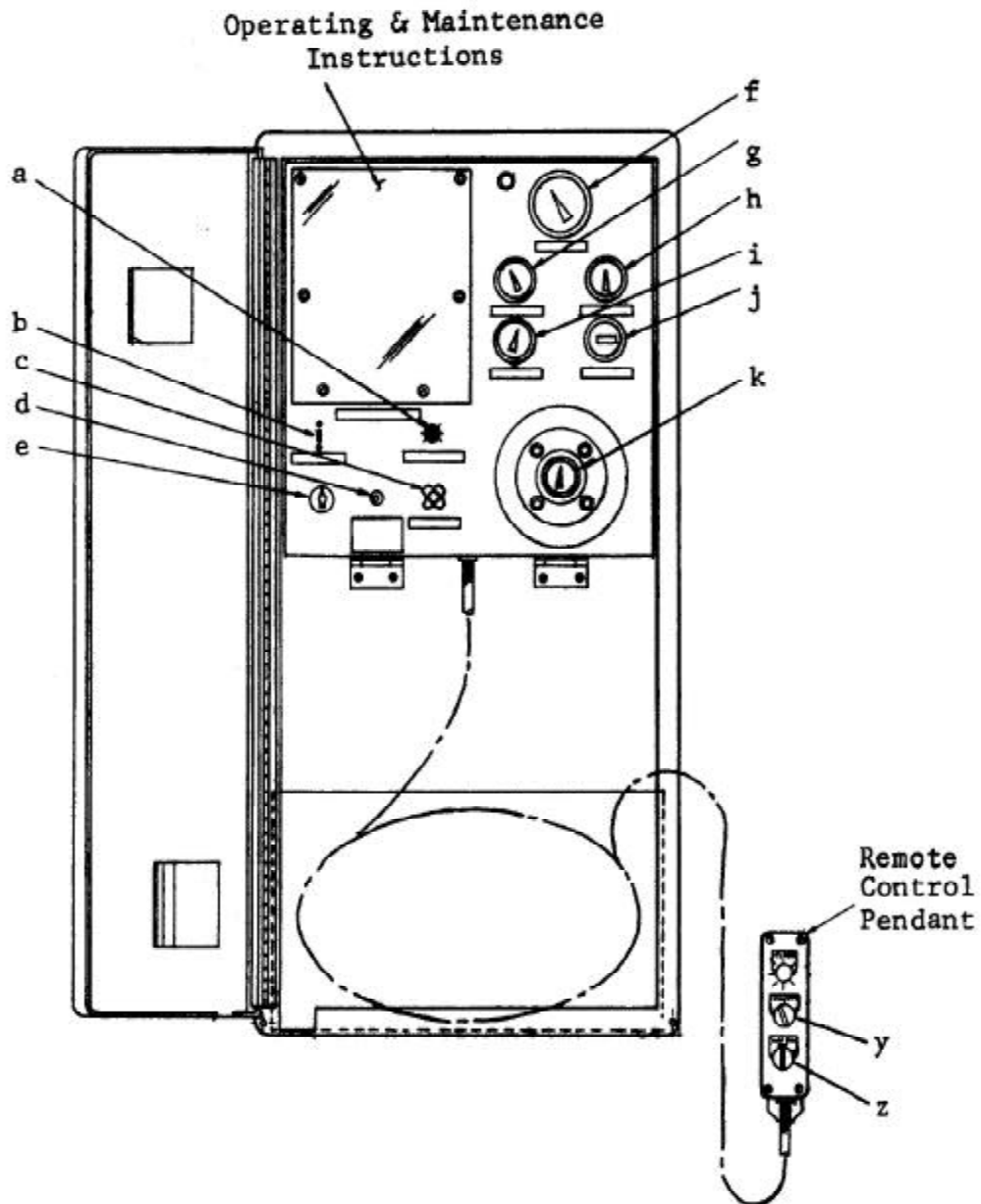
1. The flange at the lower end of the output shaft of the auger drive unit will accept connectors for most normal types of flighting. Check to make sure that the connector on the auger drive unit matches the connector on the flighting.
2. Raise the auger drive unit with the crane line and connect the sections of flighting to the bottom of the unit. Connect the auger head at the end of the flighting run.



MODEL 1250
EARTH AUGER

OPERATING INSTRUCTIONS

III. OPERATING INSTRUCTIONS



Control Panel and Remote Control Pendant
Fig. 6



MODEL 1250
EARTH AUGER

OPERATING INSTRUCTIONS

III. OPERATING INSTRUCTIONS

A. COMPLETION OF SET-UP AND MAINTENANCE

1. Complete all preparation as described in Section II.
2. Read Section IV - MAINTENANCE AND ADJUSTMENTS and perform any required maintenance.

B. CONTROL PANEL

1. The control panel, Fig. 6, at the side of the power unit contains the Operating Panel with controls and gages for the diesel engine and the Operating and Maintenance Instructions.
2. The operating panel contains the following controls and gages:
 - a. HYDRAULIC FLUID WARNING LIGHT - comes on if hydraulic fluid is below 60°F (16°C).
 - b. MAIN POWER SWITCH - on/off switch for 12-volt electrical power. Must be on for auger to run.
 - c. ENGINE THROTTLE
 - d. ENGINE SHUT-DOWN RESET BUTTON - on start, must be held until oil pressure exceeds 30 PSI.
 - e. ENGINE START SWITCH - for diesel engine.
 - f. ENGINE TACHOMETER
 - g. ENGINE OIL PRESSURE GAGE
 - h. ENGINE WATER TEMPERATURE GAGE
 - i. ENGINE AMMETER
 - j. ENGINE HOURMETER
 - k. PRESSURE GAGE - multiposition gage for auger forward, auger reverse and crowd pressure.
 - y. CROWD MOTOR SWITCH - (Open-Close)(Advance-Retract)
 - z. AUGER SWITCH - (For-Off-Rev)
3. The WARM-UP VALVE (Needle Valve)(MV2) is located on the DRIVE CONTROL MANIFOLD, see page VIII-28.
4. The Operating and Maintenance Instructions on the control panel are there as reminders only. They are not complete and therefore not intended to substitute for a thorough understanding of this Operating Manual.



MODEL 1250
EARTH AUGER

OPERATING INSTRUCTIONS

III. OPERATING INSTRUCTIONS

C. STARTING AND WARMING UP ENGINE

1. Before starting the engine, read the CATERPILLAR OPERATING GUIDE carefully. Follow the engine starting, operating and maintenance procedures in that manual.
2. The diesel engine should not be started if the temperature of the hydraulic fluid is below 0°F. The temperature may be read on the gage on the hydraulic reservoir. If ambient temperatures below 0°F are anticipated, an immersion heater for the hydraulic fluid is available. Consult ICE for details.
3. The MAIN POWER SWITCH on the control panel should be ON. Turn the auger switch on the control pendant to OFF.
4. Pull out the ENGINE THROTTLE about half way. Press the button on the end of the throttle for rapid adjustment.
5. While holding the SHUTDOWN RESET BUTTON in, turn the ENGINE START SWITCH to the START position. Keep reset button in until oil pressure reaches 30 PSI. If the engine fails to start after 30 seconds of cranking, allow the starter to cool for two minutes before repeating the starting procedure.
6. As the engine starts, release the ENGINE START SWITCH. It will return to the RUN position.
7. Adjust the throttle until the engine is running at 1500 RPM and allow to warm-up for five minutes.
8. Allow the temperature of the hydraulic fluid to come up to at least 30°F before starting auger.



MODEL 1250
EARTH AUGER

OPERATING INSTRUCTIONS

III. OPERATING INSTRUCTIONS

D. WARMING AUGER MOTOR

1. FAILURE TO FOLLOW THE WARM-UP PROCEDURE DESCRIBED WILL MOST LIKELY CAUSE EXTENSIVE DAMAGE TO THE AUGER MOTOR.
2. If the hydraulic fluid temperature is below 60°F, the auger motor must be warmed prior to full-speed operation. The HYDRAULIC FLUID COLD light in the control panel should be lit if fluid is below 60°F. If the light is not lit, check the thermometer on the reservoir to verify that fluid temperature is above 60°F.
3. When the auger motor is cold, even though the fluid temperature is above 60°F, it is recommended that the auger motor be warmed prior to "full-speed" operation.
4. To warm up the auger motor:
 1. Turn the WARM-UP VALVE (MV2 - Needle Valve) to the warm-up position (turn fully counterclockwise).
 2. Start and warm-up the diesel engine. When the engine is warmed up, set the engine speed at 2000 RPM.
 3. Move the FOR-OFF-REV switch on the control pendant to FOR. The auger will turn at low speed.

CAUTION: ALWAYS OPERATE IN FORWARD DURING WARM-UP - NEVER REVERSE.

4. Warm up the auger motor for at least 5 minutes and until the fluid temperature is 60°F or above.
5. When the auger motor is warmed up, stop the auger. Turn the WARM-UP VALVE (MV2) to the RUN position (turn fully clockwise). Set engine speed at 2500 RPM. Full speed operation may now begin. The engine should maintain about 2200 RPM under load.



MODEL 1250
EARTH AUGER

OPERATING INSTRUCTIONS

III. OPERATING INSTRUCTIONS

E. OPERATION OF REMOTE-CONTROL PENDANT (FIG. 5)

- 1 The operation of the auger is controlled by the remote-control pendant. The pendant is connected to the control cabinet with 50 feet (or optional 100 feet) of electrical cable to permit operation from any advantageous position near the auger.
2. The pendant has two switches and an indicator light. The FOR-OFF-REV switch controls the auger motor. The OPEN-CLOSE switch controls the optional crowd motor.
 - a. Forward Rotation:
To operate the auger in the FORWARD direction, turn the auger switch to the FOR. position.
To stop rotation, turn the auger switch to OFF.
 - b. Reverse Rotation:
To operate the auger in the REVERSE direction, turn the auger switch to the REV. position.
To stop rotation, turn the auger switch to OFF.
 - c. Advance Auger:
To ADVANCE or CROWD auger during drilling, turn the crowd switch to OPEN and hold. To stop advance, release switch.
 - d. Extract Auger:
To extract auger, turn the crowd switch to CLOSE.
To stop extraction, move switch to center position.

F. SHUTDOWN

1. Stop the auger.
2. Allow the diesel engine to run for five minutes at 1500 RPM.
3. Reduce speed to low idle for about thirty seconds.
4. Stop the engine by turning the ENGINE START switch to OFF.



MODEL 1250
EARTH AUGER

OPERATING INSTRUCTIONS

IV. MAINTENANCE AND ADJUSTMENTS

A. GENERAL

Preventive maintenance includes normal servicing that will keep the engine, auger drive unit and power unit in peak operating condition and prevent unnecessary trouble from developing. This servicing consists of periodic lubrication and inspection of the moving parts and accessories of the unit.

Lubrication is an essential part of protective maintenance, controlling to a great extent the useful life of the unit. Different lubricants are needed and some components in the unit require more frequent lubrication than others. Therefore, it is important that the instructions regarding types of lubricants and frequency of their applications be closely followed.

To prevent minor irregularities from developing into serious conditions that might involve shut-down and major repair, several other services or inspections are recommended for the same intervals as the periodic lubrications. The purpose of these services, or inspections, is to assure the uninterrupted operation of the unit.

Thoroughly clean all lubrication fittings, caps, filler and level plugs and their surrounding surfaces before servicing. Prevent dirt from entering with lubricants and coolants. The intervals given in the schedule are based on normal operation. Perform these services, inspections, etc. more often as needed for operation under abnormal or severe conditions.

NOTE: All maintenance indicated in this section is intended for ICE equipment only and use of any other hydraulic systems or equipment to power the ICE auger should have its own specific maintenance manual for any required service and maintenance instructions.



MODEL 1250
EARTH AUGER

OPERATING INSTRUCTIONS

IV. MAINTENANCE AND ADJUSTMENTS

B. DAILY

1. Check the entire unit prior to and during start-up each day or at the beginning of each shift.
2. Prior to starting the diesel engine at each shift, check the following items:
 - a. Check all bolts, nuts and screws including the bolts fastening the auger flighting to the drive unit to insure that they are tight.
 - b. Check all auger connectors.
 - c. Check the fluid level in the hydraulic reservoir and refill if necessary.

CAUTION: It is absolutely imperative that no dirt or other impurities be permitted to contaminate the hydraulic fluid. Any contamination will drastically shorten the life of the high pressure hydraulic system.

- d. Visually check all hoses for signs of damage or cuts that might cause hose failure during operation. Be sure all connections are tight, especially the quick-disconnect couplers.
 - e. Electrical components need no maintenance except periodic wiping with a clean, dry, lint-free cloth to remove dust.
 - f. Grease the shaft in the drive unit (one fitting).
 - g. If equipped with optional crowd package, grease crowd motor sprocket drive (5 fittings) and chain anchor blocks (2 fittings).
 - h. Perform all daily maintenance checks and lubrication indicated in the CATERPILLAR OPERATION GUIDE.
3. After start-up, check the following:
 - a. Check all hydraulic hoses for leaks. Make sure they hang freely with no kinks.
 - b. Check the pump and all hydraulic manifolds for leaks.
 - c. Check the filter indicator. The return filter on the power unit must be checked with the diesel engine running.



**MODEL 1250
EARTH AUGER**

OPERATING INSTRUCTIONS

IV. MAINTENANCE AND ADJUSTMENTS

C. 100 HOURS, 150 HOURS, and other

Perform all maintenance checks and lubrication indicated in the Caterpillar Operation Guide.

D. ANNUALLY

Have the hydraulic fluid tested by a local hydraulic service center. Replace if required.

E. SEVERE CONDITIONS

1. The servicing intervals specified are based on normal operating conditions. Operation under unusual conditions require some adjustments in servicing intervals.
2. When the average temperature is above 80°F or below - 10°F, reduce servicing intervals to one-half of those specified above.
3. When operating in the presence of dust or sand, reduce servicing intervals to one-third of those specified.
4. When operating in excess of twelve hours per day, reduce servicing intervals to one-half of those specified.
5. When operating in air with high salt or moisture, the servicing intervals need not usually be changed. However, the unit should be inspected weekly to determine if additional servicing might be required.
6. During stand-by or inactive periods, the servicing intervals may be twice those specified. The unit should be exercised every thirty days or less, depending on conditions.



MODEL 1250
EARTH AUGER

OPERATING INSTRUCTIONS

IV. MAINTENANCE AND ADJUSTMENTS

F. LUBRICATION

1. Crankcase (Diesel Engine)

- a. Follow the engine manufacturer's maintenance schedule and the lubricating oil specifications outlined in the CATERPILLAR OPERATION GUIDE.
- b. The lubricant shall meet the performance requirements of API Service Classifications CD or MIL-L-2104C.
- c. New engines are shipped with MOBIL DELVAC SUPER 15W-40, but the following multi-grade crankcase oils are recommended for use or replacement in normal operation (10°F to 90°F) (-12°C to 32°C).

| | | |
|------------|----------|------------------|
| AMOCO | - 15W-40 | 300 |
| ARCO | - 15W-40 | Fleet S3 Plus |
| BORON (BP) | - 15W-40 | Vanellus C Extra |
| CHEVRON | - 15W-40 | Delo 400 |
| CITGO | - 15W-40 | C500 Plus |
| CONOCO | - 15W-40 | Fleet Supreme |
| EXXON | - 15W-40 | XD3 |
| GULF | - 15W-40 | Super Duty Plus |
| MOBIL | - 15W-40 | Delvac Super |
| PHILLIPS | - 15W-40 | Super HD II |
| SHELL | - 15W-40 | Rotella T |
| SUN | - 15W-40 | Sunfleet Super C |
| TEXACO | - 15W-40 | Ursa Super Plus |
| UNION | - 15W-40 | Guardol |
| VALVOLINE | - 15W-40 | All Fleet |

- d. For operation in extreme sub-zero climate, refer to the CATERPILLAR OPERATION GUIDE - Crankcase Lubricating Oils or contact the nearest Caterpillar representative.

2. Hydraulic System

To maintain the maximum operating efficiency in the precision parts of the hydraulic system, it is extremely important to eliminate factors which can cause breakdowns or unsatisfactory performance in the system. Among the most common of these factors are rust, corrosion, contamination and products of oil deterioration. Most problems can be minimized or avoided simply by maintaining a disciplined preventive maintenance program.

NOTE: When connecting the drive auger to a hydraulic system other than an ICE power unit, consult their maintenance manual and have the hydraulic fluid and all filter elements checked for possible replacement.



MODEL 1250
EARTH AUGER

OPERATING INSTRUCTIONS

IV. MAINTENANCE AND ADJUSTMENTS

F. LUBRICATION (CONTINUED)

Some simple steps to follow as part of a good preventive maintenance program are:

- a. Keep stored oil dry and clean at all times and always store in clean containers.
- b. Always clean tools, spouts, lids, funnels, etc. when used in conjunction with the transfer of oil.
- c. Never put dirty oil into the hydraulic system. Use only clean, uncontaminated oil of the types recommended below. Never return to the system any fluid which has leaked out.

NOTE: Foreign material in the hydraulic system can drastically effect the life and operation of many hydraulic component parts.

- d. Clean or replace filter elements at the first indication that they are dirty or ineffective.

Mixing of different manufacturer's hydraulic fluid is not recommended. However, it can be done if the fluids are miscible (contain the same base and additive). It may be necessary to contact an oil supplier to determine this.

New power units are shipped with MOBIL DTE-15 hydraulic oil. The following recommended fluids may be used when replacing fluid in the hydraulic system.

FIRST Preference Group:

| | |
|-------|--------|
| MOBIL | DTE-15 |
| SUN | 2105 |

SECOND Preference Group:

| | |
|----------|----------------|
| AMOCO | Rykon MV |
| ARCO | Duro AW32 |
| CHEVRON | Hydraulic AW32 |
| PHILLIPS | Magnus A32 |
| SHELL | Tellus 32 |

THIRD Preference Group:

| | |
|--------|---------------|
| BORON | Energol HLP32 |
| CITGO | All-Temp HD |
| CONOCO | Super 32 |
| EXXON | Nuto H32 |
| GULF | Harmony 32AW |
| SUN | Sunvis 805 MG |
| TEXACO | Rando HD AZ32 |
| UNION | Unax AW32 |



MODEL 1250
EARTH AUGER

OPERATING INSTRUCTIONS

IV. MAINTENANCE AND ADJUSTMENTS

F. LUBRICATION (CONTINUED)

Whenever fluids from the second preference group are used, it is necessary to test the oil more often to insure that viscosity remains within recommended limits while in service. Using fluids from the third preference group requires even a more discerning inspection than use of fluids from the second group.

The recommended fluids were chosen based on the hydraulic system operating temperature range being 5°F (-15°C) (cold [ambient] start-up) to 160°F (71°C) (maximum operating).

When operating in arctic conditions, it is recommended to use an immersion heater to pre-heat the oil prior to starting. It may also be necessary in extremely cold or hot climates to use a different viscosity oil which is better adapted to adverse conditions. Contact the nearest oil supply representative for suggested procedures.

MOBIL DTE-15 hydraulic fluid is available from ICE in five gallon cans. See SECTION VIII - ORDERING PARTS, page VIII-45

G. CAPACITIES

| | |
|---------------------------------|-------------|
| 1. Diesel Engine Crankcase | 14 Quarts |
| 2. Hydraulic System (Reservoir) | 270 Gallons |
| 3. Fuel Tank Sub-Base (Diesel) | 110 Gallons |
| 4. Engine Cooling System | 40 Quarts |

H. DRAINING AND FILLING HYDRAULIC FLUID RESERVOIR.

1. The hydraulic reservoir is drained by removing a plug on the bottom of the reservoir.
2. The hydraulic reservoir is filled by the manual pump mounted on the back (engine side) of the reservoir. All fluid is pumped to the reservoir through the return filter (F2) to insure no dirt enters the hydraulic system.



MODEL 1250
EARTH AUGER

OPERATING INSTRUCTIONS

IV. MAINTENANCE AND ADJUSTMENTS

I. CLEANING HYDRAULIC PICK-UP FILTER

1. Drain hydraulic reservoir (See Section H, previous page).
2. Remove the top cover of the reservoir.

CAUTION: It is absolutely imperative that no dirt or other impurities be permitted to contaminate the hydraulic fluid. Any contamination will drastically shorten the life of the high-pressure hydraulic system.

3. The pick-up filter is connected to the input pipe for the hydraulic drive pump. Remove the entire filter assembly by unscrewing from inner wall of reservoir.
4. Disassemble and clean entire filter in clean solvent or diesel fuel.
5. Replace filter. Carefully replace top cover of reservoir after cleaning so that no dirt is allowed to fall into reservoir opening. Refill reservoir with recommended hydraulic fluid.

J. CHANGING HYDRAULIC RETURN FILTER ELEMENT

1. The return filter is located in the hydraulic reservoir below the hand pump.
2. To remove elements, remove the four hex-head screws and remove the cover assembly. Screw driver slots are provided at the bottom to aid in removing the filter cover.
3. Remove the bypass valve and spring assembly from filter housing. Remove the two filter elements.
4. Clean filter housing interior and all component parts with a lint-free rag.
5. Check O-ring for damage. Lubricate with multi-purpose grease.
6. Install two new elements.
7. Replace bypass valve and spring assembly into housing.
8. Replace filter cover and tighten four hex screws.



MODEL 1250
EARTH AUGER

OPERATING INSTRUCTIONS

V. HYDRAULIC CIRCUITRY

(REFER TO HYDRAULIC SCHEMATIC, PG. V-4)

A. AUGER MOTOR

With the diesel engine running, hydraulic fluid is taken from the reservoir by the DRIVE PUMP (P1). Prior to entering the drive pump, the fluid is filtered by the PICK-UP FILTER (F1). The drive pump flow returns to the reservoir if the auger switch on the pendant is set at OFF.

Moving the switch on the control pendant to FOR. operates the MOTOR VALVE (V2) directing flow to the AUGER MOTOR (MA). The motor starts in the forward direction. Full motor speed is reached within a few seconds. Motor drive pressure is indicated by the DRIVE PRESSURE GAGE (MG). Maximum drive pressure is limited to approximately 2400 PSI by the DRIVE PRESSURE RELIEF VALVE (RV1). Case drain fluid from the motor returns to the reservoir. Case drain pressure is limited to 50 PSI by CASE DRAIN RELIEF VALVE (RV3).

Moving the auger switch to OFF operates the MOTOR VALVE directing flow to the reverse side of the motors. The motor stops.

Moving the auger switch to REV. operates the MOTOR VALVE directing flow to the reverse side of the motors. The motor starts in the reverse direction.

Turning the MANUAL VALVE (MV2) in the counter-clockwise direction operates the WARM-UP VALVE (V3) which moves a restriction into the auger-forward circuit. With the auger switch turned to FOR., only about 20% of the flow can pass the restriction. The remaining 80% is forced over the DRIVE PRESSURE RELIEF VALVE (RV1). This generates heat and warms the hydraulic fluid.

Turning the MANUAL VALVE (MV2) in the clockwise direction operates the WARM-UP VALVE to remove the restriction from the auger-forward circuit. Full-speed operation can occur.



MODEL 1250
EARTH AUGER

OPERATING INSTRUCTIONS

V. HYDRAULIC CIRCUITRY

B. CROWD MOTOR (Optional auger crowd package)

The optional auger crowd package includes the following hydraulic components: motor, cross-relief valve, quick-disconnect couplers and hoses. If the auger is equipped with the crowd package, it operates as follows:

With the diesel engine running, hydraulic fluid is taken from the reservoir by the CROWD PUMP (P2). The fluid returns to the reservoir if the CROWD VALVE (V1) is in the central position.

Moving the CROWD VALVE to OPEN directs flows to the crowd motor. The motor starts and moves the auger in the direction of drilling (crowds auger). Moving the valve to CLOSE moves the auger away from the direction of drilling (extracts the auger). Moving the valve to the center position stops the crowd motor.

C. OTHER

The quick disconnect couplings (QD1, QD2, QD3, QD4 and QD5) permit decoupling of the auger, crowd and case drain hoses at the power unit.

Returning fluid is filtered by the RETURN FILTER (F2). The return filter CHECK VALVE (CV3) prevents fluid loss from the reservoir when the filter elements are removed.

The MANUAL VALVE (MV1) may be closed to permit removal of the pumps (P1 and P2) without draining the reservoir.

The OIL COOLER (OC) cools the hydraulic fluid returning from the vibrator.

A MANUAL PUMP (MP) is provided to fill the hydraulic reservoir. A CHECK VALVE (CV2) prevents loss of fluid from the reservoir back through the pump.

A TEMPERATURE SWITCH (TS) located in the reservoir, operates the hydraulic fluid cold light.

A CROSS-RELIEF VALVE (RV4) is located at the crowd motor.



MODEL 1250
EARTH AUGER

OPERATING INSTRUCTIONS

V. HYDRAULIC CIRCUITRY

C. OTHER (CONTINUED)

The WARM-UP VALVE (MV2) is normally set in the RUN position (turned fully clockwise) for power unit normal operation. But for warming of the auger motor it must be turned to the "warm-up" position (turned fully counter-clockwise). After auger motor warm-up has been concluded, the valve must be returned to the RUN position for normal operation.



MODEL 1250
EARTH AUGER

OPERATING INSTRUCTIONS

V. HYDRAULIC CIRCUITRY

D. HYDRAULIC COMPONENTS LIST

| <u>NOTATION</u> | <u>DESCRIPTION</u> | <u>PART NUMBER</u> | <u>PAGE REFERENCE</u> |
|-----------------|----------------------------|------------------------|---------------------------|
| CV1 | Crowd Check Valve | 110149 | VIII-31 |
| CV2 | Manual Pump Check Valve | 100451 | VIII-19 |
| CV3 | Return Filter Check Valve | | VIII-19 |
| E | Diesel Engine | 400257 | VIII-19 |
| F1 | Pick-Up Filter | 400087 | VIII-19 |
| F2 | Return Filter | 400085 | VIII-19 |
| MA | Auger Motor | 400001 | VIII- 7/11 |
| MC | Crowd Motor | 400349 | VIII-37 |
| MG | Pressure Gage | 130059 | VIII-25 |
| MP | Manual Pump | 100447 | VIII-19 |
| MV1 | Manual Valve (Suction) | 400117 | VIII-19 |
| MV2 | Manual Valve (Warm-Up) | 130123 | VIII-29 |
| OC | Oil Cooler | 400099 | VIII-22 |
| P1, P2 | Drive Pump | 130029 | VIII-19 |
| QD1 | Forward Coupler (Return) | 400093 | VIII-20 |
| QD2 | Reverse Coupler (Pressure) | 400111 | VIII-20 |
| QD3 | Advance Coupler | 100777 | VIII-20 |
| QD4 | Extract Coupler | 100245 | VIII-20 |
| QD5 | Case Drain Coupler | 400095 | VIII-20 |
| RV1 | Drive Relief Valve | 130133 | VIII-29 |
| RV3 | Case Drain Relief Valve | 100032 | VIII- 7/11 |
| RV4 | Cross-Relief Valve | 400417 | VIII-37 |
| TS | Temperature Switch | 810031 | VIII-20 |
| V1 | Crowd Control Valve | 130033 | VIII-31 |
| V2 | Motor Valve | 400089 | VIII-29 |
| V3 | Warm-Up Valve | 130101 | VIII-29 |



MODEL 1250
EARTH AUGER

OPERATING INSTRUCTIONS

VI. ELECTRICAL CIRCUITRY

(REFER TO ELECTRICAL SCHEMATIC, PG. VI-3)

A. DIESEL ENGINE

The BATTERY provides 12-volt current to start the diesel engine. With the auger switch on the pendant turned to OFF, turning the ENGINE START SWITCH to START energizes the START RELAY which energizes the START MOTOR and turns over the diesel engine. If fuel is available, the diesel engine will start. In order for fuel to be available to the engine, the SAFETY SWITCH must be closed to energize the FUEL SOLENOID. The FUEL SOLENOID opens the fuel rack and allows fuel to flow to the engine. With the diesel engine running, the AMMETER indicates charging amperes. The HOUR METER indicates engine operating hours.

A system of safety controls shuts off the fuel supply, thereby stopping the diesel engine in the event that engine water temperature is too high or engine oil pressure is too low. The heart of the safety system is the SAFETY SWITCH which is normally closed, thereby providing current to operate the HOUR METER and to energize the FUEL SOLENOID. Energizing the fuel solenoid opens the fuel rack and allows fuel to flow to the diesel engine. With the safety switch closed, current is also available at the auger switch (FOR-REV). The SAFETY SWITCH must remain closed so that fuel continues to flow to the diesel engine.

If the coil in the SAFETY SWITCH is energized, the SAFETY SWITCH will open shutting off the fuel to the diesel engine. The engine will stop. The coil may be energized by either of the following devices:

1. Engine Oil Pressure Gage - if oil pressure is below 15 PSI, the contacts of the gage will be closed providing current to energize the coil. On start-up, the reset button of the safety switch (on the control panel) must be held until oil pressure exceeds 30 PSI.
2. Engine Water Temperature Gage - if water temperature exceeds 215°F, the contacts of the gage will close, de-energizing the coil.

The diesel engine is stopped by turning the ENGINE START SWITCH to OFF. This will de-energize the FUEL SOLENOID shutting off the fuel to the engine.



MODEL 1250
EARTH AUGER

OPERATING INSTRUCTIONS

VI. ELECTRICAL CIRCUITRY

B. AUGER MOTOR

With the diesel engine running and the MAIN POWER switch ON, turning the auger switch (FOR/OFF/REV) to FOR, energizes the auger-forward solenoid (FORWARD) of the motor valve. The motor valve sends hydraulic fluid to the auger motor. The motor starts in the forward direction.

With the diesel engine running and the MAIN POWER switch ON, turning the auger switch (FOR/OFF/REV) to REV, energizes the auger-reverse solenoid (REVERSE) of the motor valve. The motor valve sends hydraulic fluid to the auger motor. The motor starts in the reverse direction.

Turning the auger switch to OFF de-energizes motor valve.

C. CROWD PACKAGE (OPTIONAL)

With the diesel engine running and the MAIN POWER switch ON, turning the crowd switch (OPEN/CLOSE) to OPEN energizes the advance solenoid (ADVANCE) of the crowd valve. The crowd valve sends hydraulic fluid to the crowd motor. The motor moves the auger in the direction for drilling.

With the diesel engine running and the MAIN POWER switch ON, turning the crowd switch (OPEN/CLOSE) to CLOSE energizes the extract solenoid (EXTRACT) of the crowd valve. The crowd valve sends hydraulic fluid to the crowd motor. The motor moves the auger in the direction for retraction.

D. OTHER

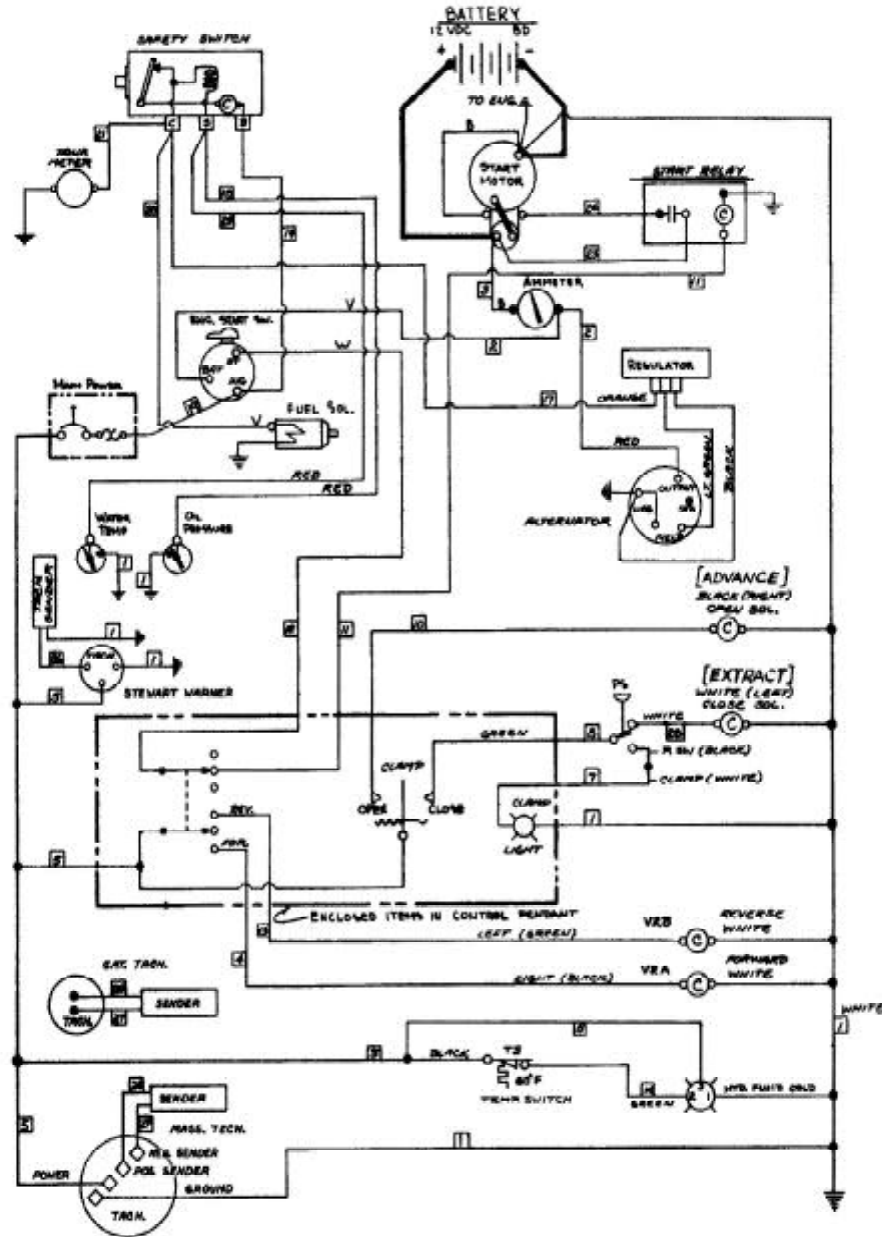
With the MAIN POWER switch ON, if the temperature of the hydraulic fluid is below 60°F, the TEMPERATURE SWITCH closes and the HYDRAULIC FLUID COLD light comes on. When the temperature of the hydraulic fluid exceeds 60°F, the TEMPERATURE SWITCH turns out the HYDRAULIC FLUID COLD light.



MODEL 1250
EARTH AUGER

OPERATING INSTRUCTIONS

VI. ELECTRICAL CIRCUITRY ELECTRICAL SCHEMATIC





MODEL 1250
EARTH AUGER

OPERATING INSTRUCTIONS

VI. ELECTRICAL CIRCUITRY

E. ELECTRICAL COMPONENTS LIST

| <u>NOTATION</u> | <u>REFERENCE</u> | <u>PART NUMBER</u> | <u>PAGE REFERENCE</u> |
|-------------------|-----------------------------------|------------------------|---------------------------|
| ADVANCE SOL. | Advance Solenoid | 130033 | VIII-31 |
| AMMETER | Ammeter | 110371 | VIII-25 |
| BATTERY | 12-Volt Battery | 100529 | VIII-22 |
| ENG. START SW. | Engine Start Switch | 130259 | VIII-25 |
| EXTRACT SOL. | Extract Solenoid | 130033 | VIII-31 |
| FORWARD | Auger Forward Solenoid | 400089 | VIII-29 |
| FOR-REV | Forward/Reverse Switch | 130155 | VIII-25 |
| FUEL SOL. | Fuel Valve Solenoid | See Caterpillar | Parts Book |
| HOUR METER | Hour Meter | 100343 | VIII-25 |
| HYD. FLUID COLD | Hydraulic Fluid Warning Light | 100355 | VIII-25 |
| MAIN POWER | Main Power Circuit Breaker | 400141 | VIII-25 |
| OIL PRESSURE | Oil Pressure Gage/Switch | 100329 | VIII-25 |
| OPEN-CLOSE | Advance/Retract Switch | 130155 | VIII-25 |
| PS | Pressure Switch | 810033 | VIII-31 |
| REGULATOR | Regulator | See Caterpillar | Parts Book |
| REVERSE | Auger Reverse Solenoid | 400089 | VIII-29 |
| SAFETY SWITCH | Safety Switch (Reset) | 130257 | VIII-25 |
| START MOTOR | Engine Starter | See Caterpillar | Parts Book |
| START RELAY | Engine Start Relay | See Caterpillar | Parts Book |
| TEMP. SWITCH (TS) | Temperature Switch | 810031 | VIII-21 |
| WATER TEMP. | Water Temperature Gage/ Switch | 130251 | VIII-25 |

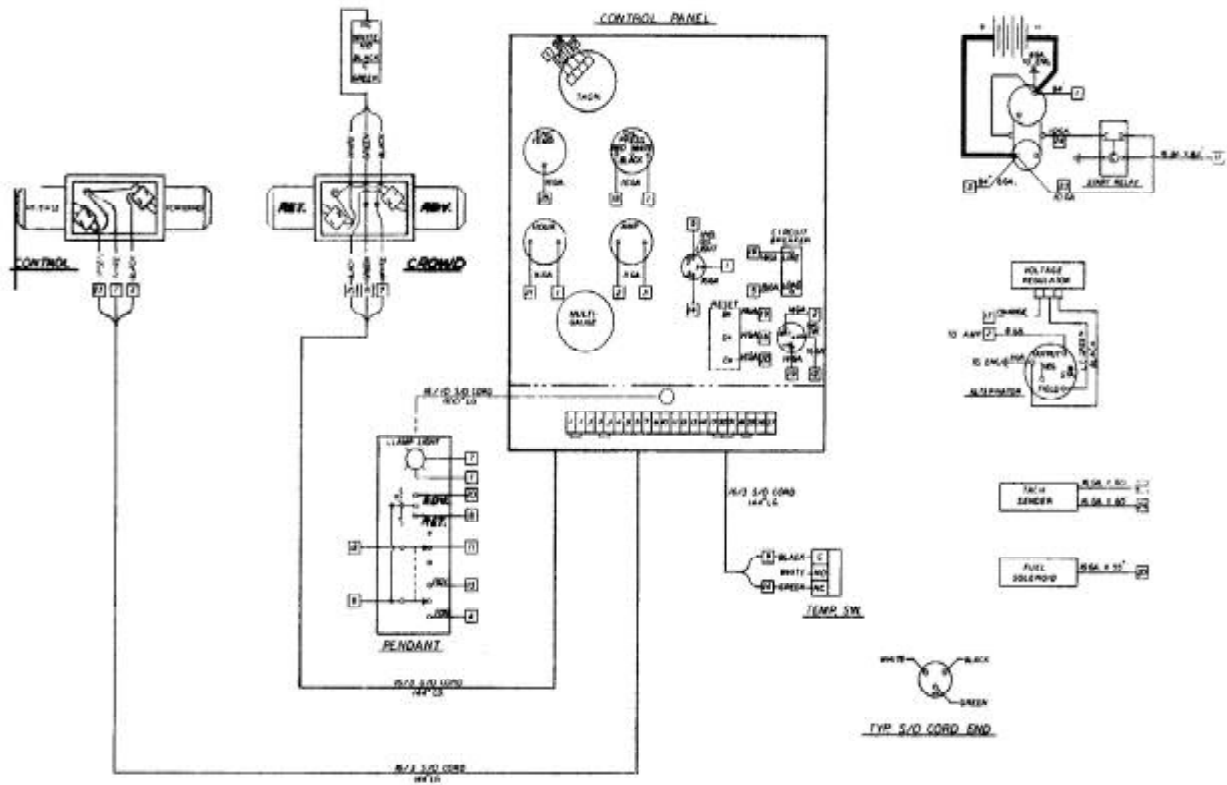


**MODEL 1250
EARTH AUGER**

**OPERATING
INSTRUCTIONS**

VI. ELECTRICAL CIRCUITRY

F. WIRING DIAGRAM





VII. GENERAL DATA

A. ABBREVIATIONS

The abbreviations shown below are used throughout the parts lists:

| | |
|-------|-----------------------------|
| Assy. | Assembly |
| BHCS | Button head cap screw |
| Cyl. | Cylinder |
| DC | Direct current |
| FHCS | Flat head cap screw |
| HC | High collar |
| HHCS | Hex head cap screw |
| HSSS | Hex socket set screw |
| Hyd. | Hydraulic |
| mm | Millimeter |
| NPT | National pipe thread |
| PHMS | Phillips head machine screw |
| P/N | Part number |
| Qty. | Quantity |
| RPM | Revolutions per minute |
| SHCS | Socket head cap screw |
| SHSS | Socket head shoulder screw |
| S/N | Serial number |
| Sol. | Solenoid |

B. SERIAL NUMBER LOCATIONS

1. The following ICE auger units are serial numbered separately:
 - a. Auger Unit
 - b. Power Unit

2. In addition to the serial number plate itself (on drive unit and power unit), the serial number is stamped into each unit in one or more places as follows:
 - a. Drive unit is stamped on top between shaft and hose cover.

 - b. Power unit is stamped twice - once on control panel side of unit at right corner of reservoir and once on sub-base inside door below hex-key rack.



MODEL 1250
EARTH AUGER

PARTS LIST

VII. GENERAL DATA

C. SCREWS AND BOLTS

1. Practically all connections on the unit are made with socket head (Allen head) cap screws. These high-strength screws are available at most industrial supply houses.
2. Screws and bolts are designated in the PARTS LIST in an abbreviated form. (Refer to sub-section A, page VII-1 for specific abbreviations). The information, in parentheses, immediately following the bolt or screw designation shows the size as follows:

| | |
|------------------|---------------------|
| (1/2-13 x 1-1/2) | 1/2" Diameter |
| | 13 Threads per inch |
| | 1-1/2 Length |



**MODEL 1250
EARTH AUGER**

PARTS LIST

VIII. ORDERING PARTS

A. PROCEDURE

1. When ordering parts, be sure to include the model and serial number of the unit or component. The serial number may be located by referring to subsection B, page VII-1, SERIAL NUMBER LOCATIONS. Confirm all telephone orders immediately to avoid duplicating shipment.
2. ORIGINAL EQUIPMENT: Where serial numbers are given, these apply only to equipment and components originally furnished with the unit. Where equipment has been changed or added to, these numbers may not necessarily apply.
3. SHIPMENT: State to whom shipment is to be made and method of shipment desired, otherwise our own judgment will be used.
4. SHORTAGES: Claims for shortages or errors should be made immediately upon receipt of parts. No responsibility will be assumed for delay, damage or loss of material while in transit. Broken, damaged or lost material should be refused or a full description made of damage or loss to the carrier agent on the freight or express bill.
5. RETURN OF PARTS: If for any reason you desire to return parts to the factory or to any distributor from whom these parts were obtained, you must first secure permission to return the parts. Shipping instructions will be given along with this permission. A fifteen percent handling charge must be assessed against the returned shipment unless an error is made by the factory or by the distributor when filling your order.

B. FITTING DESCRIPTION KEY

The FITTING DESCRIPTION CODE is a 24 digit coded description identifying all pertinent information relating to a specific fitting such as; configuration, end size, end style, etc. The FITTING DESCRIPTION KEY for determining such data is shown on the following pages.



**MODEL 1250
EARTH AUGER**

PARTS LIST

VIII. ORDERING PARTS

B. FITTING DESCRIPTION KEY

F I T T 2 L - 1 6 M 1 2 J 0 0 0 - 0 0 L 0 0 0 1

SELECTOR INDEX

- 2 - INCH FITTINGS
- 9 - METRIC FITTINGS

CONFIGURATION OR SHAPE OF FITTING

- S - STRAIGHT FITTING
- L - 90 DEG. ELBOW
- V - 45 DEG. ELBOW
- T - TEE
- C - CAP
- P - PLUG
- U - UNION, PIPE
- X - CROSS
(FOURTH END FITTING REQD)

FIRST END SIZE

- * IN SIXTEENTHS OF AN INCH (INDEX 2)
- IN MILLIMETERS (INDEX 9)
- SEE GENERAL SPECIFICATION SHEET FOR SEQUENCE OF ORDER.

FIRST END FITTING STYLE

SEE FITTING STYLE SELECTOR CHART SC-1

SECOND END SIZE

IF APPLICABLE - SEE FIRST END SIZE

SECOND END FITTING STYLE

IF APPLICABLE - SEE FIRST END FITTING STYLE

THIRD END SIZE

IF APPLICABLE - SEE FIRST END SIZE

THIRD END FITTING STYLE

IF APPLICABLE - SEE FIRST END FITTING STYLE

| * EXCEPTIONS | |
|--------------|---------------|
| 90 | 10 INCHES |
| 92 | 12 " |
| 94 | 14 " |
| 96 | 6 " |
| 98 | 8 " |
| 99 | NON CODE SIZE |

LENGTH CODE

- (PIPE NIPPLES (LONG) ONLY)
- IN DECIMAL INCHES FOR INDEX 2
- 050 = 5.0 INCHES
- 105 = 10.5 INCHES
- IN MILLIMETERS FOR INDEX 9
- 120 = 12.0 MILLIMETERS
- 084 = 8.4 MILLIMETERS

MATERIAL

- 1 - CARBON STEEL
- 2 - BRASS
- 3 - CAST BRASS
- 4 - STAINLESS STEEL
- 5 - A.A.R. MAL. IRON
- 6 - MALLEABLE IRON
- 7 - CAST IRON
- 8 - FORGED STEEL
- 9 - ALUMINUM

SPECIAL NOTATIONS

- 0 - NONE
- A - TAPPED HOLE IN FITTING
- D - ORIFICE
- F - SPECIAL FAB. NON-STOCK ITEM
- G - GALVANIZED
- M - MAGNETIC

PRESSURE RATING

- 0 - NOT APPLICABLE
- 1 - 125 LB.
- 2 - STANDARD WEIGHT (40)
- 4 - EXTRA HEAVY (80)

INSTALLATION AND OR STYLE OF HEAD

- 0 - NOT APPLICABLE
- H - REGULAR HEX
- W - WIDE OR LARGE HEX
- Q - SQUARE HEAD (EXT.)
- R - SQUARE HEAD (INT.)
- S - HEX HD. (INT. SOCKET)
- T - HEX HEAD (EXT.)

LENGTH CODE

- (ELBOWS/NIPPLES)
- L-- - LONG (ELBOW)
- X-- - EXTRA LONG (ELBOW)
- C-- - CLOSE (NIPPLE)
- S-- - SHORT (NIPPLE)

FOURTH END SIZE AND

FOURTH END FITTING STYLE

(CROSSES ONLY)
SEE FIRST END FITTING SIZE OR END STYLE









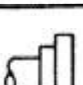
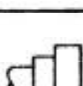
MODEL 1250
EARTH AUGER

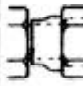
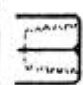



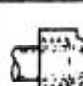
PARTS LIST

FITTING STYLE SELECTOR CHART

SC-1

FOR END FITTING STYLE SELECTION

| | | |
|---|---|--|
| M |  | JIC MALE 37° FLARE |
| P |  | MALE PIPE NPTF |
| R |  | S.A.E. MALE O-RING (4 ADJUSTABLE) |
| B |  | JIC MALE 37° FLARE BULKHEAD |
| D |  | MALE PIPE NPTF - SWIVEL |
| S |  | B.S.P. MALE PIPE |
| F |  | SPLIT FLANGE STANDARD PRESSURE CODE G1 |
| H |  | SPLIT FLANGE HI PRESSURE CODE G2 |

| | | |
|---|---|--|
| J |  | JIC FEMALE 37° FLARE (4 SWIVEL) |
| Q |  | FEMALE PIPE NPTF |
| K |  | S.A.E. FEMALE O-RING |
| N |  | FEMALE PIPE NPSM - SWIVEL |
| E |  | COMPRESSION FITTING FLARELESS (WEATHERHEAD) |
| I |  | COMPRESSION FITTING FLARELESS (IMPERIAL EASTMAN) |
| | | |
| | | |



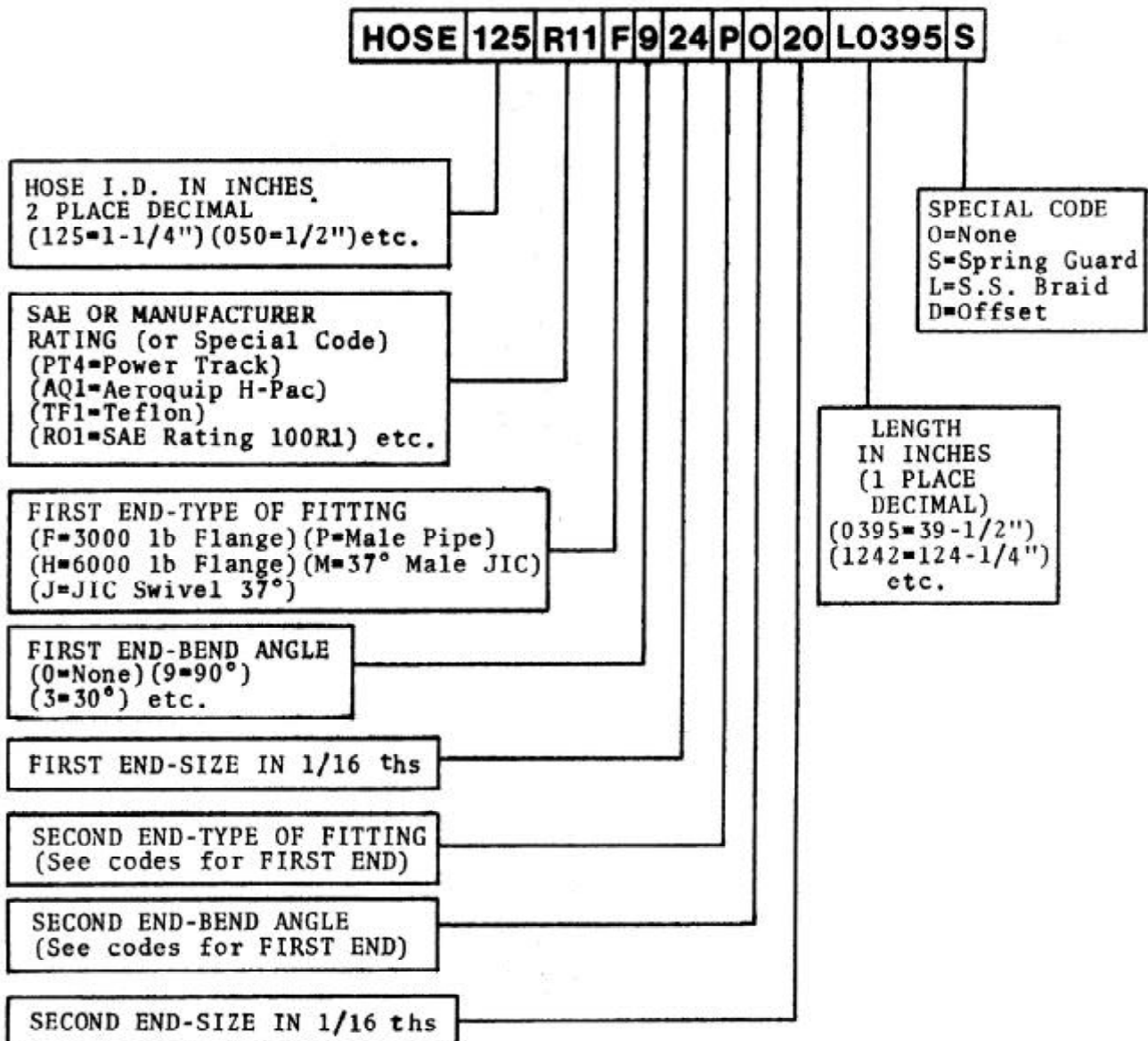
**MODEL 1250
EARTH AUGER**

PARTS LIST

VIII. ORDERING PARTS

C. HOSE DESCRIPTION CODE

The HOSE DESCRIPTION CODE is a 24 digit number enabling easier and quicker identification whenever a hose replacement is desired. The key below explains the structure of the coded number in detail.





MODEL 1250
EARTH AUGER

PARTS LIST

VIII. ORDERING PARTS

D. PARTS IDENTIFICATION

Parts lists and drawings are included on the following pages for those major components groupings shown below:

| | |
|---|--------|
| 1. Auger Drive Unit - Model 1250 | 800067 |
| 2. Auger Drive Unit - Model 2425 | 800069 |
| 3. Hose Assemblies - Interconnecting | 800071 |
| 4. Power Unit - Enclosure | 800019 |
| 5. Power Unit - Internal | 800017 |
| 6. Control Panel | 810027 |
| 7. Drive Control Manifold | 810023 |
| 8. Crowd Manifold | 810025 |
| 9. Silencer Group - Power Unit (Optional) | 800021 |
| 10. Crowd Assembly (Optional) | |
| 11. Crowd Drive Unit (Optional) | 800089 |
| 12. Crowd Blocks (Optional) | |
| Fixed | 800097 |
| Adjustable | 800099 |
| 13. Moveable Auger Guide (Optional) | 800141 |
| 14. Chain Anchor | 800095 |
| 15. 36" Spud Adapter | 800083 |
| 16. Pigtail Kit (Optional) | 850027 |

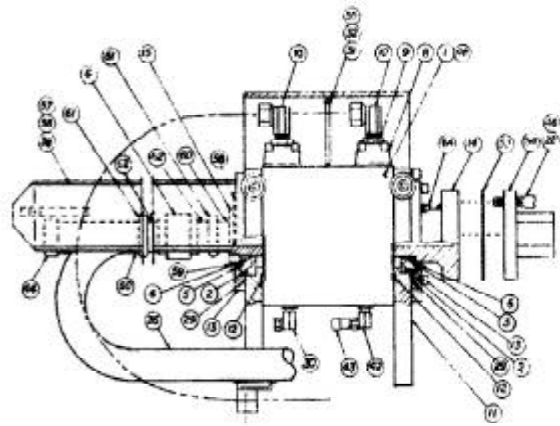
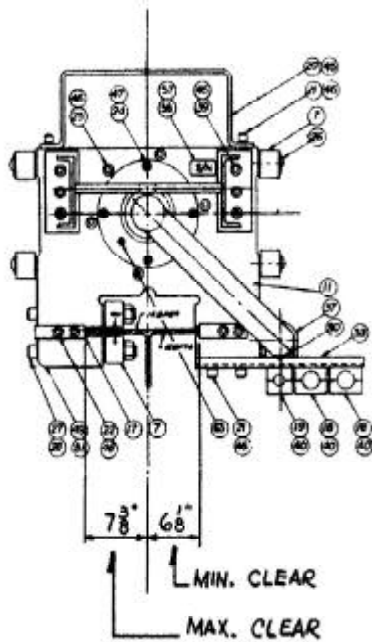


MODEL 1250
EARTH AUGER

PARTS LIST

DRIVE UNIT - MODEL 1250

800067





MODEL 1250
EARTH AUGER

PARTS LIST

DRIVE UNIT - MODEL 1250

800067

| Item | Part Number | Qty. | Description |
|------|-------------|------|--------------------------|
| 1 | 400001 | 1 | Motor (MA) |
| 2 | 400003 | 2 | Bearing Cup |
| 3 | 400005 | 1 | Bearing Cone |
| 4 | 400007 | 1 | Bearing Cone |
| 5 | 400009 | 2 | Seal |
| 6 | 400011 | 1 | Rotary Joint |
| 7 | 400013 | 8 | Cam Roller |
| 8 | 400015 | 2 | Solid Flange |
| 9 | 400017 | 2 | FITT2S-40P20Q000-0000308 |
| 10 | 400019 | 2 | FITT2L-20P20N000-000H001 |
| 11 | 400021 | 2 | Motor End Plate |
| 12 | 400023 | 2 | Pilot Ring |
| 13 | 400025 | 2 | Seal Housing |
| 14 | 400027 | 1 | Spline Shaft |
| 15 | 400029 | 1 | Retainer Nut |
| 17 | 400033 | 4 | Spud Guide |
| 18 | 100009 | 2 | Hose Clamp |
| 19 | 100013 | 1 | Hose Clamp |
| 20 | 400035 | 1 | Coupling Guard |
| 21 | 400037 | 6 | SHCS (3/4 - 10 x 1-1/4) |
| 22 | 400039 | 16 | SHCS (3/4 - 10 x 2-3/4) |
| 24 | 400043 | 8 | SHCS (1/2 - 13 x 2-1/4) |
| 25 | 400045 | 12 | SHCS (3/4 - 10 x 3-1/2) |
| 26 | 400321 | 8 | BHCS (1" - 8 x 3-1/4) |
| 27 | 400049 | 8 | SHCS (1" - 8 x 10-3/4) |
| 28 | 400051 | 8 | Nut (1" - 8) |
| 29 | 400053 | 2 | O-Ring (#273) |
| 30 | 400055 | 1 | FITT2L-12N10R000-000H001 |
| 31 | 400057 | 1 | Grease Fitting |
| 32 | 400059 | 1 | FITT2S-02P02P000-0800301 |
| 33 | 400061 | 1 | Clamp Bracket |
| 36 | 400063 | 1 | Wet Stem Attachment |
| 37 | 400065 | 1 | U-bolt |
| 38 | 400067 | 1 | Lifting Bail |
| 39 | 400069 | 6 | SHCS (3/4 - 10 x 2) |
| 40 | 100011 | 6 | SHCS (1/2 - 13 x 2) |
| 42 | 400071 | 1 | FITT2L-10R08N000-000H001 |
| 43 | 100032 | 1 | Relief Valve (RV3) |
| 44 | 100417 | 2 | FITT2C-48Q000000-0000306 |



MODEL 1250
EARTH AUGER

PARTS LIST

DRIVE UNIT - MODEL 1250 (CONTINUED)

800067

| Item | Part Number | Qty. | Description |
|------|-------------|------|--------------------------|
| 46 | 100069 | 40 | Lockwasher (3/4) |
| 47 | 100121 | 8 | Lockwasher (1/2) |
| 48 | 100646 | 2 | FITT2P-02P000000-0005007 |
| 50 | 400291 | 1 | Wet Stem Key |
| 53 | 400273 | 1 | Gasket |
| 54 | 800075 | 1 | 2-1/4" Hex Drive Adapter |
| | 800077 | 1 | 3" Hex Drive Adapter |
| | 800079 | 1 | 3" API Drive Adapter |
| 56 | 130381 | 4 | Rivet |
| 57 | 400419 | 1 | Serial Number Plate |
| 58 | 400469 | 1 | Grout Shield |
| 59 | 400485 | 1 | HSSS (3/8 - 16 x 1) |
| 60 | 400471 | 2 | Weld Adapter |
| 61 | 400477 | 2 | Coupling |
| 62 | 400473 | 2 | Thread Adapter |
| 63 | 400497 | 1 | Grease Fitting (1/8") |
| 64 | 100229 | 1 | Grease Fitting |

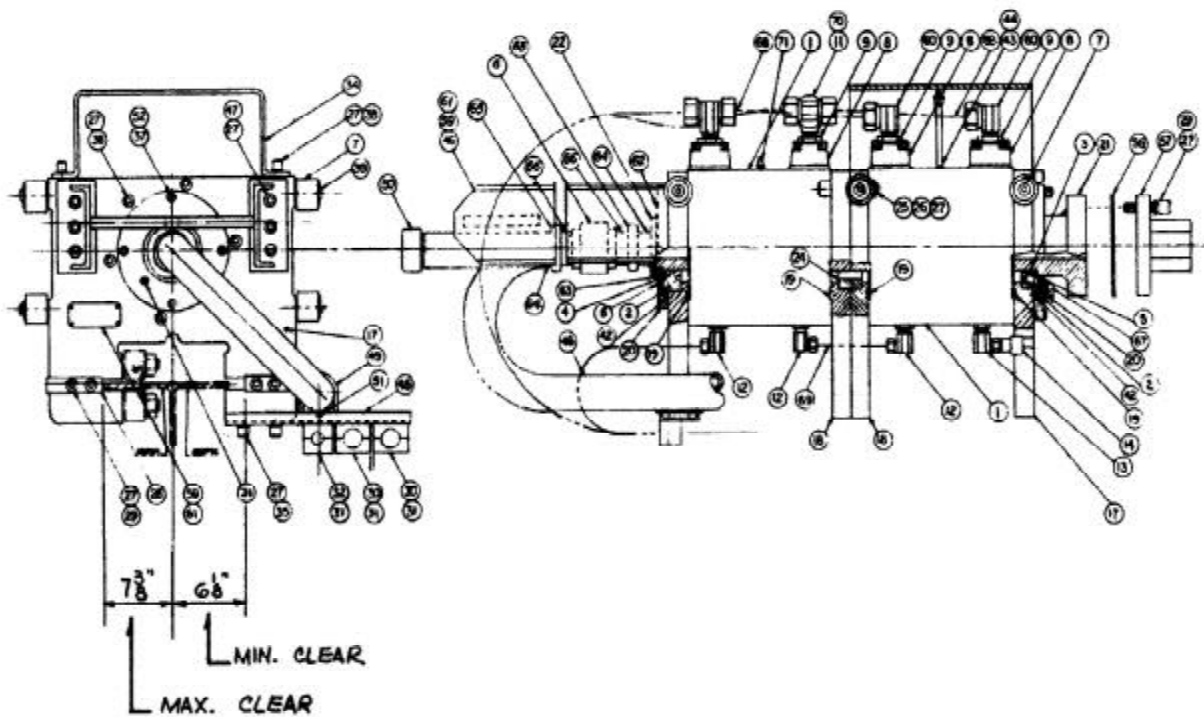


MODEL 1250
EARTH AUGER

PARTS LIST

DRIVE UNIT - MODEL 2425

800069





MODEL 1250
EARTH AUGER

PARTS LIST

DRIVE UNIT - MODEL 2425

800069

| Item | Part Number | Qty. | Description |
|------|-------------|------|--------------------------|
| 1 | 400001 | 2 | Motor (MA) |
| 2 | 400003 | 2 | Bearing Cup |
| 3 | 400005 | 1 | Bearing Cone |
| 4 | 400007 | 1 | Bearing Cone |
| 5 | 400009 | 2 | Seal |
| 6 | 400011 | 1 | Rotary Joint |
| 7 | 400013 | 12 | Cam Roller |
| 8 | 400015 | 4 | Solid Flange |
| 9 | 400017 | 4 | FITT2S-40P20Q000-0000308 |
| 11 | 400431 | 2 | FITT2T-20N20N20P-000H001 |
| 12 | 400055 | 3 | FITT2L-12N10R000-000H001 |
| 13 | 400071 | 1 | FITT2L-10R08N000-000H001 |
| 14 | 100032 | 1 | Relief Valve (RV3) |
| 17 | 400021 | 2 | Motor End Plate |
| 18 | 400437 | 2 | Motor Center Plate |
| 19 | 400023 | 4 | Pilot Ring |
| 20 | 400025 | 2 | Seal Housing |
| 21 | 400427 | 1 | Spline Shaft |
| 22 | 400029 | 1 | Retainer Nut |
| 24 | 400439 | 1 | Guide Ring |
| 25 | 400441 | 4 | SHCS (3/4 - 10 x 5-1/2) |
| 26 | 100587 | 4 | Hex Nut (3/4 - 10) |
| 27 | 100069 | 38 | Lockwasher (3/4) |
| 28 | 400033 | 4 | Spud Guide |
| 29 | 400039 | 16 | SHCS (3/4 - 10 x 2-3/4) |
| 30 | 100009 | 2 | Hose Clamp |
| 31 | 100011 | 6 | SHCS (1/2 - 13 x 2) |
| 32 | 100013 | 1 | Hose Clamp |
| 34 | 400035 | 1 | Coupler Guard |
| 35 | 400037 | 6 | SHCS (3/4 - 10 x 1-1/4) |
| 37 | 400043 | 8 | SHCS (1/2 - 13 x 2-1/4) |
| 38 | 400045 | 12 | SHCS (3/4 - 10 x 3-1/2) |
| 39 | 400321 | 12 | BHCS (1 - 8 x 3-1/4) |
| 42 | 400053 | 2 | O-Ring (#273) |
| 43 | 400057 | 1 | Grease Fitting |
| 44 | 400059 | 1 | FITT2S-02P02P000-0800301 |
| 45 | 400061 | 1 | Clamp Bracket |



**MODEL 1250
EARTH AUGER**

PARTS LIST

DRIVE UNIT - MODEL 2425 (CONTINUED)

800069

| <u>Item</u> | <u>Part Number</u> | <u>Qty.</u> | <u>Description</u> |
|-------------|------------------------|-------------|--------------------------|
| 46 | 400067 | 1 | Lifting Bail |
| 47 | 400069 | 6 | SHCS (3/4 - 10 x 2) |
| 48 | 400063 | 1 | Wet Stem Attachment |
| 49 | 400065 | 1 | U-bolt |
| 50 | 100417 | 2 | FITT2C-48Q000000-0000306 |
| 51 | 400291 | 1 | Wet Stem Key |
| 52 | 100121 | 8 | Lockwasher (1/2) |
| 56 | 400273 | 1 | Flange Gasket |
| 57 | 800075 | 1 | 2-1/4" Hex Drive Adapter |
| | 800077 | 1 | 3" Hex Drive Adapter |
| | 800079 | 1 | 3" API Drive Adapter |
| 59 | 130381 | 4 | Rivet |
| 60 | 400221 | 2 | FITT2L-20M20P000-0000001 |
| 61 | 400465 | 1 | Serial Number Plate |
| 62 | 400469 | 1 | Grout Shield |
| 63 | 400485 | 1 | HSSS (3/8 - 16 x 1) |
| 64 | 400471 | 2 | Weld Adapter |
| 65 | 400477 | 2 | Coupling |
| 66 | 400473 | 2 | Thread Adapter |
| 67 | 400497 | 1 | Grease Fitting |
| 68 | 400487 | 2 | HOSE125R02P020P020L01770 |
| 69 | 400489 | 1 | HOSE075R01P012P012L00950 |
| 70 | 400499 | 1 | FITT2L-20P20Q000-000H001 |
| 71 | 100229 | 2 | Grease Fitting |

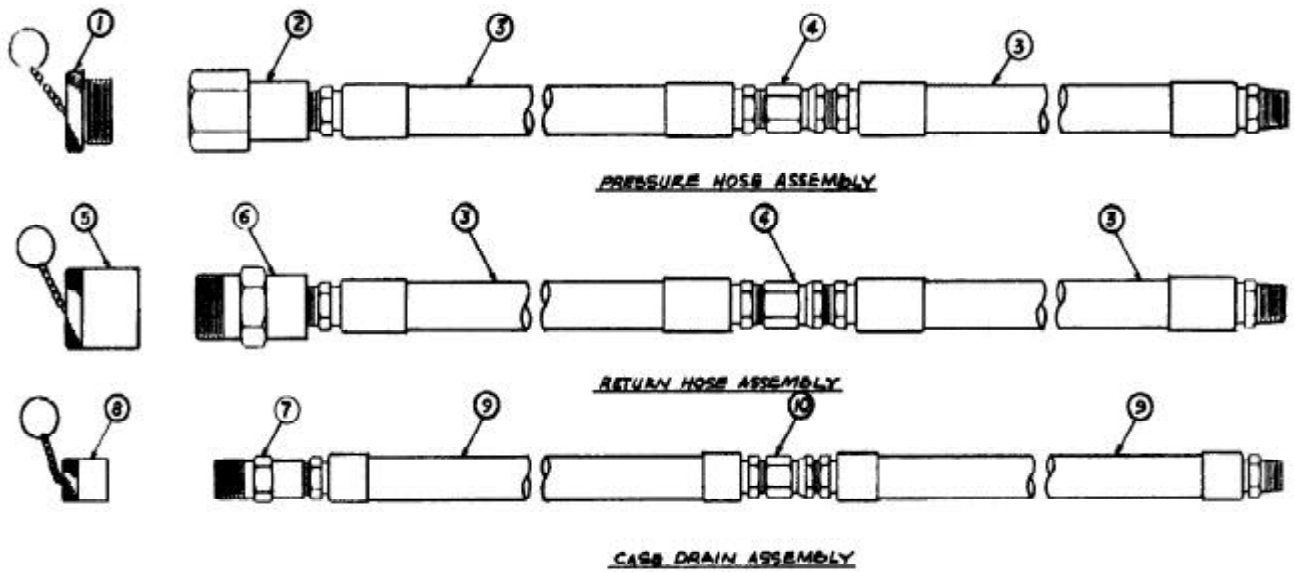


MODEL 1250
EARTH AUGER

PARTS LIST

HOSE ASSEMBLIES - INTERCONNECTING

800071





MODEL 1250
EARTH AUGER

PARTS LIST

HOSE ASSEMBLIES - INTERCONNECTING

800071

| <u>Item</u> | <u>Part Number</u> | <u>Qty.</u> | <u>Description</u> |
|-------------|------------------------|-------------|---------------------------|
| 1 | 400077 | 1 | Dust Plug (1-1/4) |
| 2 | 400111 | 1 | Female Disconnect (1-1/4) |
| 3 | 400249 | 4 | HOSE125R02P020P020L60000 |
| 4 | 100235 | 2 | FITT2S-20Q20N000-000H001 |
| 5 | 400079 | 1 | Dust Cap (1-1/4) |
| 6 | 400093 | 1 | Male Disconnect (1-1/4) |
| 7 | 400251 | 1 | Male Disconnect (3/4) |
| 8 | 400253 | 1 | Dust Cap (3/4) |
| 9 | 100241 | 2 | HOSE075R02P012P012L62000 |
| 10 | 100243 | 1 | FITT2S-12Q12N000-000H001 |
| | 130243 | 10 | Rubber Ties |

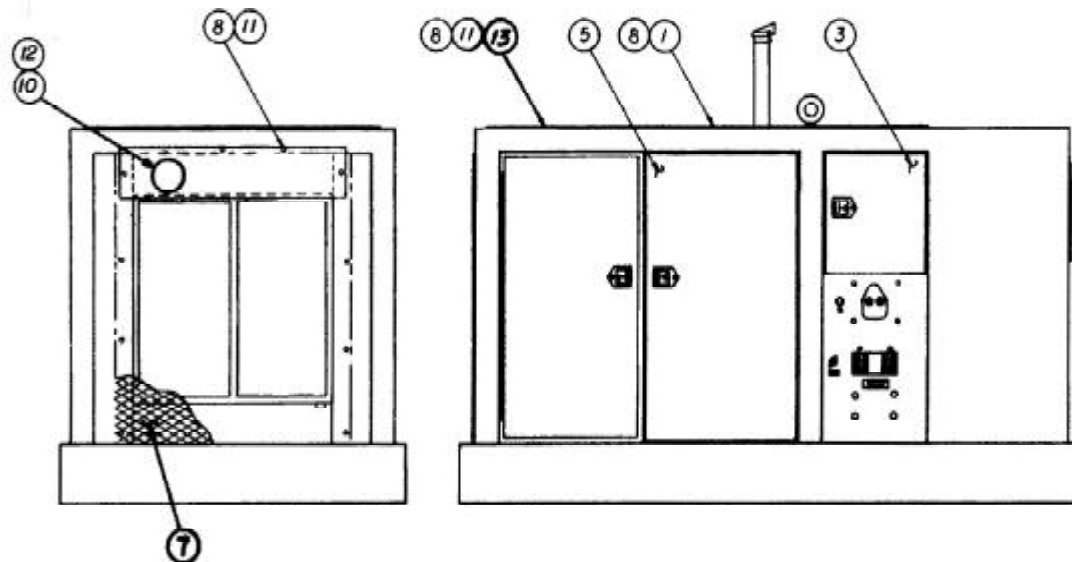
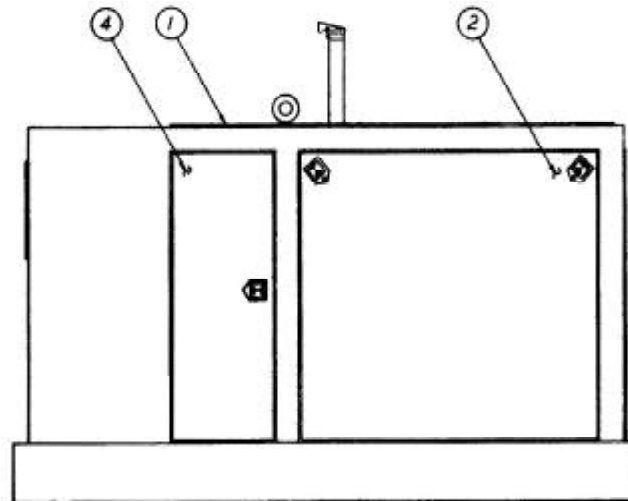


MODEL 1250
EARTH AUGER

PARTS LIST

POWER UNIT - ENCLOSURE

800019





MODEL 1250
EARTH AUGER

PARTS LIST

POWER UNIT - ENCLOSURE

800019

| Item | Part Number | Qty. | Description |
|------|-------------|------|--------------------------|
| 1 | 100889 | 1 | Top Cover |
| 2 | 100901 | 1 | Side Cover |
| 3 | 100865 | 1 | Cover Door |
| 4 | 100867 | 1 | Cover Door |
| 5 | 100869 | 1 | Cover Door |
| 7 | 810333 | 1 | Intake Grill |
| 8 | 130209 | 27 | Hex Tek (1/4 - 14 x 5/8) |
| 10 | 100951 | 1 | Flexible Pipe |
| 11 | 130227 | 15 | Fender Washer (1/4) |
| 12 | 130237 | 2 | Hose Clamp |
| 13 | 810331 | 1 | Exhaust Grill |

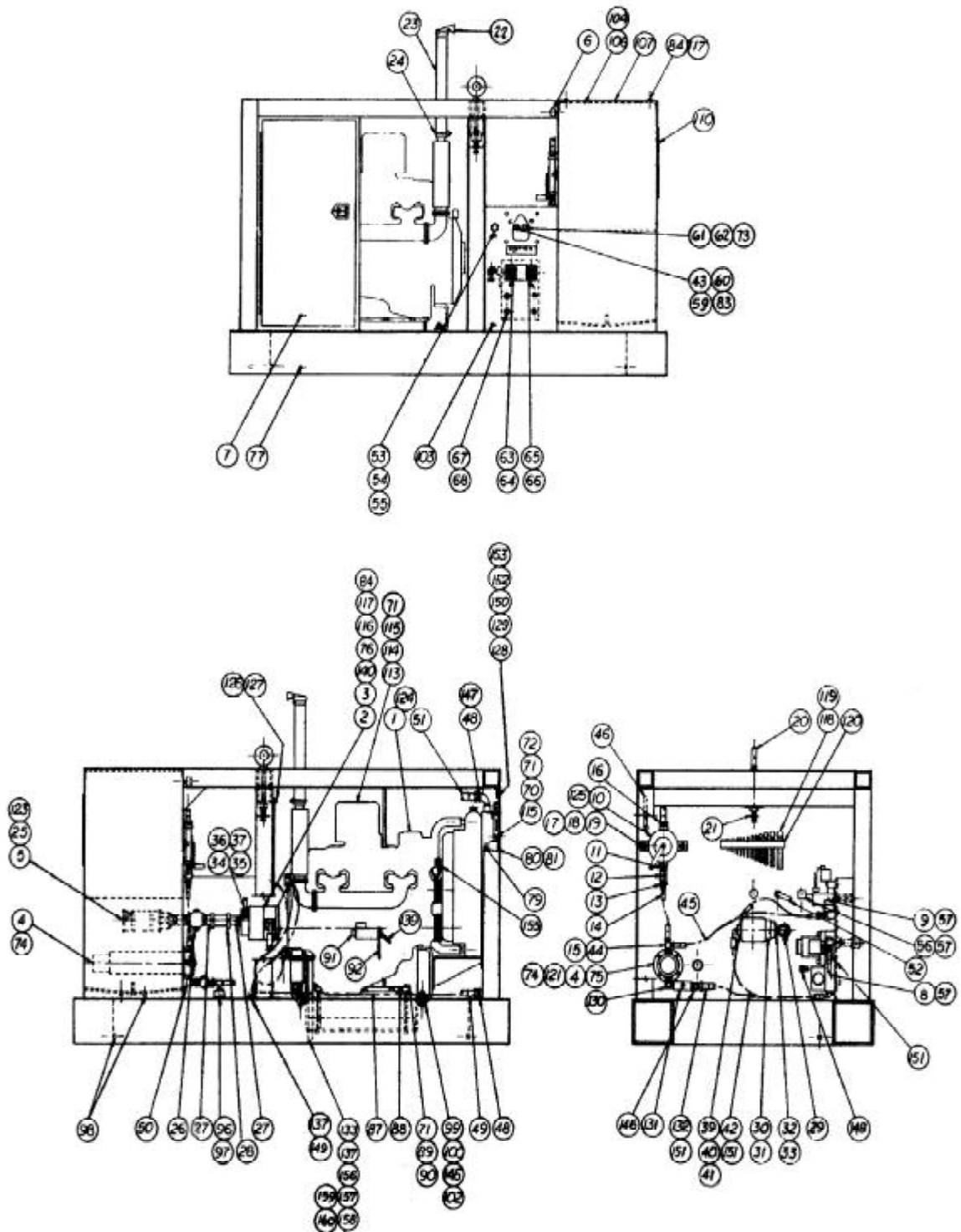


MODEL 1250
EARTH AUGER

PARTS LIST

POWER UNIT - INTERNAL

800017





MODEL 1250
EARTH AUGER

PARTS LIST

POWER UNIT - INTERNAL

800017

| Item | Part Number | Qty. | Description |
|------|-------------|------|--------------------------------|
| 1 | 400257 | 1 | Engine (E) |
| 2 | 400259 | 1 | Pump Adapter |
| 3 | 130029 | 1 | Dual Pump (P1, P2) |
| 4 | 400085 | 1 | Return Filter (F2)(CV3) |
| 5 | 400087 | 1 | Pick-up Filter (F1) |
| 6 | 100455 | 1 | Breather |
| 7 | 810027 | 1 | Control Panel Assembly |
| 8 | 810023 | 1 | Control Manifold Assembly |
| 9 | 810025 | 1 | Crowd Manifold Assembly |
| 10 | 100447 | 1 | Manual Pump (MP) |
| 11 | 100449 | 1 | FITT2S-16P16P000-000H001 |
| 12 | 100451 | 1 | Check Valve (CV2) |
| 13 | 100453 | 1 | FITT2S-16P12Q000-000H001 |
| 14 | 130223 | 1 | HOSE075R01J012P012L01100 |
| 15 | 130127 | 1 | FITT2T-12M12P12M-0000001 |
| 16 | 400215 | 1 | HOSE100R01P016P016L08400 |
| 17 | 100439 | 2 | SHCS (7/16 - 14 x 1-3/4) |
| 18 | 400153 | 2 | Flatwasher (7/16) |
| 19 | 100443 | 2 | Lockwasher (7/16) |
| 20 | 100460 | 1 | Eye Bolt with nut |
| 21 | 100722 | 1 | Roll Pin |
| 22 | 400265 | 2 | Exhaust Cap |
| 23 | 400263 | 2 | Exhaust Extension |
| 24 | 400267 | 2 | Exhaust Clamp |
| 25 | 400173 | 1 | FITT2S-48P40Q000-000H306 |
| 26 | 400117 | 1 | Manual Valve (stop cock) (MV1) |
| 27 | 130119 | 2 | FITT2S-40P000000-0450301 |
| 28 | 130139 | 1 | Flexible Coupling |
| 29 | 130137 | 1 | FITT2L-40P40Q000-0000405 |
| 30 | 400303 | 1 | Pick-up Flange |
| 31 | 110215 | 1 | O-Ring (#239) |
| 32 | 100085 | 4 | SHCS (5/8 - 11 x 2-1/4) |
| 33 | 100007 | 4 | Lockwasher (5/8) |
| 34 | 100049 | 2 | Split Flange Half (#12) |
| 35 | 100051 | 4 | SHCS (3/8 - 16 x 1) |
| 36 | 100097 | 1 | O-Ring (#214) |



MODEL 1250
EARTH AUGER

PARTS LIST

POWER UNIT - INTERNAL (CONTINUED)

800017

| Item | Part Number | Qty. | Description |
|------|-------------|------|---------------------------------|
| 37 | 130195 | 1 | HOSE050R09J008F012L02000 |
| 39 | 100596 | 2 | Split Flange Half (#24) |
| 40 | 100513 | 4 | SHCS (1/2 - 13 x 1-1/2) |
| 41 | 110119 | 1 | O-Ring (#225) |
| 42 | 130193 | 1 | HOSE125R09F920F924L04000 |
| 43 | 130203 | 1 | FITT2S-06P06P000-0300401 |
| 44 | 110205 | 1 | FITT2S-24P12Q000-000H001 |
| 45 | 130201 | 1 | HOSE075R01J012J012L04000 |
| 46 | 130179 | 1 | Gage and Thermometer |
| 48 | 400147 | 2 | FITT2L-24P24Q000-0000406 |
| 49 | 130395 | 1 | HOSE150R02P024J024L07100 |
| 50 | 100588 | 1 | FITT2L-24M24P000-0000001 |
| 51 | 130199 | 1 | HOSE125R01P020F020L08000 |
| 52 | 400175 | 1 | HOSE075R01P012J012L02500 |
| 53 | 100387 | 1 | FITT2S-12P12B000-000H001 |
| 54 | 400095 | 1 | Female Disconnect - 3/4 (QD5) |
| 55 | 400121 | 1 | Dust Plug |
| 56 | 810031 | 1 | Temperature Switch (TS) |
| 57 | 110231 | 3 | Cord S/O |
| 59 | 100777 | 1 | Female Disconnect - 3/8 (QD3) |
| 60 | 100737 | 1 | Dust Plug (3/8) |
| 61 | 100245 | 1 | Male Disconnect - 3/8 (QD4) |
| 62 | 100257 | 1 | Dust Cap (3/8) |
| 63 | 400111 | 1 | Female Disconnect - 1-1/4 (QD2) |
| 64 | 400077 | 1 | Dust Plug (1-1/4) |
| 65 | 400093 | 1 | Male Disconnect - 1-1/4 (QD1) |
| 66 | 400079 | 1 | Dust Cap (1-1/4) |
| 67 | 100119 | 4 | SHCS (1/2 - 13 x 1-1/4) |
| 68 | 100121 | 4 | Lockwasher (1/2) |
| 70 | 100287 | 8 | Lockwasher (5/16) |
| 71 | 100293 | 24 | Flatwasher (5/16) |
| 72 | 100289 | 8 | Hex Nut (5/16) |
| 73 | 130221 | 1 | FITT2S-08P06P000-000H001 |
| 74 | 810119 | 2 | Filter Element |
| 75 | 100535 | 4 | Hex Nut (3/8 - 16) |



MODEL 1250
EARTH AUGER

PARTS LIST

POWER UNIT - INTERNAL (CONTINUED)

800017

| Item | Part Number | Qty. | Description |
|------|-------------|------|--------------------------|
| 76 | 100005 | 2 | SHCS (5/8 - 11 x 1-3/4) |
| 77 | 810115 | 1 | Fuel Tank Subbase |
| 79 | 400099 | 1 | Oil Cooler (OC) |
| 80 | 100871 | 1 | Cooler Bracket - Left |
| 81 | 100873 | 1 | Cooler Bracket - Right |
| 83 | 400357 | 1 | FITT2S-08P06Q000-000H001 |
| 84 | 400149 | 38 | Lockwasher (3/8) |
| 87 | 100529 | 1 | Battery |
| 88 | 810167 | 1 | Battery Hold Down |
| 89 | 400231 | 2 | Stud (5/16 - 18 x 12) |
| 90 | 100831 | 2 | Wing Nut (5/16 - 18) |
| 91 | 130095 | 1 | Start Relay |
| 92 | 110755 | 2 | Battery Cable |
| 96 | 100417 | 1 | Fuel Fill Cap |
| 97 | 100419 | 1 | Fuel Vent |
| 98 | 100423 | 4 | FITT2P-08P000000-000S007 |
| 99 | 130113 | 4 | Engine Mounts |
| 100 | 130135 | 4 | SHCS (5/8 - 11 x 3-1/2) |
| 102 | 100273 | 4 | Hex Nut (5/8 - 11) |
| 103 | 130107 | 1 | Coupler Panel |
| 104 | 130109 | 1 | Reservoir |
| 106 | 400225 | 1 | Reservoir Gasket |
| 107 | 400129 | 1 | Reservoir Cover |
| 110 | 400277 | 1 | Logo Plate |
| 113 | 130231 | 1 | Air Cleaner |
| 114 | 130233 | 1 | Air Cleaner Element |
| 115 | 100105 | 14 | SHCS (5/16 - 18 x 1) |
| 116 | 100143 | 12 | SHCS (3/8 - 16 x 1-1/4) |
| 117 | 100648 | 34 | SHCS (3/8 - 16 x 7/8) |
| 118 | 100651 | 1 | Test Lite |
| 119 | 810045 | 1 | Hex Key Group |
| 120 | 100600 | 1 | Hex Key Rack |
| 121 | 110511 | 4 | Seal Washer |
| 123 | 400445 | 2 | Flex-wrap Magnet |
| 124 | 130309 | 1 | Throttle Bracket |
| 125 | 130091 | 1 | Pump Mounting Bracket |



MODEL 1250
EARTH AUGER

PARTS LIST

POWER UNIT - INTERNAL (CONTINUED)

800017

| Item | Part Number | Qty. | Description |
|------|-------------|------|----------------------------|
| 126 | 130383 | 2 | Baffle |
| 127 | 130385 | 1 | Baffle |
| 128 | 100576 | 5 | SHCS (1/4 - 20 x 5/8) |
| 129 | 100598 | 5 | Hex Nut (1/4 - 20) |
| 130 | 130341 | 1 | FITT2T-24M24J24P-000H0F1 |
| 131 | 130339 | 1 | Check Valve |
| 132 | 130397 | 1 | HOSE125R02F420J020L04000 |
| 133 | 110819 | 1 | Suction Filter Tube |
| 137 | 130389 | 2 | HOSE038TF1J006P004L0500L |
| 139 | 100537 | 1 | Battery Cable - 23 |
| 140 | 130261 | 2 | Lockwasher H.C. (5/8) |
| 145 | 110081 | 4 | Flatwasher (5/8) |
| 146 | 400185 | 1 | FITT2S-20M20P000-000H001 |
| 147 | 400159 | 1 | FITT2S-24P20Q000-000H001 |
| 148 | 100601 | 1 | FITT2T-04M04P04M-0000001 |
| 149 | 130399 | 1 | FITT2S-06M04P000-000H001 |
| 150 | 130225 | 1 | Top Cooler Guard |
| 151 | 100037 | 3 | O-Ring (#222) |
| 152 | 100559 | 5 | Lockwasher (1/4) |
| 153 | 100597 | 10 | Flatwasher (1/4) |
| 155 | 810301 | 1 | Tachometer Sender Assembly |
| 156 | 110377 | 1 | FITT2L-16P16Q000-0000306 |
| 157 | 120423 | 1 | Water Separator |
| 158 | 120425 | 1 | FITT2S-16P16P000-1000301 |
| 159 | 100715 | 1 | FITT2S-16P06Q000-000H001 |
| 160 | 400227 | 1 | FITT2L-06M06P000-0000001 |

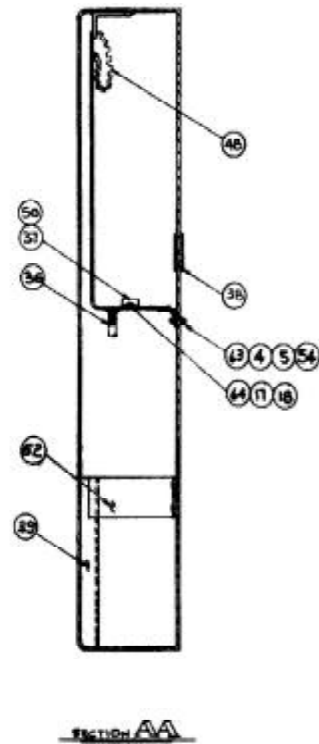
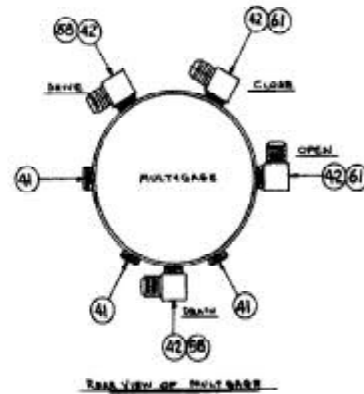
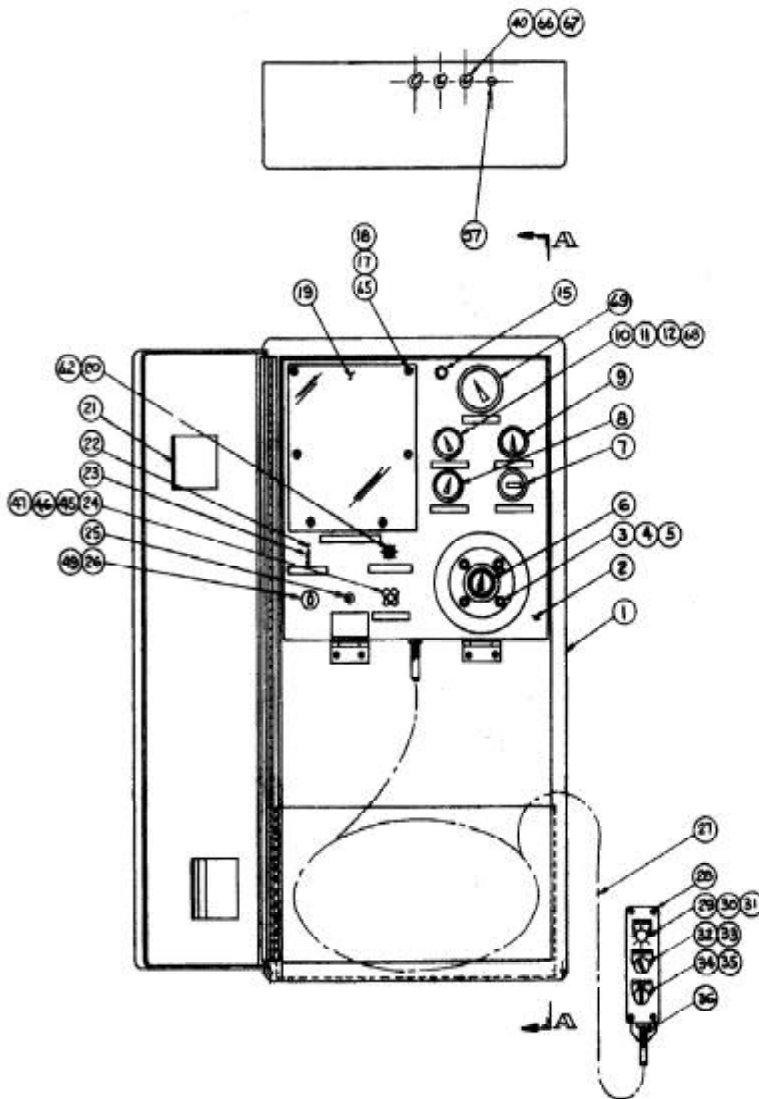


MODEL 1250
EARTH AUGER

PARTS LIST

CONTROL PANEL

810027





MODEL 1250
EARTH AUGER

PARTS LIST

CONTROL PANEL

810027

| Item | Part Number | Qty. | Description |
|------|-------------|------|--------------------------|
| 1 | 130151 | 1 | Enclosure |
| 2 | 130245 | 1 | Control Panel |
| 3 | 100557 | 4 | SHCS (1/4 - 20 x 3/4) |
| 4 | 100559 | 8 | Lockwasher (1/4) |
| 5 | 100598 | 8 | Hex Nut (1/4 - 20) |
| 6 | 130059 | 1 | Multi-Gage (MG) |
| 7 | 100343 | 1 | Hourmeter |
| 8 | 110371 | 1 | Ammeter |
| 9 | 130251 | 1 | Water Temperature Gage |
| 10 | 100329 | 1 | Oil Pressure Gage |
| 11 | 100333 | 1 | FITT2L-04E02Q000-000H002 |
| 12 | 110415 | 1 | Oil Pressure Hose (5') |
| 15 | 110321 | 1 | Panel Latch |
| 17 | 400161 | 8 | Lockwasher (#10) |
| 18 | 400163 | 6 | Hex Nut (#10 - 32) |
| 19 | 100311 | 1 | Instruction Frame |
| 20 | 100355 | 1 | Warning Light |
| 21 | 130247 | 1 | Label Group |
| 22 | 100331 | 2 | BHCS (#6 - 32 x 1/4) |
| 23 | 400141 | 1 | Circuit Breaker |
| 24 | 130255 | 1 | Engine Throttle |
| 25 | 130257 | 1 | Reset Button |
| 26 | 130259 | 1 | Start Switch |
| 27 | 130365 | 1 | Pendant Wire |
| 28 | 130153 | 1 | Pendant Enclosure |
| 29 | 130085 | 1 | Clamp Light |
| 30 | 100403 | 1 | CLAMP Name Plate |
| 31 | 100361 | 1 | Clear Lens |
| 32 | 130155 | 1 | OPEN/CLOSE Switch |
| 33 | 100401 | 1 | OPEN-CLOSE Name Plate |
| 34 | 130155 | 1 | FORW/REV Switch |
| 35 | 130157 | 1 | FOR-OFF-REV Name Plate |
| 36 | 100371 | 2 | Strain Relief |
| 37 | 110567 | 11 | Terminal Block |
| 38 | 130147 | 1 | Grommet |



MODEL 1250
EARTH AUGER

PARTS LIST

CONTROL PANEL (CONTINUED)

810027

| Item | Part Number | Qty. | Description |
|------|-------------|------|---------------------------|
| 39 | 130149 | 1 | Box Panel |
| 40 | 100853 | 3 | Cord Adapter (90°) |
| 41 | 100845 | 3 | FITT2P-04P000000-000S007 |
| 42 | 100145 | 4 | FITT2L-04M04P000-0000001 |
| 45 | 100429 | 1 | Throttle Cable Seal |
| 46 | 100431 | 1 | Throttle Cable Pivot |
| 47 | 100577 | 1 | Throttle Cable Clamp |
| 48 | 110481 | 1 | Chain |
| 49 | 130273 | 1 | Start Switch Name Plate |
| 50 | 110569 | 1 | Terminal Mounting Channel |
| 52 | 130387 | 1 | Hose Bracket |
| 54 | 100597 | 8 | Flatwasher (1/4) |
| 57 | 130413 | 1 | Hole Plug |
| 58 | 130207 | 2 | HOSE019R01J004J004L10000 |
| 61 | 130205 | 2 | HOSE019R01J004J004L09000 |
| 62 | 130377 | 1 | Light Bulb |
| 63 | 100576 | 4 | SHCS (1/4 - 20 x 5/8) |
| 64 | 110649 | 2 | PHCS (10 - 32 x 3/8) |
| 65 | 130061 | 6 | BHCS (10 - 32 x 1/2) |
| 66 | 110843 | 3 | Locknut (1/2) |
| 67 | 110841 | 3 | Bushing, Plastic (1/2) |
| 68 | 100338 | 1 | FITT2L-04P04E000-000H002 |
| 69 | 100993 | 1 | Tachometer |

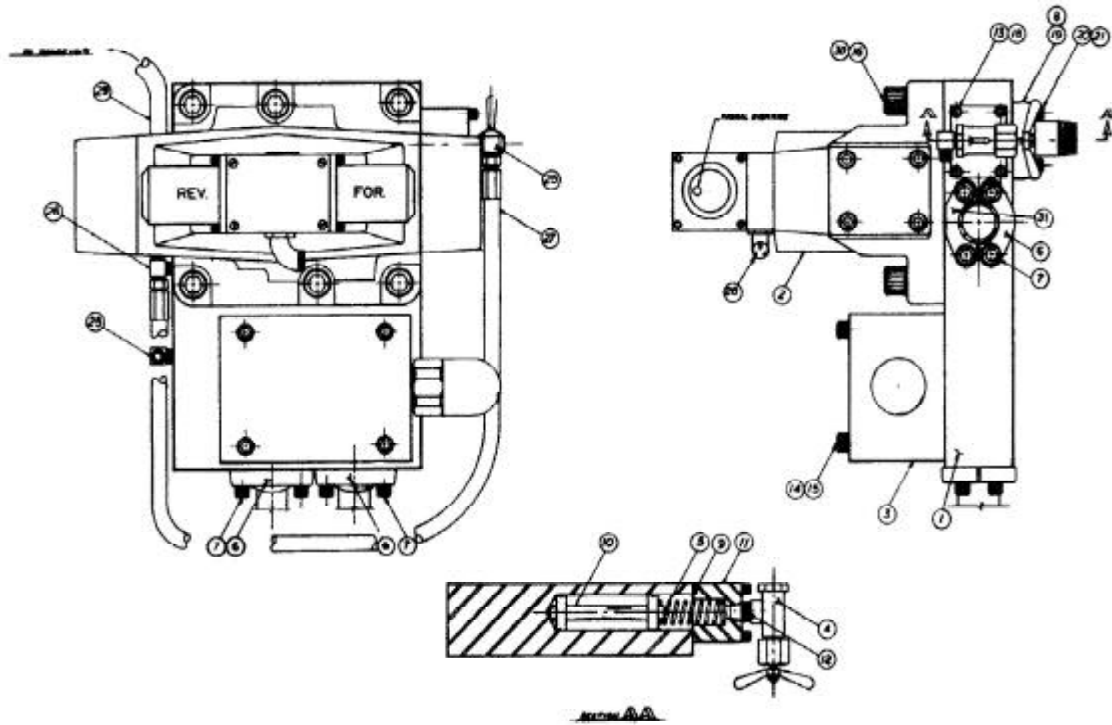


**MODEL 1250
EARTH AUGER**

PARTS LIST

DRIVE CONTROL MANIFOLD

810023





MODEL 1250
EARTH AUGER

PARTS LIST

DRIVE CONTROL MANIFOLD

810023

| Item | Part Number | Qty. | Description |
|------|-------------|------|---------------------------|
| 1 | 130099 | 1 | Manifold |
| 2 | 400089 | 1 | Motor Valve, 4-Way (V2) |
| 3 | 130133 | 1 | Relief Valve (RV1) |
| 4 | 130123 | 1 | Needle Valve (MV2) |
| 5 | 130103 | 1 | Spring |
| 6 | 100045 | 5 | Split Flange Half (1-1/4) |
| 7 | 100047 | 12 | SHCS (7/16 - 14 x 1) |
| 8 | 100037 | 2 | O-Ring (#222) |
| 9 | 100077 | 1 | O-Ring (#029) |
| 10 | 130101 | 1 | Warm-Up Spool (V3) |
| 11 | 130105 | 1 | Spool Capture Plate |
| 12 | 130129 | 1 | FITT2S-04P04P000-00C0306 |
| 13 | 110177 | 4 | SHCS (5/16 - 18 x 2-1/2) |
| 14 | 130131 | 4 | SHCS (3/8 - 16 x 4-1/2) |
| 15 | 400149 | 4 | Lockwasher (3/8) |
| 16 | 400039 | 6 | SHCS (3/4 - 10 x 2-3/4) |
| 18 | 100287 | 4 | Lockwasher (5/16) |
| 19 | 130125 | 2 | Coupler Adapter |
| 20 | 100439 | 8 | SHCS (7/16 - 14 x 1-3/4) |
| 21 | 100443 | 8 | Lockwasher (7/16) |
| 25 | 100145 | 2 | FITT2L-04M04P000-0000001 |
| 26 | 130229 | 1 | FITT2T-04M04M04R-0000001 |
| 27 | 100719 | 1 | HOSE025R02J004J004L03000 |
| 28 | 110235 | 1 | Cord Adapter - 90° |
| 29 | 100149 | 1 | HOSE025R02J004J004L01900 |
| 30 | 100069 | 6 | Lockwasher (3/4) |
| 31 | 810293 | 1 | Special Split Flange Half |

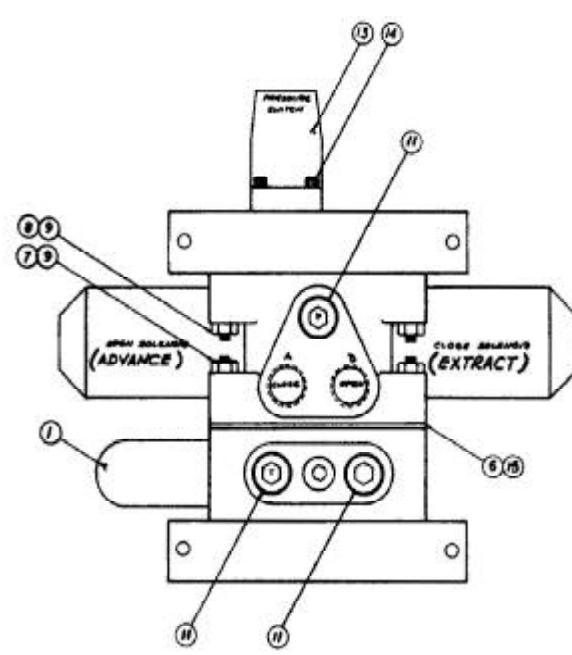
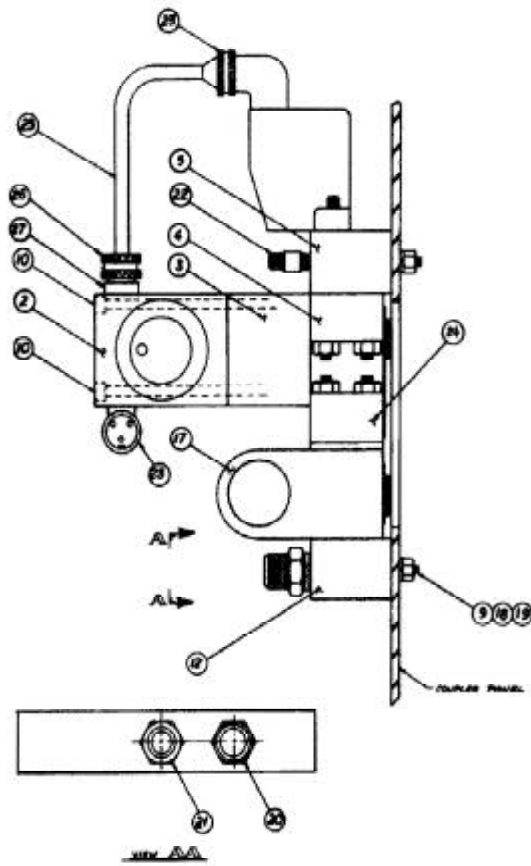


MODEL 1250
EARTH AUGER

PARTS LIST

CROWD MANIFOLD

810025





MODEL 1250
EARTH AUGER

PARTS LIST

CROWD MANIFOLD

810025

| Item | Part Number | Qty. | Description |
|------|-------------|------|------------------------------------|
| 24 | 810137 | 1 | Manifold (Includes Items Below) |
| 1 | 110145 | | (1) Relief Valve (RV2) |
| 2 | 130033 | | (1) Control Valve (V1) |
| 3 | 110149 | | (1) Check Valve (CV1) |
| 4 | 110151 | | (1) Subplate |
| 6 | 110157 | | (1) Dividing Plate |
| 7 | 110159 | | (4) SHCS (5/16 - 18 x 4-3/4) |
| 8 | 110161 | | (4) SHCS (5/16 - 18 x 2-3/4) |
| 9 | 100289 | | (8) Hex Nut (5/16 - 18) |
| 10 | 130241 | | (4) SHCS (1/4 - 20 x 4) |
| 11 | 100423 | | (3) FITT2P-08P000000-0005007 |
| 15 | 110179 | | (20) O-Ring (12.3 x 24mm) |
| 17 | 110153 | | (1) Subplate |
| 23 | 110235 | | (2) Cord Adapter S/O |
| 27 | 110885 | | (2) Conduit Adapter |
| 5 | 130187 | 1 | End Plate |
| 9 | 100289 | 4 | Hex Nut (5/16 - 18) |
| 12 | 130189 | 1 | End Plate |
| 13 | 810033 | 1 | Pressure Switch Assembly (PS) |
| 14 | 110167 | 2 | SHCS (#10 - 32 x 1) |
| 18 | 110177 | 4 | SHCS (5/16 - 18 x 2-1/2) |
| 19 | 100287 | 4 | Lockwasher (5/16) |
| 20 | 110175 | 1 | FITT2S-12M08P000-000H001 |
| 21 | 110173 | 1 | FITT2S-08M08P000-000H001 |
| 22 | 110203 | 2 | FITT2S-04M04P000-000H001 |
| 23 | 110235 | 1 | Cord Adapter S/O |
| 25 | 110227 | 1 | Cord S/O |
| 26 | 100855 | 1 | Compression Fitting S/O |
| 27 | 110885 | 1 | Conduit Adapter |

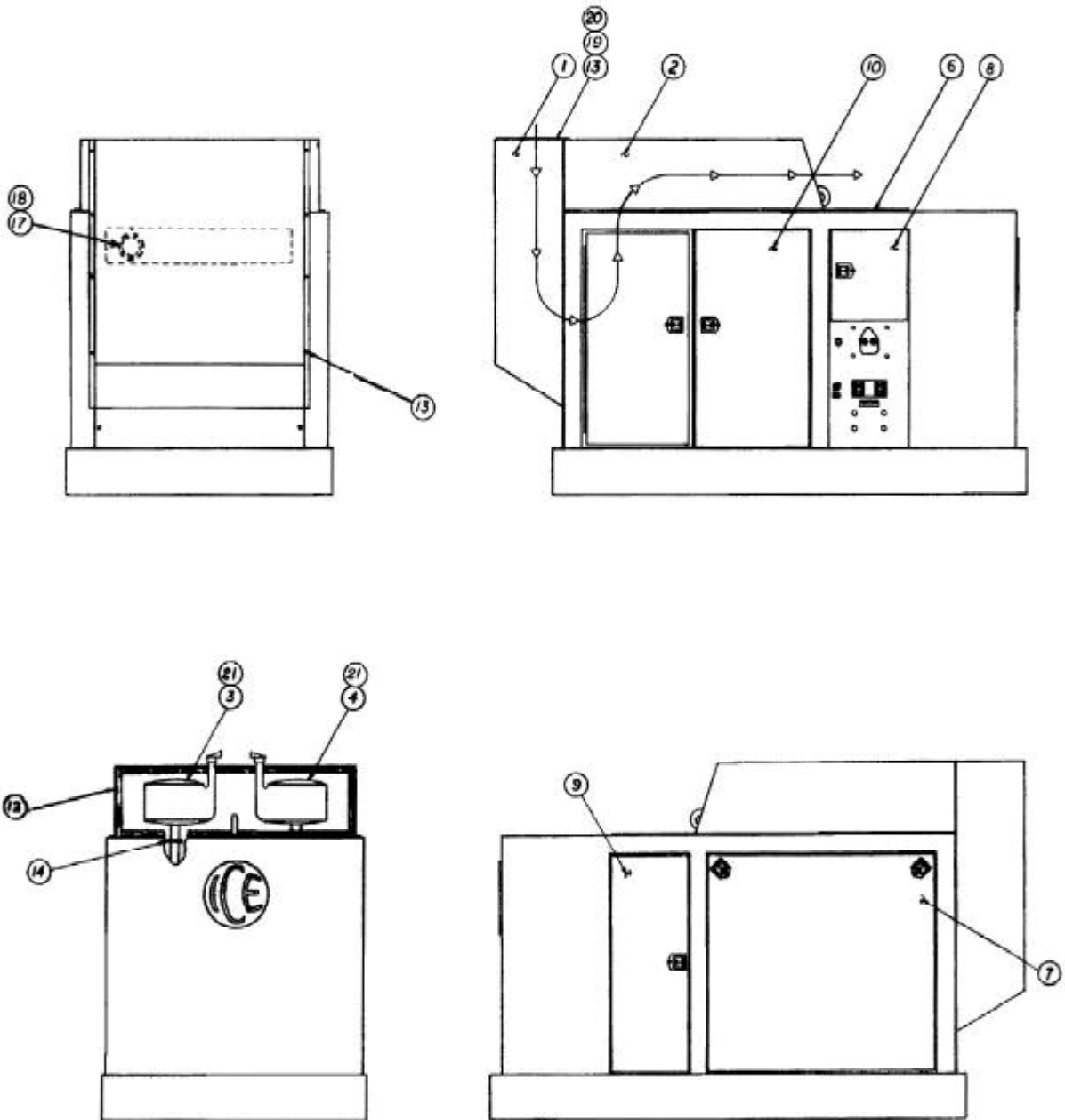


MODEL 1250
EARTH AUGER

PARTS LIST

POWER UNIT-SILENCER GROUP - OPTIONAL

800021





MODEL 1250
EARTH AUGER

PARTS LIST

POWER UNIT - SILENCER GROUP (OPTIONAL)

800021

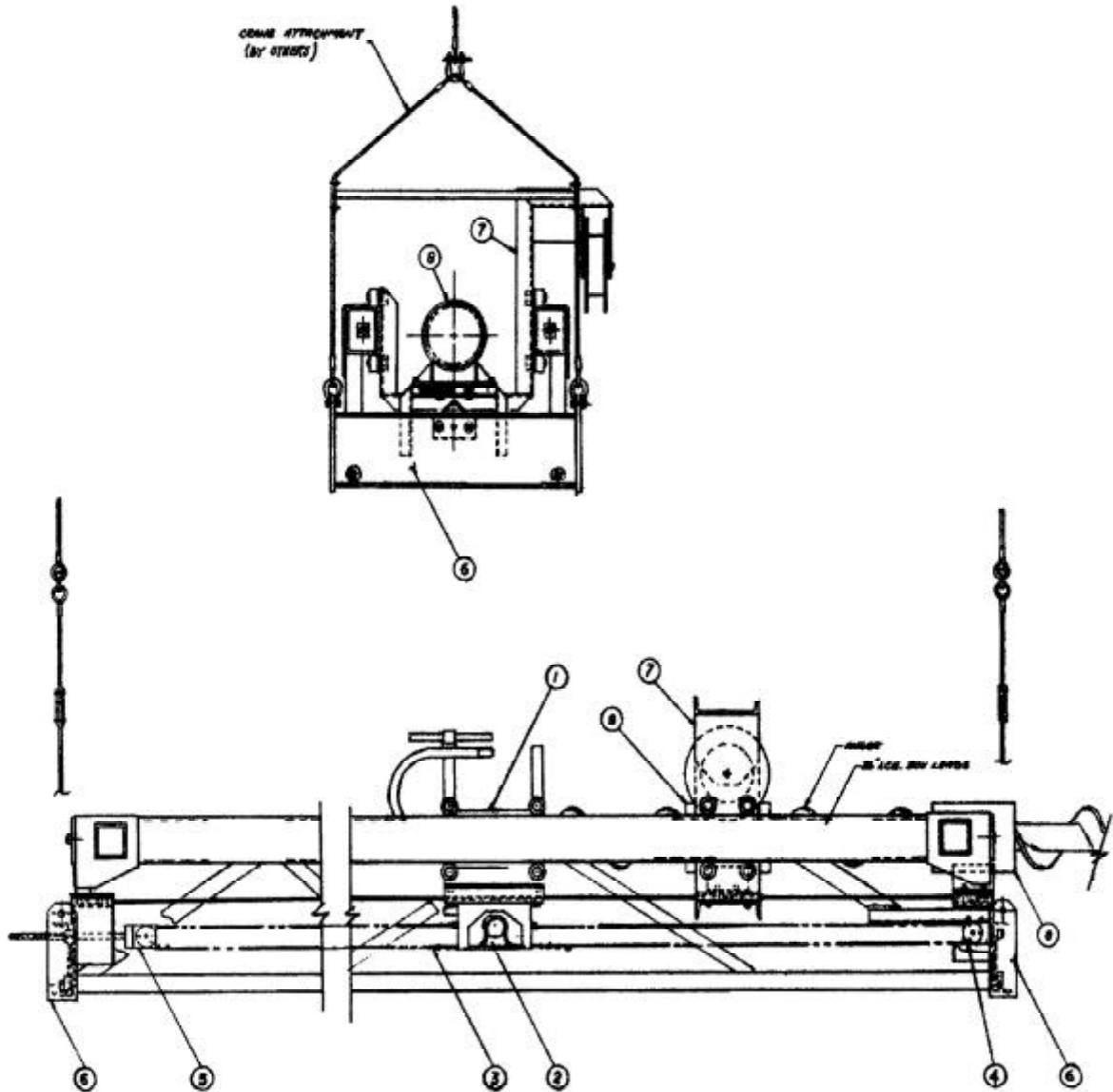
| Item | Part Number | Qty. | Description |
|------|-------------|------|---------------------------|
| 1 | 130159 | 1 | Intake Silencer |
| 2 | 130161 | 1 | Exhaust Silencer |
| 3 | 130267 | 1 | Left Silencer |
| 4 | 130269 | 1 | Right Silencer |
| 6 | 100889 | 1 | Unit Cover |
| 7 | 100901 | 1 | Cover |
| 8 | 100865 | 1 | Door |
| 9 | 100867 | 1 | Door |
| 10 | 100869 | 1 | Door |
| 12 | 130215 | 1 | Acoustical Padding |
| 13 | 130209 | 49 | Hex Teks (1/4 - 14 x 5/8) |
| 14 | 130213 | 2 | Exhaust Clamp |
| 17 | 100951 | 1 | Flexible Pipe |
| 18 | 130237 | 2 | Hose Clamp |
| 19 | 810335 | 1 | Intake Silencer Grill |
| 20 | 130227 | 14 | Fender Washer (1/4) |
| 21 | 400265 | 2 | Rain Cap |



**MODEL 1250
EARTH AUGER**

PARTS LIST

CROWD ASSEMBLY (OPTIONAL)





MODEL 1250
EARTH AUGER

PARTS LIST

CROWD ASSEMBLY (OPTIONAL)

| <u>Item</u> | <u>Part Number</u> | <u>Qty.</u> | <u>Description</u> |
|-------------|------------------------|-------------|---------------------------|
| 1 | 800067 | 1 | 1250 Auger Drive Unit |
| 2 | 800089 | 1 | Crowd Drive Unit |
| 3 | 800091 | As Req'd. | Chain |
| 4 | 800097 | 1 | Fixed Two-Part Block |
| 5 | 800099 | 1 | Adjustable Two-Part Block |
| 6 | 800095 | 2 | Chain Anchor |
| 7 | 800141 | 1 | Moveable Auger Guide |
| 8 | 800157 | 2 | Fixed Auger Guide (12") |
| | 800161 | 2 | Fixed Auger Guide (14") |

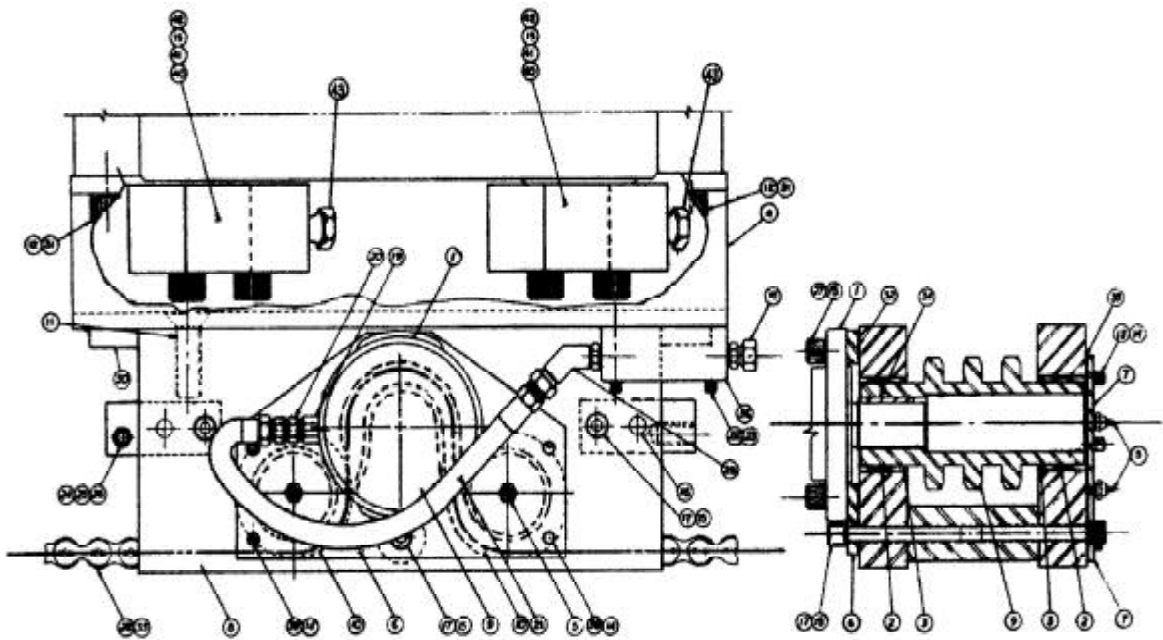


**MODEL 1250
EARTH AUGER**

PARTS LIST

CROWD DRIVE UNIT (OPTIONAL)

800089





MODEL 1250
EARTH AUGER

PARTS LIST

CROWD DRIVE UNIT (OPTIONAL)

800089

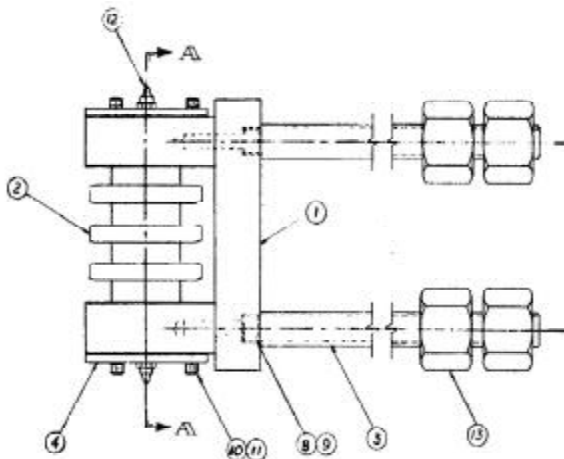
| Item | Part Number | Qty. | Description |
|------|-------------|------|--------------------------|
| 1 | 400349 | 1 | Drive Motor (MC) |
| 2 | 400365 | 6 | Bearing |
| 3 | 400363 | 6 | Seal |
| 4 | 400337 | 1 | Coupling Guard |
| 5 | 100229 | 5 | Grease Fitting |
| 6 | 400331 | 1 | Motor Side Cover |
| 7 | 400341 | 3 | Bearing Cap |
| 8 | 400329 | 1 | Drive Frame |
| 9 | 400323 | 1 | Drive Sprocket |
| 10 | 400325 | 2 | Idler Sprocket |
| 11 | 100075 | 4 | FHCS (3/4 - 10 x 2-1/4) |
| 12 | 400069 | 4 | SHCS (3/4 - 10 x 2) |
| 13 | 100557 | 9 | SHCS (1/4 - 20 x 3/4) |
| 14 | 100559 | 13 | Lockwasher (1/4) |
| 15 | 100121 | 18 | Lockwasher (1/2) |
| 16 | 400351 | 2 | Dowel Pin (1/2 x 7) |
| 17 | 100829 | 6 | SHCS (1/2 - 13 x 3-1/2) |
| 18 | 400395 | 2 | FITT2S-12N08P000-000H001 |
| 19 | 400355 | 2 | FITT2S-10R08Q000-000H001 |
| 20 | 400393 | 2 | FITT2S-08P08N000-000H001 |
| 21 | 400397 | 2 | HOSE050R01P008P008L03000 |
| 22 | 400361 | 2 | SHCS (5/16 - 18 x 2) |
| 23 | 100287 | 2 | Lockwasher (5/16) |
| 24 | 110159 | 1 | SHCS (5/16 - 18 x 4-3/4) |
| 25 | 100293 | 1 | Flatwasher (5/16) |
| 26 | 100289 | 1 | Hex Nut (5/16 - 18) |
| 27 | 100011 | 4 | SHCS (1/2 - 13 x 2) |
| 28 | 400367 | 1 | Chain (10') |
| 29 | 400399 | 1 | FITT2V-08P08N000-000H001 |
| 30 | 400375 | 2 | Mounting Key |
| 31 | 100069 | 4 | Lockwasher (3/4) |
| 32 | 400369 | 1 | Side Cover Gasket |
| 33 | 400377 | 2 | Master Link |
| 34 | 400405 | 1 | Drive Motor Key |
| 35 | 400387 | 3 | Sprocket Frame Gasket |
| 36 | 400417 | 1 | Cross-over Relief (RV4) |
| 39 | 100595 | 4 | SHCS (1/4 - 20 x 1-1/4) |
| 40 | 400327 | 2 | Flange |
| 41 | 130235 | 8 | SHCS (1/2 - 13 x 3) |
| 42 | 400379 | 2 | O-Ring (#232) |
| 43 | 100235 | 2 | FITT2S-20020N000-000H001 |



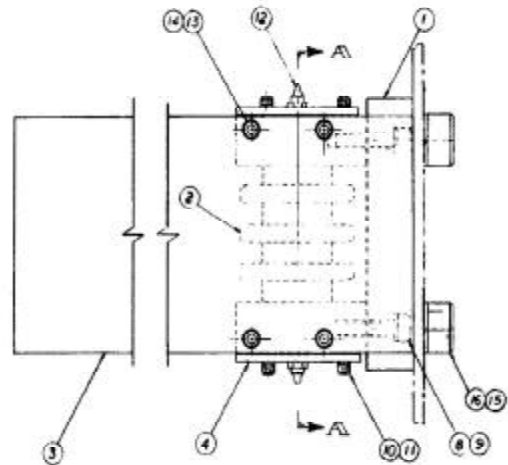
MODEL 1250
EARTH AUGER

PARTS LIST

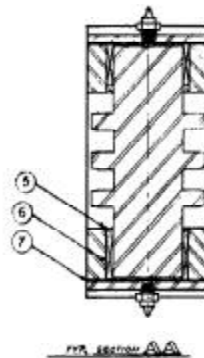
CROWD BLOCKS (OPTIONAL)



ADJUSTABLE TWO-PART BLOCK
800099



FIXED TWO-PART BLOCK
800097





MODEL 1250
EARTH AUGER

PARTS LIST

FIXED TWO-PART BLOCK (OPTIONAL)

800097

| Item | Part Number | Qty. | Description |
|------|-------------|------|-----------------------|
| 1 | 400407 | 1 | Sprocket Frame |
| 2 | 400325 | 1 | Idler Sprocket |
| 3 | 400403 | 1 | Sprocket Frame Guard |
| 4 | 400341 | 2 | Bearing Cap |
| 5 | 400363 | 2 | Seal |
| 6 | 400365 | 2 | Bearing |
| 7 | 400387 | 2 | Sprocket Frame Gasket |
| 8 | 100011 | 4 | SHCS (1/2 - 13 x 2) |
| 9 | 100121 | 4 | Lockwasher (1/2) |
| 10 | 100557 | 6 | SHCS (1/4 - 20 x 3/4) |
| 11 | 100559 | 6 | Lockwasher (1/4) |
| 12 | 100229 | 2 | Grease Fitting |
| 13 | 100648 | 4 | SHCS (3/8 - 16 x 7/8) |
| 14 | 400149 | 4 | Lockwasher (3/8) |
| 15 | 400401 | 2 | SHCS (1 - 8 x 2) |
| 16 | 100209 | 2 | Lockwasher (1) |

ADJUSTABLE TWO-PART BLOCK (OPTIONAL)

800099

| Item | Part Number | Qty. | Description |
|------|-------------|------|-----------------------|
| 1 | 400339 | 1 | Sprocket Frame |
| 2 | 400325 | 1 | Idle Sprocket |
| 3 | 400373 | 2 | Adjustment Rod |
| 4 | 400341 | 2 | Bearing Cap |
| 5 | 400363 | 2 | Oil Seal |
| 6 | 400365 | 2 | Bearing |
| 7 | 400387 | 2 | Sprocket Frame Gasket |
| 8 | 100011 | 4 | SHCS (1/2 - 13 x 2) |
| 9 | 100121 | 4 | Lockwasher (1/2) |
| 10 | 100557 | 6 | SHCS (1/4 - 20 x 3/4) |
| 11 | 100559 | 6 | Lockwasher (1/4) |
| 12 | 100229 | 2 | Grease Fitting |
| 13 | 400051 | 4 | Hex Nut (1 - 8) |

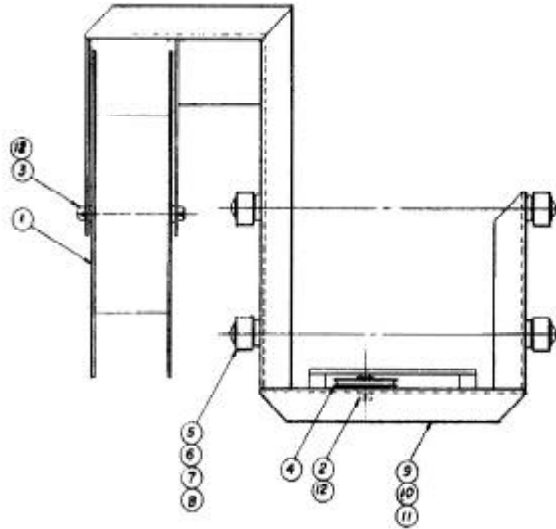


**MODEL 1250
EARTH AUGER**

PARTS LIST

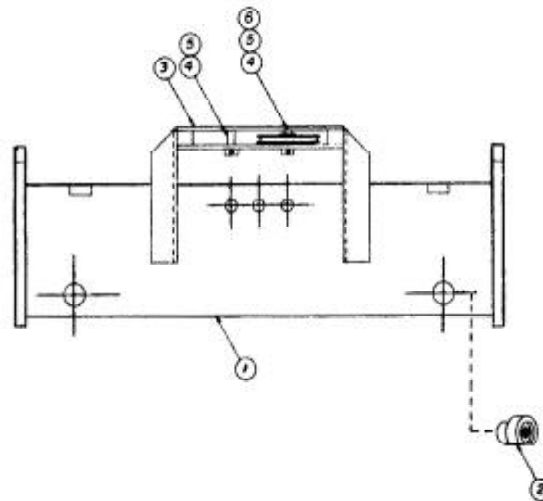
MOVEABLE AUGER GUIDE (OPTIONAL)

800141



CHAIN ANCHOR (OPTIONAL)

800095





MODEL 1250
EARTH AUGER

PARTS LIST

MOVEABLE AUGER GUIDE (OPTIONAL)

800141

| <u>Item</u> | <u>Part Number</u> | <u>Qty.</u> | <u>Description</u> |
|-------------|--------------------|-------------|---------------------|
| 1 | 400455 | 1 | Tie-Back Hose Guide |
| 2 | 400457 | 2 | Sheave Shaft |
| 3 | 400459 | 1 | Hose Guide Shaft |
| 4 | 300023 | 2 | Sheave |
| 5 | 400013 | 8 | Cam Roller |
| 6 | 400483 | 8 | BHCS (1 - 8 x 4) |
| 7 | 400051 | 8 | Hex Nut (1 - 8) |
| 8 | 100209 | 8 | Lockwasher (1) |
| 9 | 400461 | 1 | Tie-Back Slide |
| 12 | 300025 | 4 | Set Collar (3/4) |

CHAIN ANCHOR (OPTIONAL)

800095

| <u>Item</u> | <u>Part Number</u> | <u>Qty.</u> | <u>Description</u> |
|-------------|--------------------|-------------|---------------------------|
| 1 | 400389 | 1 | Chain Anchor |
| 2 | 400391 | 2 | Chain Anchor Mounting Lug |
| 3 | 400453 | 1 | Tie-Back Sheave Block |
| 4 | 400457 | 2 | Sheave Shaft |
| 5 | 300025 | 2 | Set Collar (3/4) |
| 6 | 300023 | 2 | Sheave |

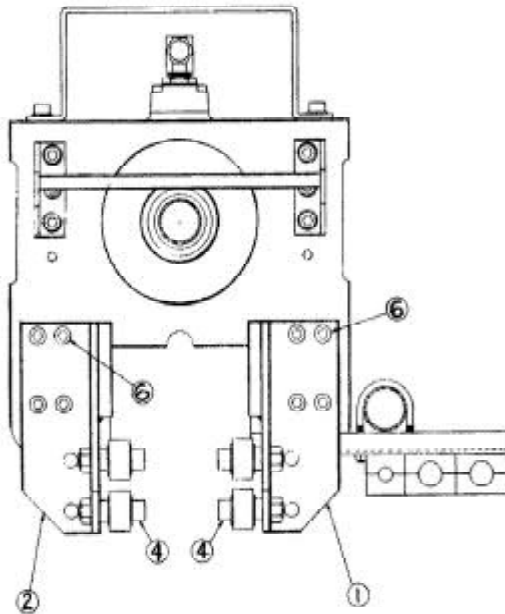


**MODEL 1250
EARTH AUGER**

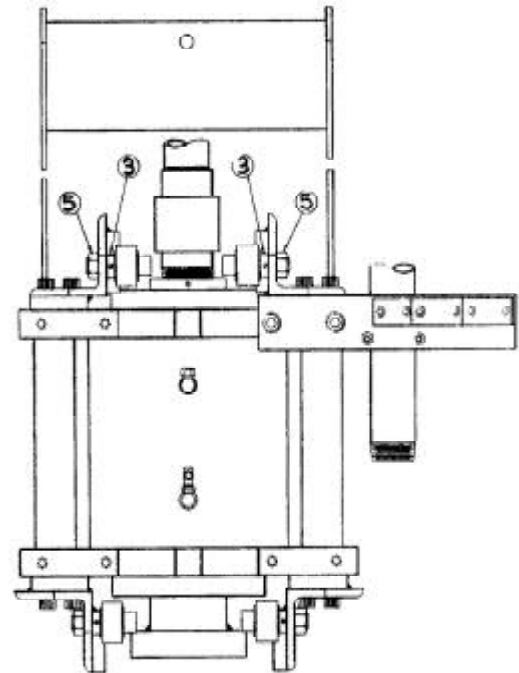
PARTS LIST

36" SPUD ADAPTER

800083



Top View



Front View

| <u>Item</u> | <u>P/N</u> | <u>Qty.</u> | <u>Description</u> |
|-------------|------------|-------------|-------------------------|
| 1 | 120085 | 2 | Adapter - Right |
| 2 | 120086 | 2 | Adapter - Left |
| 3 | 300059 | 8 | Set Collar |
| 4 | 400483 | 8 | BHCS (1 - 8 x 4) |
| 5 | 400051 | 8 | Nut (1 - 8) |
| 6 | 400045 | 16 | SHCS (3/4 - 10 x 3-1/2) |

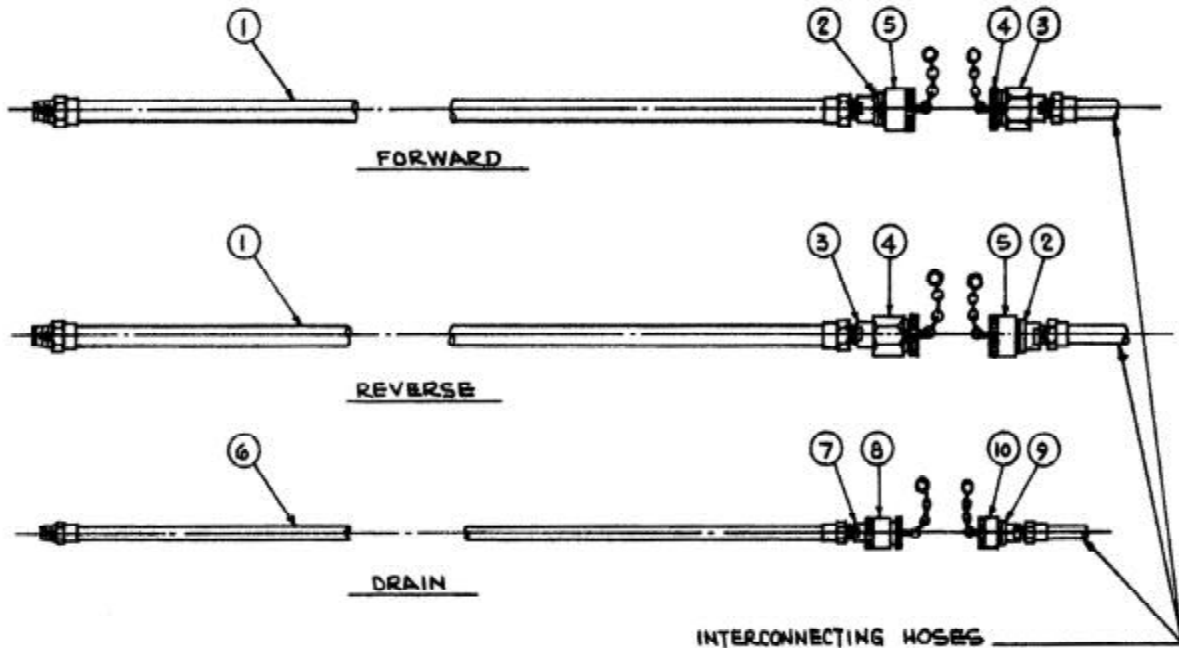


**MODEL 1250
EARTH AUGER**

PARTS LIST

PIGTAIL KIT - 1250/2425 (OPTIONAL)

850027



| Item | P/N | Qty. | Description |
|------|--------|------|----------------------------|
| 1 | 400491 | 2 | HOSE125R02P020P020L10200 |
| 2 | 400093 | 2 | Male Disconnect (1-1/4") |
| 3 | 400111 | 2 | Female Disconnect (1-1/4") |
| 4 | 400077 | 2 | Dust Plug (1-1/4") |
| 5 | 400079 | 2 | Dust Cap (1-1/4") |
| 6 | 400493 | 1 | HOSE075R02P012P012L08400 |
| 7 | 400095 | 1 | Female Disconnect (3/4") |
| 8 | 400121 | 1 | Dust Plug (3/4") |
| 9 | 400251 | 1 | Male Disconnect (3/4") |
| 10 | 400253 | 1 | Dust Cap (3/4") |



**MODEL 1250
EARTH AUGER**

PARTS LIST

VIII. ORDERING PARTS

E. MISCELLANEOUS ACCESSORIES

1. BULK

| <u>P/N</u> | <u>Qty.</u> | <u>Description</u> |
|------------|-------------|---------------------|
| 810013 | 5 GAL | Hydraulic Fluid |
| 810011 | 5 GAL | Transmission Oil |
| 100726 | 1 GAL | Coolant/Anti-Freeze |
| 100298 | 1 GAL | I.C.E. Green Paint |
| 100299 | 1 GAL | Primer |

2. TOOLS

| <u>P/N</u> | <u>Qty.</u> | <u>Description</u> |
|------------|-------------|---|
| 100651 | 1 | 24-Volt Test Light |
| 100653 | 1 | Set of Allen Wrenches - (Includes All Wrenches Shown Below:) |
| 100655 | | (1) 1/16" Allen Wrench - Long Arm |
| 100691 | | (1) 5/64" Allen Wrench - Long Arm |
| 100659 | | (1) 3/32" Allen Wrench - Long Arm |
| 100661 | | (1) 7/64" Allen Wrench - Long Arm |
| 100663 | | (1) 1/8" Allen Wrench - Long Arm |
| 100665 | | (1) 9/64" Allen Wrench - Long Arm |
| 100667 | | (1) 5/32" Allen Wrench - Long Arm |
| 100669 | | (1) 3/16" Allen Wrench - Long Arm |
| 100671 | | (1) 7/32" Allen Wrench - Long Arm |
| 100673 | | (1) 1/4" Allen Wrench - Long Arm |
| 100657 | | (1) 5/16" Allen Wrench - Long Arm |
| 100675 | | (1) 3/8" Allen Wrench - Long Arm |
| 100677 | | (1) 7/16" Allen Wrench - Long Arm |
| 100679 | | (1) 1/2" Allen Wrench - Long Arm |
| 100681 | | (1) 9/16" Allen Wrench - Long Arm |
| 100683 | | (1) 5/8" Allen Wrench - Long Arm |
| 100685 | | (1) 3/4" Allen Wrench - Long Arm |
| 100687 | | (1) 7/8" Allen Wrench - Short Arm |
| 100689 | | (1) 1" Allen Wrench - Short Arm |



MODEL 1250
EARTH AUGER

PARTS LIST

VIII. ORDERING PARTS

E. MISCELLANEOUS ACCESSORIES (CONTINUED)

175 POWER PACK HOSE GROUP

850039

| <u>Item</u> | <u>P/N</u> | <u>Qty.</u> | <u>Description</u> | <u>Page Reference</u> |
|-------------|------------|-------------|--------------------------|-----------------------|
| 14 | 130223 | 1 | HOSE075R01J012P012L01100 | VIII-19 |
| 16 | 400215 | 1 | HOSE100R01P016P016L08400 | VIII-19 |
| 37 | 130195 | 1 | HOSE050R09J008J012L02000 | VIII-21 |
| 42 | 130193 | 1 | HOSE125R09F920F924L04000 | VIII-21 |
| 45 | 130201 | 1 | HOSE075R01J012J012L04000 | VIII-21 |
| 49 | 130395 | 1 | HOSE150R02P024J024L07100 | VIII-21 |
| 51 | 130199 | 1 | HOSE125R01P020F020L08000 | VIII-21 |
| 52 | 400175 | 1 | HOSE075R01P012J012L02500 | VIII-21 |
| 132 | 130397 | 1 | HOSE125R02F420J020L04000 | VIII-23 |
| 27 | 100719 | 1 | HOSE025R02J004J004L03000 | VIII-29 |
| 29 | 100149 | 1 | HOSE025R02J004J004L01900 | VIII-29 |
| 58 | 130207 | 2 | HOSE019R01J004J004L10000 | VIII-27 |
| 61 | 130205 | 2 | HOSE019R01J004J004L09000 | VIII-27 |

AUGER/175 O-RING KIT

850057

| <u>P/N</u> | <u>Qty.</u> | <u>Description</u> |
|------------|-------------|--------------------|
| 110215 | 5 | O-Ring (#239) |
| 100037 | 15 | O-Ring (#222) |
| 100097 | 5 | O-Ring (#214) |
| 110119 | 10 | O-Ring (#225) |
| 100077 | 5 | O-Ring (#029) |
| 400379 | 10 | O-Ring (#232) |
| 400053 | 10 | O-Ring (#273) |

MODEL 2425 HOSE GROUP KIT

850059

| <u>Item</u> | <u>P/N</u> | <u>Qty.</u> | <u>Description</u> |
|-------------|------------|-------------|--------------------------|
| 68 | 400487 | 2 | HOSE125R02P020P020L01770 |
| 69 | 400489 | 1 | HOSE075R01P012P012L00950 |



**MODEL 1250
EARTH AUGER**

PARTS LIST

VIII. ORDERING PARTS

F. RECOMMENDED SPARE PARTS

1250 AUGER 800067 Refer to page VIII- 6

| Item | P/N | Qty. | Description |
|------|--------|------|---------------|
| 5 | 400009 | 2 | Seal |
| 29 | 400053 | 2 | O-Ring (#273) |
| 53 | 400273 | 1 | Gasket |

2425 AUGER 800069 Refer to page VIII-10

| Item | P/N | Qty. | Description |
|------|--------|------|--------------------------|
| 5 | 400009 | 2 | Seal |
| 42 | 400053 | 2 | O-Ring (#273) |
| 56 | 400273 | 1 | Gasket |
| 68 | 400487 | 2 | HOSE125R02P020P020L01770 |
| 69 | 400489 | 1 | HOSE075R01P012P012L00950 |

HOSE ASSEMBLIES-INTERCONNECTING 800071 Refer to page VIII-14

| Item | P/N | Qty. | Description |
|------|--------|------|--------------------------|
| 3 | 400249 | 4 | HOSE125R02P020P020L60000 |
| 9 | 100241 | 2 | HOSE075R02P012P012L62000 |

POWER UNIT - INTERNAL 800017 Refer to page VIII-18

| Item | P/N | Qty. | Description |
|------|--------|------|--------------------------|
| 31 | 110215 | 1 | O-Ring (#239) |
| 36 | 100097 | 1 | O-Ring (#214) |
| 37 | 130195 | 1 | HOSE050R09J008F012L02000 |
| 41 | 110119 | 1 | O-Ring (#225) |
| 42 | 130193 | 1 | HOSE125R09F920F924L04000 |
| 74 | 810119 | 1 | Filter Element |
| 114 | 130233 | 1 | Air Cleaner Element |
| 151 | 100037 | 2 | O-Ring (#222) |

NOTE: All units S/N 472015 up to and including S/N 482041 that do not already have the check valve conversion kit installed in the Cooler/Return Filter line should order the kit shown below:

P/N 850003

175 BY-PASS CHECK VALVE KIT



**MODEL 1250
EARTH AUGER**

PARTS LIST

VIII. ORDERING PARTS

F. RECOMMENDED SPARE PARTS (CONTINUED)

DRIVE CONTROL MANIFOLD 810023 Refer to page VIII-28

| <u>Item</u> | <u>P/N</u> | <u>Qty.</u> | <u>Description</u> |
|-------------|------------|-------------|--------------------|
| 8 | 100037 | 2 | O-Ring (#222) |
| 9 | 100077 | 1 | O-Ring (#029) |

CROWD DRIVE UNIT 800089 Refer to page VIII-36

| <u>Item</u> | <u>P/N</u> | <u>Qty.</u> | <u>Description</u> |
|-------------|------------|-------------|--------------------------|
| 3 | 400363 | 6 | Seal |
| 21 | 400397 | 2 | HOSE050R01P008P008L03000 |
| 32 | 400369 | 1 | Gasket |
| 33 | 400377 | 1 | Master Link |
| 34 | 400405 | 1 | Drive Motor Key |
| 35 | 400387 | 3 | Gasket |
| 42 | 400379 | 2 | O-Ring (#232) |

TWO-PART BLOCK (ADJUSTABLE) 800099 Refer to page VIII-38

| <u>Item</u> | <u>P/N</u> | <u>Qty.</u> | <u>Description</u> |
|-------------|------------|-------------|--------------------|
| 5 | 400363 | 2 | Seal |
| 7 | 400387 | 2 | Gasket |

TWO-PART BLOCK (FIXED) 800097 Refer to page VIII-38

| <u>Item</u> | <u>P/N</u> | <u>Qty.</u> | <u>Description</u> |
|-------------|------------|-------------|--------------------|
| 5 | 400363 | 2 | Seal |
| 7 | 400387 | 2 | Gasket |