

D62 - 22 DIESEL PILE HAMMER
筒式柴油打桩锤

SPARE PARTS LIST
零件目录

Shanghai Engineering Machinery Works

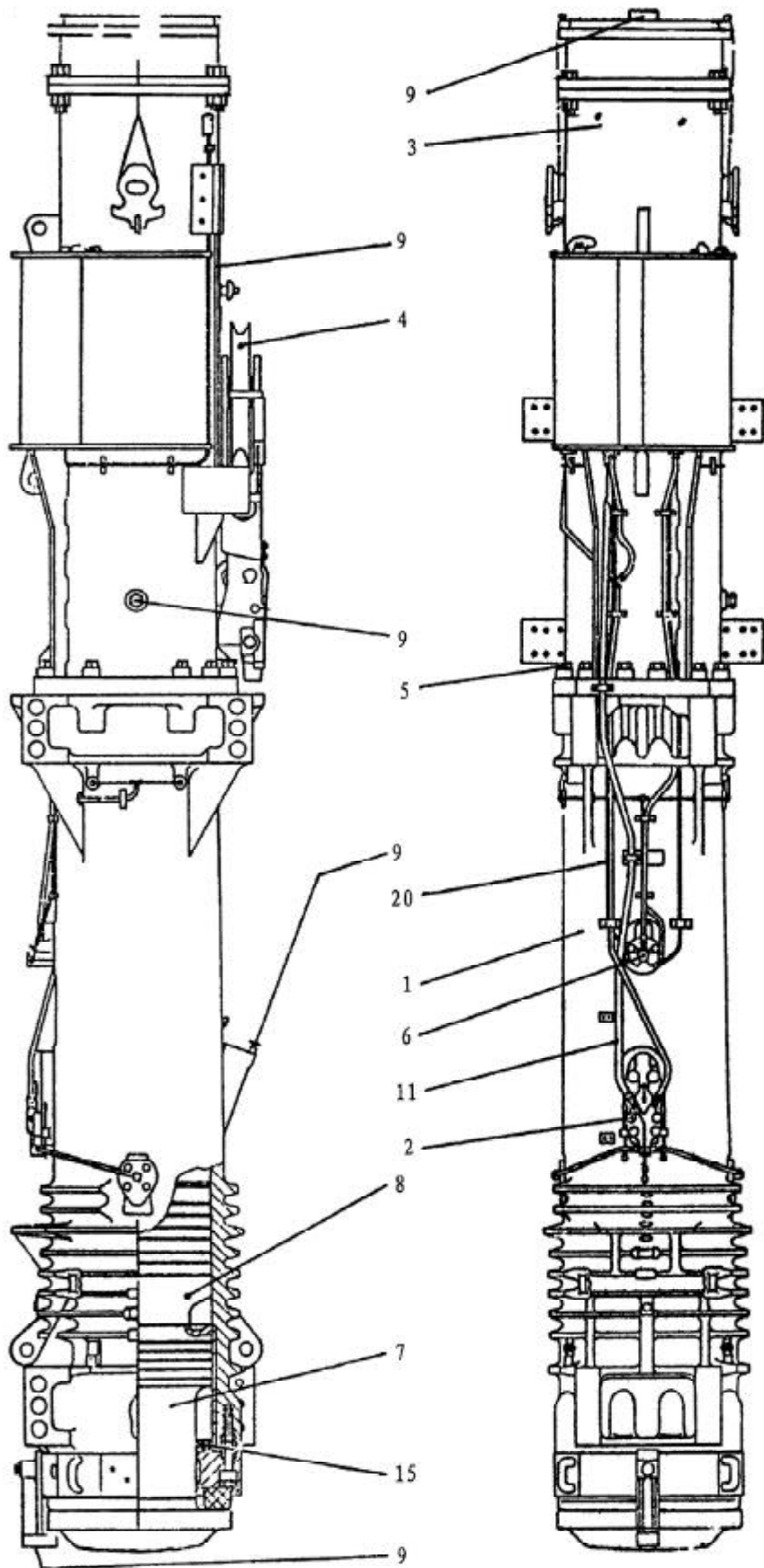
上海工程机械厂

Shanghai Jintai Company Limited

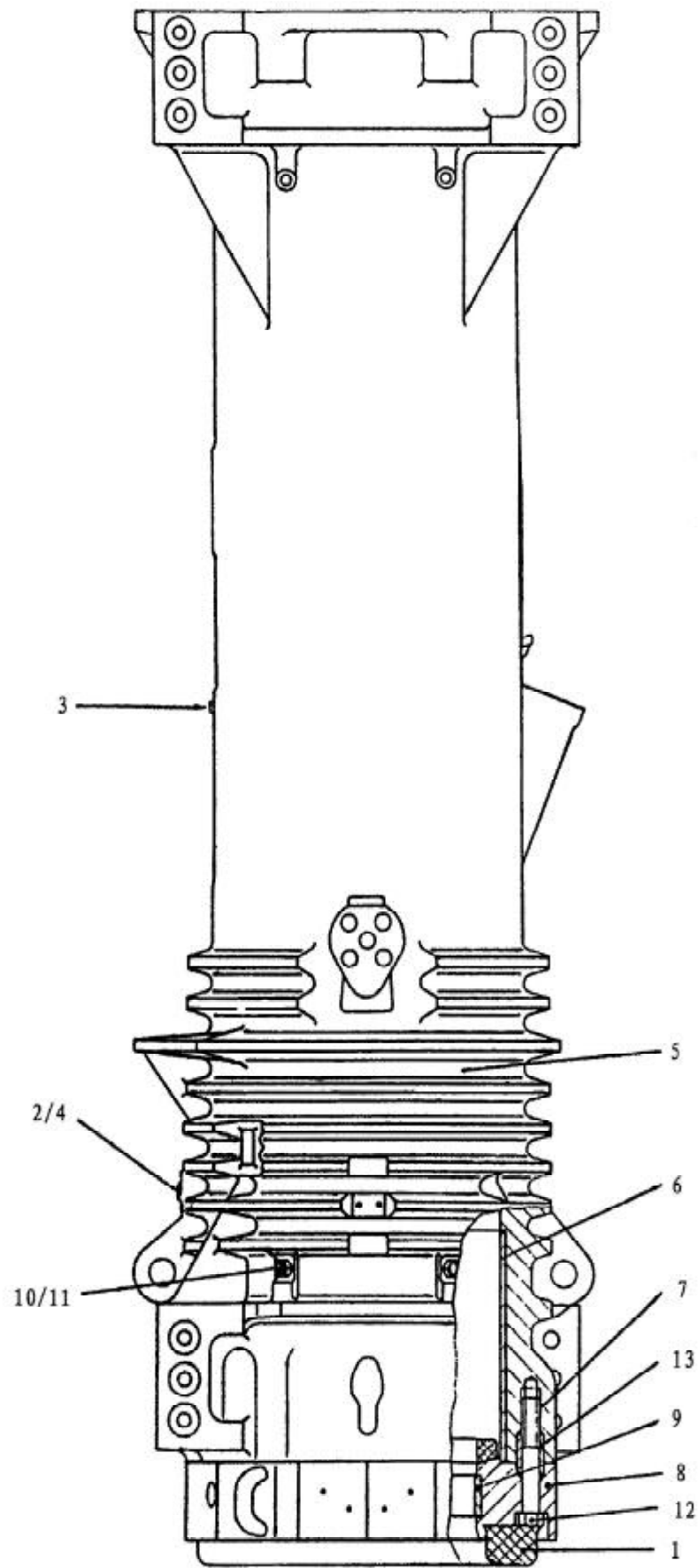
上海金泰股份有限公司

The People's Republic of China

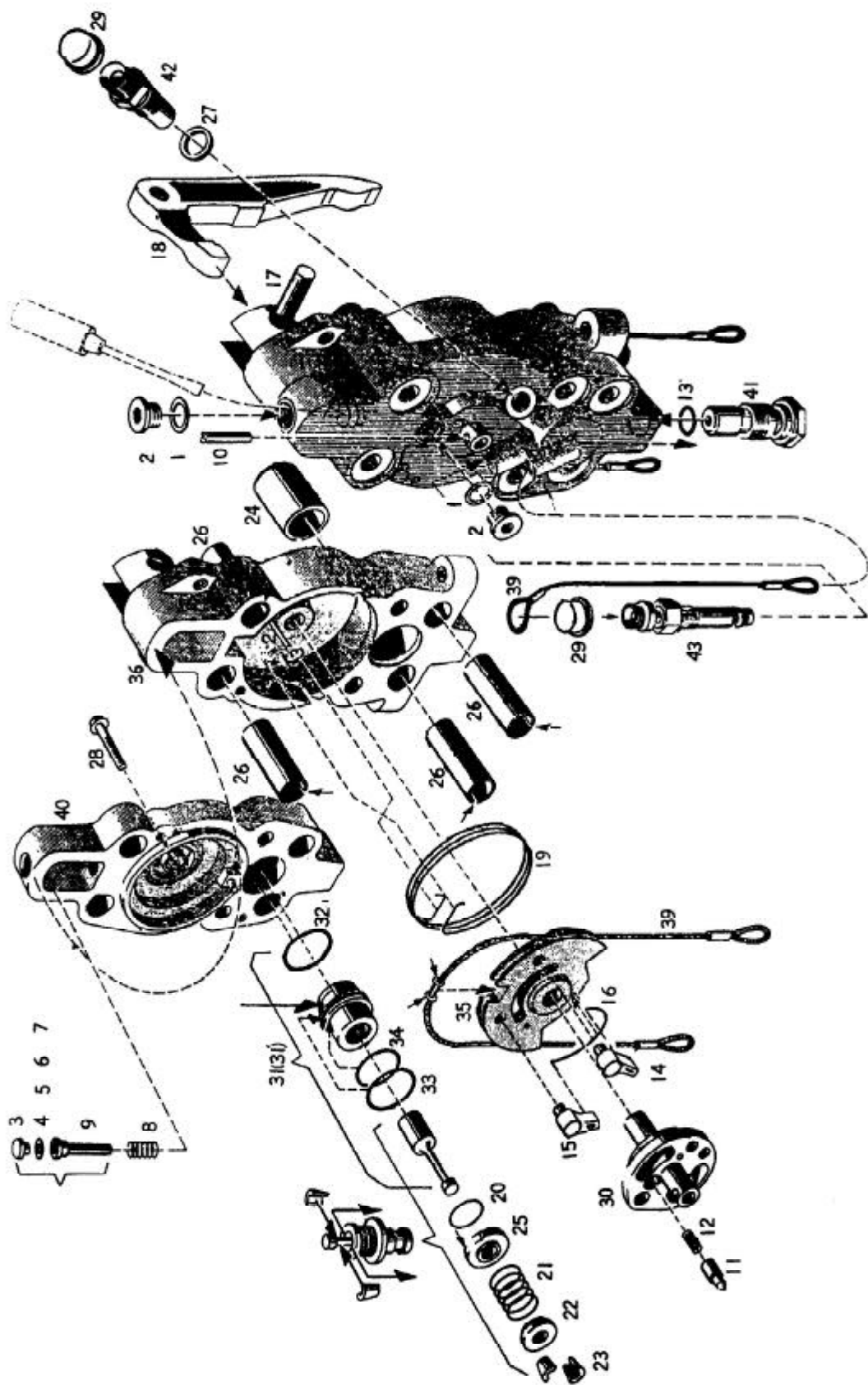
中华人民共和国



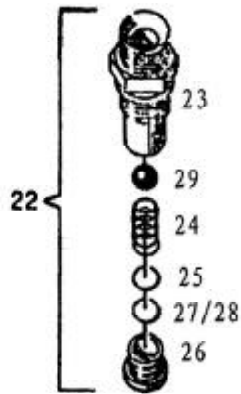
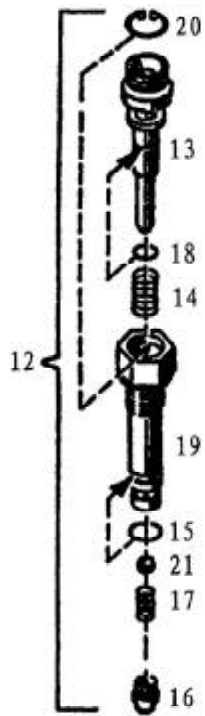
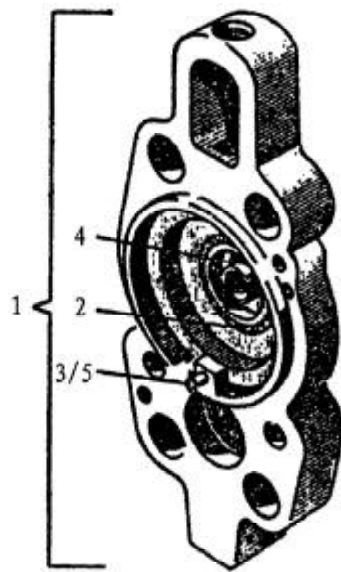
| 序号 NO. | 图号 Parts - no. | 名称 Description | | 数量 Q'ty. | 编号 Order - no. |
|-----------|-------------------|---------------------|---------------------------------------|-------------|-------------------|
| — | 136.00 | D62-22 筒式柴油打桩锤 | Diesel pile hammer D62-22 | 1 | 109068 |
| 1 | 136.01.00 | 下汽缸总成 (见第 4 页) | cylinder lower part cpl. page4 | 1 | 100252 |
| 2 | 136.02.00 | 燃油泵总成 (见第 6 页) | fuel inietion device page6 | 1 | 100258 |
| 3 | 136.03.00A | 上汽缸总成 (见第 12 页) | cylinder upper part cpl. page12 | 1 | 109070 |
| 4 | 136.05.00 | 起落架总成 (见第 14 页) | trip gear part cpl. page14 | 1 | 104953 |
| 5 | 136.06.00 | 紧固件总成 (见第 16 页) | set connecting parts. page16 | 1 | 100254 |
| 6 | 136.07.00 | 润滑油泵总成 (见第 18 页) | lube pump cpl. page18 | 1 | 108325 |
| 7 | 136.08.00 | 下活塞总成 (见第 20 页) | impact block cpl. page20 | 1 | 20001 |
| 8 | 136.09.00 | 上活塞总成 (见第 20 页) | striking weight(piston)cpl. page20 | 1 | 22559 |
| 9 | 136.10.00 | 运输保护装置 (见第 22 页) | transportation kit page22 | 1 | 100249 |
| 10 | 136.11.00 | 燃油管系统 (见第 24 页) | fuel line/breather line page24 | 1 | 109069 |
| 11 | 135.12.00 | 润滑油料系统 (见第 26 页) | lube line with connecting page26 | 4 | 109866 |
| 12 | 135.14.00 | 导向板 | guide clamp | 4 | 100283 |
| 13 | 136.15.00 | 导向块 | gibs | | 100288 |
| 14 | 136.16.00 | 工具箱及附件 (见第 27 页) | toolbox cpl. page27 | 1 | 100266 |
| 15 | 136.00.-1 | 内缓冲垫 | inner damping | 1 | 60835 |



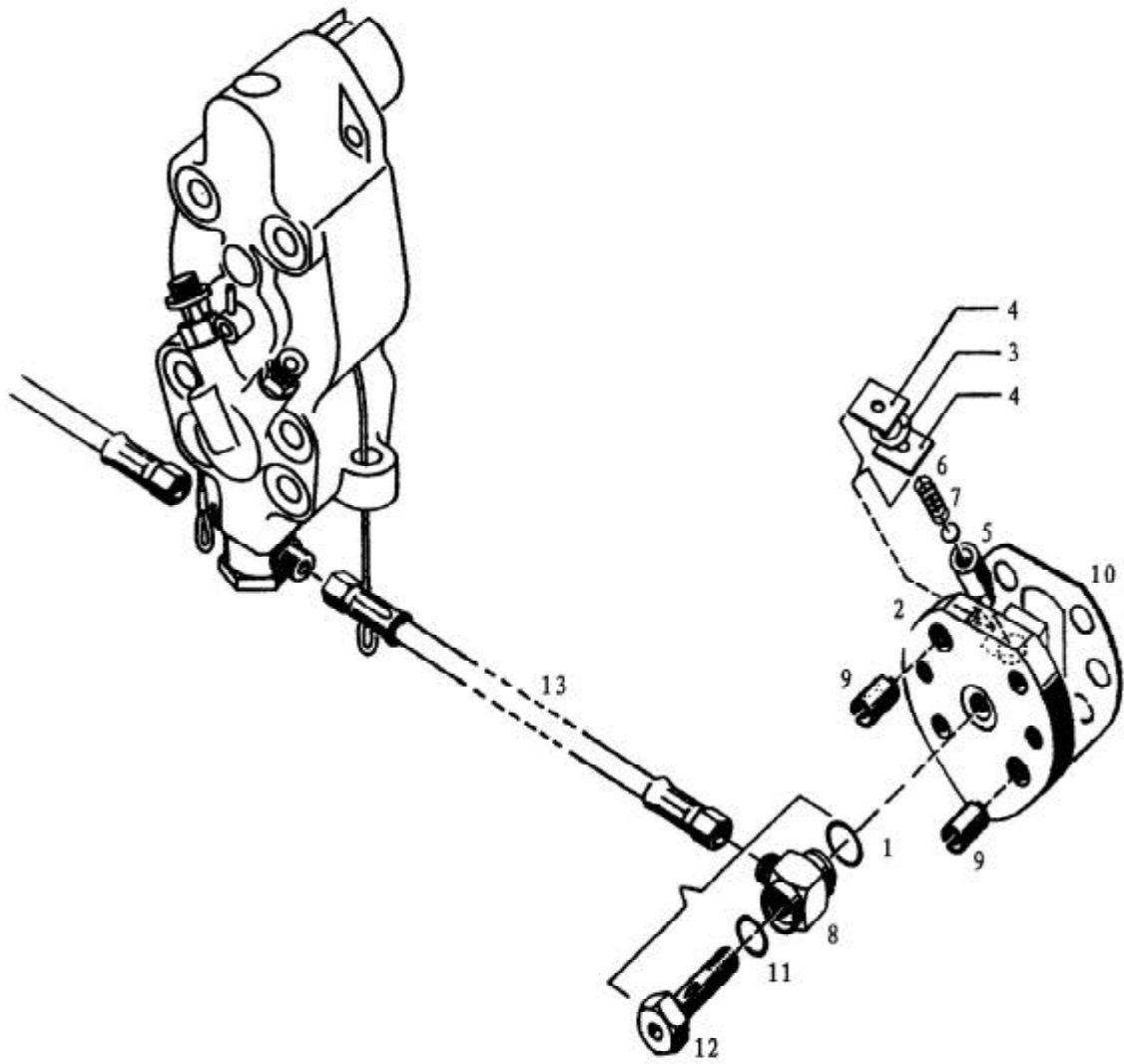
| 序号 NO. | 图号 Parts - no. | 名称 Description | | 数量 Q'ty. | 编号 Order - no. |
|-----------|-------------------|-------------------|--------------------------------------|-------------|-------------------|
| — | 136.01.00 | 下汽缸总成 | cylinder lower part cpl. | 1 | 100252 |
| 1 | 136.01.00-1 | 外缓冲垫(2半) | rubber ring (2 pieces) | 1 | 20036 |
| 2 | 135.01.00-2 | 垫圈 | sealing A1822 | 1 | 90002 |
| 3 | 135.01.00-4 | 螺塞 G3/8" | plug screw G3/8" | 1 | 932350 |
| 4 | JB1000-77 | 螺塞 M18×1.5 | plug screw M18×1.5 | 1 | 91460 |
| 5 | 136.01.01 | 下汽缸 | cylinder lower part | 1 | 100220 |
| 6 | 136.01.01-2 | 汽缸套 | cylinder sleeve(on request) | 1 | 17654 |
| 7 | 136.01.01-3 | 螺套 M30 | threaded insert M30 | 24 | 95234 |
| 8 | 136.01.02.01 | 连接法兰 | cylinder end ring cpl. (2 pieces) | 1 | 103420 |
| 9 | 136.01.02-1 | 半园挡环 | ring (2 pieces) | 1 | 17325 |
| 10 | 135.01.02-2 | 导径接头 | reducer | 2 | 22592 |
| 11 | 135.01.02.02A | 平头加油咀 M10×1 | grease nipple M10×1 | 2 | 90791 |
| 12 | 136.01.00-2 | 螺钉 | reducer screw | 12 | 20038 |
| 13 | 136.01.01-4 | 弹性柱销 | dowel pin | 24 | 94281 |



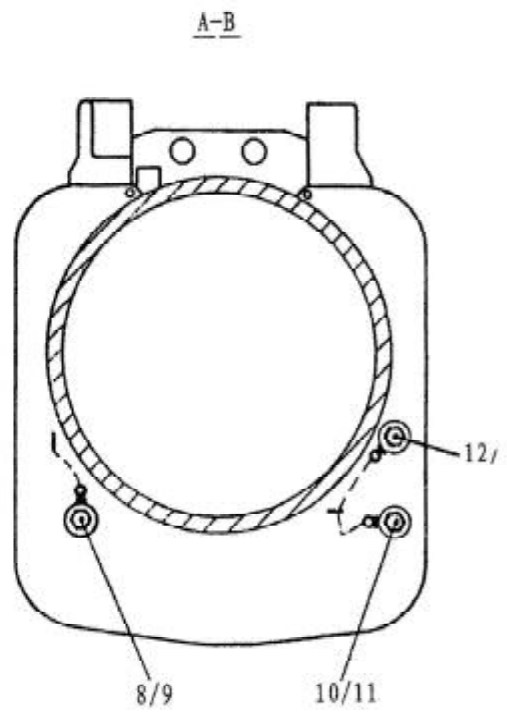
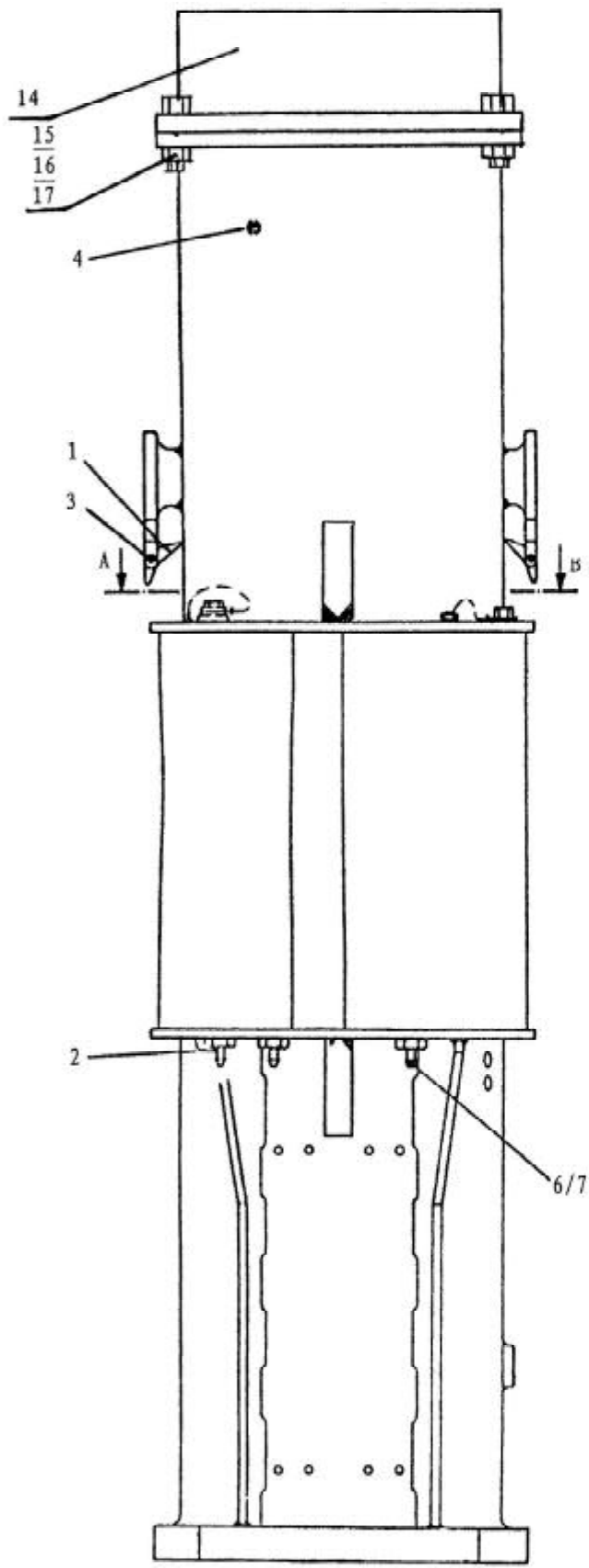
| 序号 NO. | 图号 Parts - no. | 名称 Description | | 数量 Q'ty. | 编号 Order - no. |
|-----------|-------------------|--------------------|--|-------------|-------------------|
| — | 136.02.00 | 燃油泵总成 | variable - delivery fuel pump | 1 | 100258 |
| 1 | 135.02.00 - 1 | 密封垫 A18×22 | sealing ring A1822 | 2 | 91002 |
| 2 | JB1001 - 77 | 螺塞 M18×1.5 | plug screw M18×22 | 2 | 93005 |
| 3 | 135.02.00 - 3 | 半形顶盖 | push cap | 1 | 62124 |
| 4 | 135.02.00 - 4 | 调节垫片 0.3 | adjusting washer8.2×19.8×0.3 | 1 | 97332 |
| 5 | 135.02.00 - 5 | 调节垫片 0.5 | adjusting washer8.2×19.8×0.5 | 1 | 97333 |
| 6 | 135.02.00 - 6 | 调节垫片 0.6 | adjusting washer8.2×19.8×0.6 | 1 | 97334 |
| 7 | 135.02.00 - 7 | 调节垫片 0.4 | adjusting washer8.2×19.8×0.4 | 1 | 97348 |
| 8 | 135.02.00 - 8 | 压簧 | pressure spring 14.5×34×1 | 1 | 22046 |
| 9 | 135.02.00 - 9 | 压杆 | push rod | 1 | 62126 |
| 10 | BG879 - 76 | 弹性园柱销 6×40 | dower pin 6×40 | 1 | 90150 |
| 11 | 135.02.00 - 10 | 定位销 | fixing pin | 1 | 22049 |
| 12 | 135.02.00 - 11 | 压簧 | pressure spring5.5×20×1.2 | 1 | 22044 |
| 13 | 135.02.00 - 12 | O形圈 22×3 | round sealing ring 22×3 | 1 | 91296 |
| 14 | 135.02.00 - 13 | 棘爪 | cam | 1 | 22052 |
| 15 | 135.02.00 - 14 | 棘爪 | cam | 1 | 22051 |
| 16 | 135.02.00 - 15 | 弹簧圈 | spring | 1 | 22245 |
| 17 | 135.02.00 - 16 | 销轴 | pin | 1 | 22043 |
| 18 | 135.02.00 - 17 | 压油杠杆 | pump lever | 1 | 41869 |
| 19 | 135.02.00 - 18 | 扭簧 | swivel spring | 1 | 22062 |
| 20 | 135.02.00 - 19 | O形圈 35×2.5 | round sealing ring35×2.5 | 1 | 92996 |
| 21 | 135.02.00 - 20 | 压簧 | pressure spring28×67.2×3.2 | 1 | 22060 |
| 22 | 135.02.00 - 21 | 弹簧座 | spring retaining collar | 1 | 22058 |
| 23 | 135.02.00 - 22 | 部分式圆锥环 | conical ring (2 pieces) | 1 | 22059 |
| 24 | 135.02.00 - 23 | 导向衬套 | guide sleeve | 1 | 43287 |
| 25 | 135.02.00 - 24 | 定位圈 | holder ring | 1 | 43994 |
| 26 | 135.02.00 - 25 | 弹性柱销 28×80 | dowel pin28×80 | 4 | 94315 |
| 27 | 135.02.00 - 29 | 密封垫 | sealing ring A20×24 | 1 | 92031 |
| 28 | 135.02.00 - 30 | 锁紧螺钉 M8×50 | locking screw M8×50 | 1 | 93456 |
| 29 | 135.02.00 - 31 | 保护盖 | protecting cap | 2 | 93236 |
| 30 | 135.02.01 | 凸轮轴总成 | switch shaft | 1 | 43308 |
| 31 | 136.02.03 | 柱塞付总成 | Pump element cpl. | 1 | 67218 |
| 32 | 135.02.02 - 1 | O形圈 42×3 | round sealing ring42×3 | 1 | 95933 |
| 33 | 135.02.03 - 1 | O形圈 47×2.5 | round sealing ring 47×2.5 | 1 | 96080 |
| 34 | 135.02.03 - 3 | O形圈 40×2.5 | round sealing ring40×2.5 | 1 | 91339 |
| 35 | 135.02.04 | 绳索滑轮 | rope disc cpl. | 1 | 22040 |
| 36 | 135.02.05 | 泵体总成 | Pump body cpl. | 1 | 43289 |
| 37 | GB879 - 76 | 弹性园柱销 6×28 | dowel pin 6×28 | 1 | 90137 |
| 38 | GB879 - 76 | 弹性园柱销 5×40 | dowel pin 5×40 | 1 | 90155 |
| 39 | 135.02.11 | 操纵绳 | regulation rope | 1 | 17546 |
| 40 | 135.02.02 | 泵盖总成(见第 10 页) | pump cover clp. page10 | 1 | 43291 |
| 41 | 135.02.06 | 出油阀总成 (见第 10 页) | chech - non - return valve cpl. pgae 10 | 1 | 60827 |
| 42 | 135.02.09 | 吸油阀总成 (见第 10 页) | suction valve cpl page 10 | 1 | 41863 |
| 43 | 135.02.10 | 回油阀总成 | stop valve cpl. page 10 | 1 | 41868 |



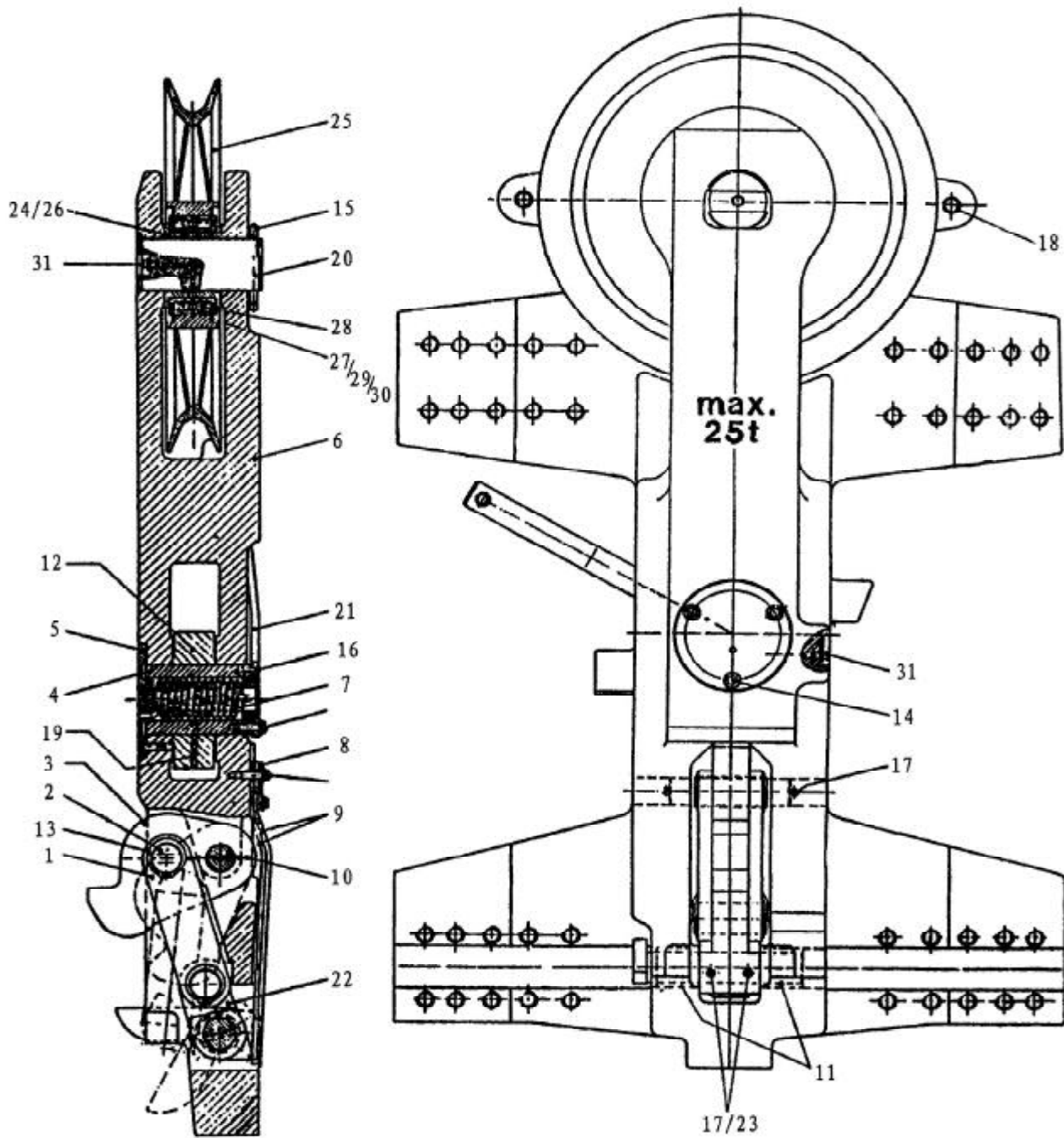
| 序号 NO. | 图号 Parts - no. | 名称 Description | | 数量 Q'ty. | 编号 Order - no. |
|-----------|-------------------|-------------------|---------------------------------|-------------|-------------------|
| 1 | 135.02.02 | 泵盖总成 | pump cover cpl. | 1 | 43291 |
| 2 | 135.02.02-2 | 垫 | ring | 1 | 22050 |
| 3 | 135.02.02-3 | 止动销 | stop pin | 1 | 43307 |
| 4 | 135.02.02.01 | 挡块 | stop | 1 | 22796 |
| 5 | GB879-76 | 弹性圆柱销 10×32 | dowel | 1 | 90231 |
| 6 | 135.02.06 | 出油阀总成 | check - non - return valve cpl. | 1 | 60827 |
| 7 | 135.02.06-1 | 阀座 | housing | 1 | 43297 |
| 8 | 135.02.06-2 | 阀芯 | valve piston | 1 | 43299 |
| 9 | 135.02.06-3 | 压簧 | pressure spring | 1 | 22034 |
| 10 | 135.02.06-4 | 接头 | screw | 1 | 60194 |
| 11 | 135.06.06-5 | 直通接头 | ring type nipple | 1 | 60195 |
| 12 | 135.02.10 | 回油阀总成 | stop valve cpl. | 1 | 41868 |
| 13 | 135.02.10-1 | 阀杆 | valve rod | 1 | 43138 |
| 14 | 135.02.10-2 | 压簧 | pressure spring | 1 | 43279 |
| 15 | 135.02.10-3 | O形圈 12×3 | round sealing ring 12×3 | 1 | 94316 |
| 16 | 135.02.10-4 | 螺塞 | threaded plug | 1 | 22021 |
| 17 | 135.02.10-5 | 压簧 | pressure spring | 1 | 98929 |
| 18 | 135.02.10-6 | O形圈 8×3 | round sealing ring 8×3 | 1 | 91894 |
| 19 | 135.02.10-7 | 阀体 | valve screw | 1 | 43130 |
| 20 | GB893-76 | 弹性挡圈 20×1 | circlip 20×1 | 1 | 95768 |
| 21 | GB308-64 | 钢球 8.731mm | ball Ø8.731mm | 1 | 98511 |
| 22 | 135.02.09 | 吸油阀总成 | suction valve cpl. | 1 | 41863 |
| 23 | 135.02.09-1 | 接套 | sleeve | 1 | 41861 |
| 24 | 135.02.09-2 | 压簧 | pressure spring 7.3×8×0.7 | 1 | 22022 |
| 25 | 135.02.09-3 | 垫片 | washer | 1 | 95294 |
| 26 | 135.02.09-4 | 螺塞 | threaded plug | 1 | 41862 |
| 27 | 135.02.09-5 | 垫片 | washer | 1 | 22023 |
| 28 | 135.02.09-6 | 调整垫片 | adjusting washer | 1 | 191300 |
| 29 | GB308-64 | 钢球 8.731 | ball Ø8.731 | 1 | 98511 |



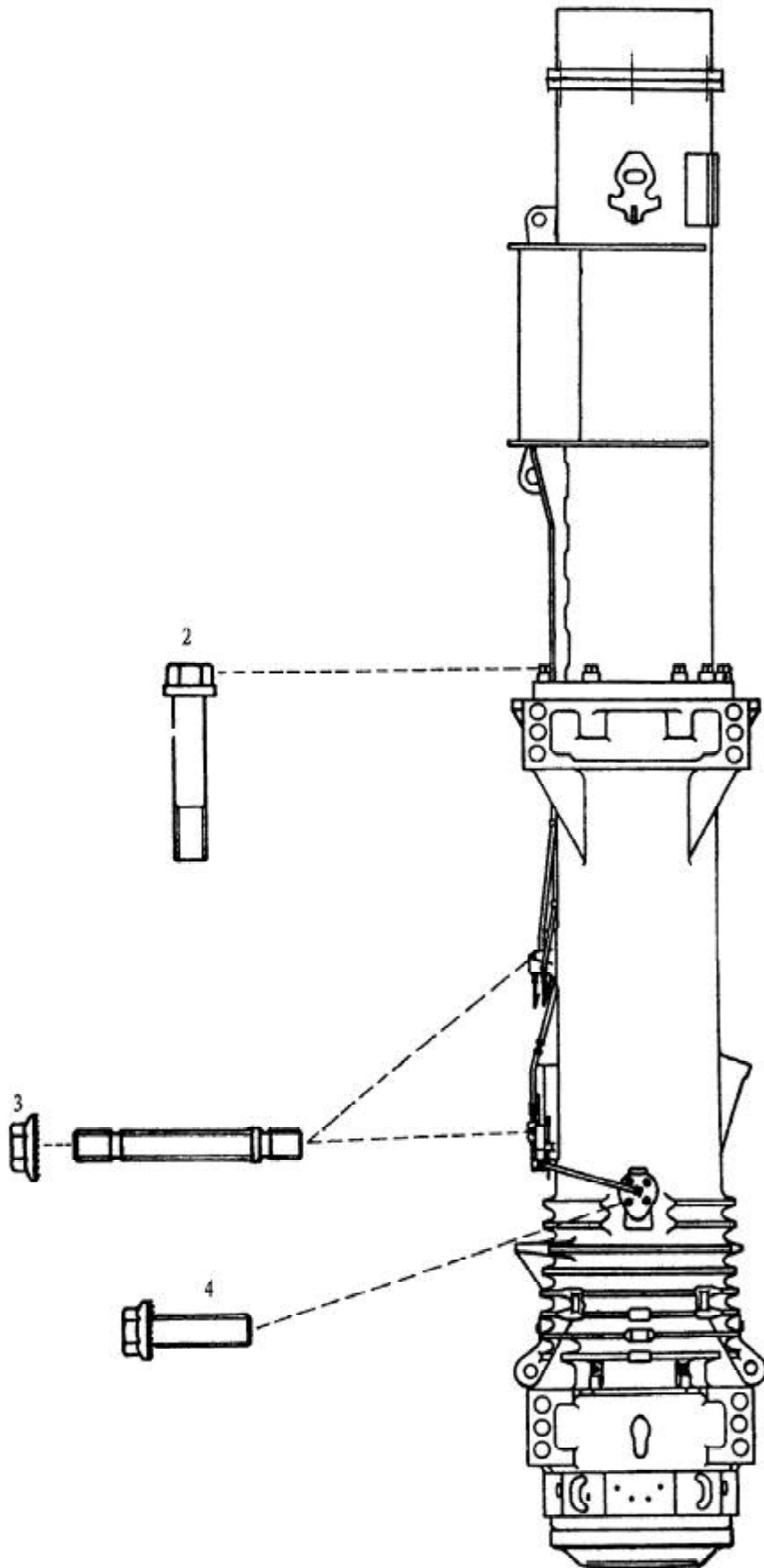
| 序号 NO. | 图号 Parts - no. | 名称 Description | | 数量 Q' ty. | 编号 Order - no. |
|-----------|-------------------|-------------------|---------------------------|--------------|-------------------|
| 1 | 136.02.02 | 喷油咀 | injection valve cpl. 22 | 2 | 104675 |
| 2 | 136.02.02-1 | 喷油咀体 | injection valve body | 2 | 104676 |
| 3 | 135.02.07-2 | 蝶型弹簧 | spring washer | 2 | 64461 |
| 4 | 135.02.07-3 | 锁紧片 | locking plate | 4 | 64460 |
| 5 | 135.02.07-4 | 阀芯 | valve piston | 2 | 63843 |
| 6 | 135.02.07-5 | 压簧 | pressure spring | 2 | 97569 |
| 7 | 135.02.07-7 | 调整垫片 | adjusting washer | 4 | 97573 |
| 8 | 135.02.00-26 | 铰接头 | threaded pipe joint | 2 | 97038 |
| 9 | 135.02.00-27 | 弹性园柱销 21×28 | dowel pin 21×28 | 4 | 95633 |
| 10 | 135.02.00-28 | 密封垫 | sealing | 2 | 45647 |
| 11 | 135.02.00-32 | O型圈 17×1.5 | round sealing ring 17×1.5 | 4 | 97258 |
| 12 | 135.02.00-33 | 空心螺钉 | hollow screw | 2 | |
| 13 | 136.02.01A | 高压软管 | high pressure hose | 2 | 97174 |



| 序号 NO. | 图号 Parts - no. | 名称 Description | | 数量 Q'ty. | 编号 Order - no. |
|-----------|-------------------|-------------------|--------------------------|-------------|-------------------|
| — | 136.03.00A | 上汽缸总成 | cylinder upper part cpl. | 1 | 109070 |
| 1 | 135.03.00-1 | 棘爪 | ratchet | 2 | 17039 |
| 2 | 135.03.00-2 | 闷盖 | protection plug | 1 | 96890 |
| 3 | 125.03.00-3 | 弹性 13×60 | dowel pin 13×60 | 2 | 90044 |
| 4 | 135.01.02.02A | 平头加油嘴 M10×1 | grease nipple M10×1 | 4 | 90791 |
| 5 | 136.03.01B | 上汽缸缸体 | cylinder upper part | 1 | 109071 |
| | 135.03.02 | 过滤器接头 | filter elbow | 4 | 64403 |
| 6 | 135.03.02-1 | 螺纹接头 | screwed joint | 4 | 66552 |
| 7 | 135.03.02-2 | 滤清器 | filter element | 4 | 99896 |
| | 135.03.03 | “乙醚”螺塞总成 | plug screw“ether”cpl. | 1 | 20651 |
| 8 | 135.03.03-1 | “乙醚”螺塞 | plug screw “ether” | 1 | 47613 |
| 9 | 135.03.03-2 | 链节 | chain link, exchangeable | 1 | 2253 |
| | 135.03.04 | “润滑油”螺塞总成 | plug screw“lube”cpl. | 1 | 17188 |
| 10 | 135.03.04-1 | “润滑油”螺塞 | plug screw“lube” | 1 | 47611 |
| 11 | 135.03.04-2 | 链节 | chain link, exchangeable | 1 | 2253 |
| | 135.03.05 | “柴油”螺塞总成 | plug screw“FUEL”cpl. | 1 | 17186 |
| 12 | 135.03.05-1 | “柴油”螺塞 | plug screw“FUEL” | 1 | 47608 |
| 13 | 135.03.05-2 | 链节 | chain link, exchangeable | 1 | 2253 |
| 14 | 135.03.01.02 | 接缸 | extend cylinder | 1 | |
| 15 | GB5780-86 | 螺栓 M24×120 | screw | 12 | |
| 16 | GB6175-86 | 螺母 M24 | nut | 12 | |
| 17 | GB93-86 | 弹簧垫圈 24 | washer | 12 | |

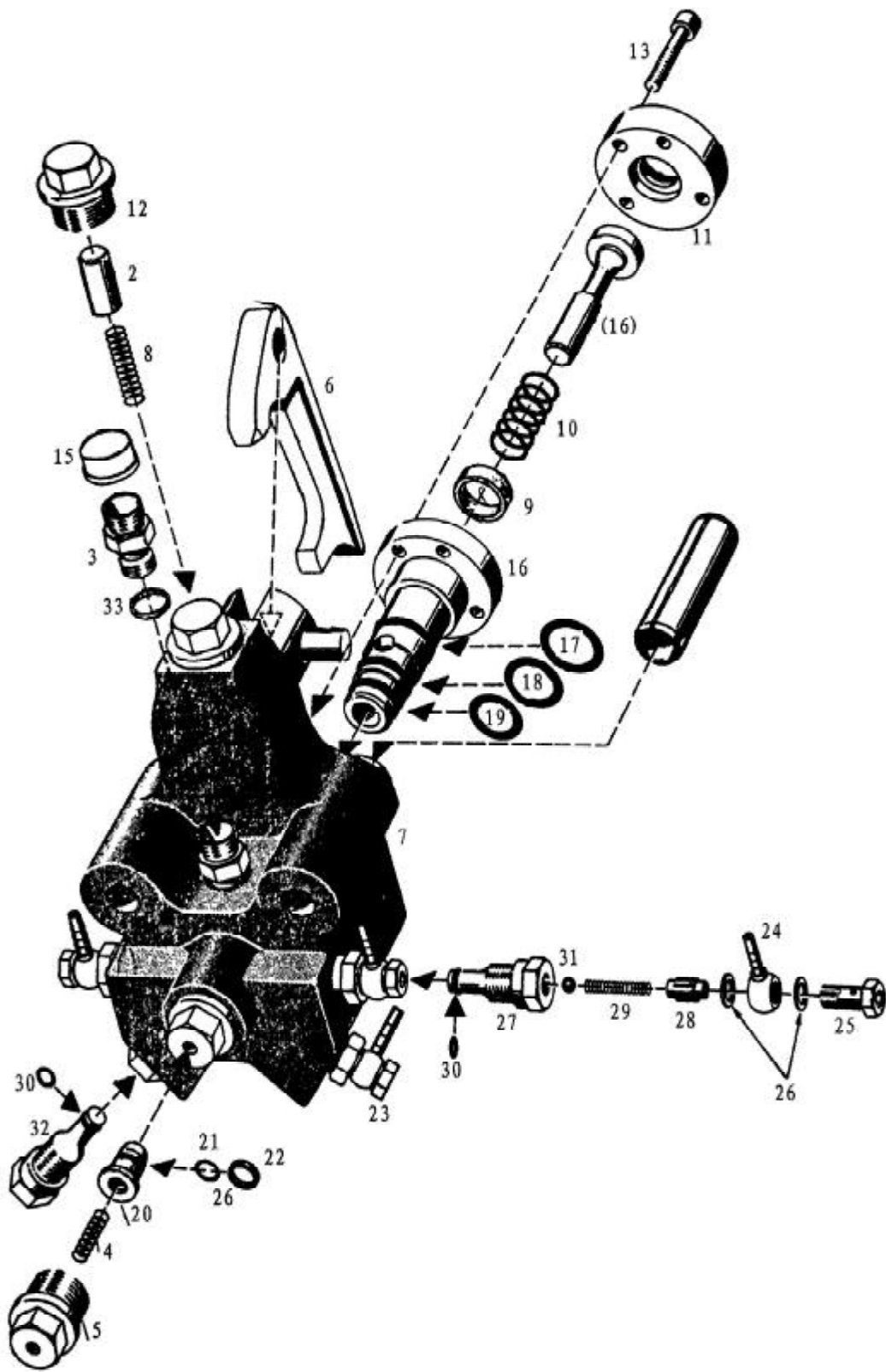


| 序号 NO. | 图号 Parts - no. | 名称 Description | | 数量 Q'ty. | 编号 Order - no. |
|-----------|-------------------|-------------------|----------------------|-------------|-------------------|
| — | 135.05.00 | 起落架总成 | Trip gear cpl. | 1 | 104953 |
| 1 | 135.05.00-1 | 连接板 | shackle | 2 | 16781 |
| 2 | 135.05.00-2 | 销轴 | joint bolt | 2 | 16922 |
| 3 | 135.05.00-3 | 起动机 | pawl | 1 | 16921 |
| 4 | 135.05.00-4 | 轴 | shaft | 1 | 104926 |
| 5 | 135.05.00-5 | 盖板 | cover | 1 | 104927 |
| 6 | 135.05.00-6 | 架体 | guide body | 1 | 104923 |
| 7 | 135.05.00-7 | 扭簧 | torsion spring | 1 | 104943 |
| 8 | 135.05.00-8 | 板 | plate | 1 | 17045 |
| 9 | 135.05.00-9 | 板簧 | leaf spring | 2 | 16801 |
| 10 | 135.05.00-10 | 销 | pin | 1 | 104944 |
| 11 | 135.05.00-11 | 衬套 | sleeve | 2 | 16916 |
| 12 | 135.05.00-12 | 提锤块 | carrier | 1 | 104925 |
| 13 | 135.05.00-13 | 弹性挡圈 45×1.75 | circlip 45×1.75 | 4 | 93242 |
| 14 | 135.05.00-14 | 螺栓 | locking screw M10×30 | 9 | 93414 |
| 15 | GB91-76 | 开口销 10×112 | split pin 10112 | 1 | 95274 |
| 16 | GB876-76 | 弹性柱销 10×32 | dowel pin 10×32 | 1 | 90231 |
| 17 | GB879-76 | 弹性柱销 8×80 | dowel pin 8×80 | 4 | 95186 |
| 18 | 135.05.00-15 | 弹性柱销 25×140 | dowel pin 25×140 | 2 | 92663 |
| 19 | GB879-76 | 弹性柱销 16×70 | dowel pin 16×70 | 1 | 90874 |
| 20 | 135.05.01-1 | 滑轮轴 | sheave pin | 1 | 104947 |
| 21 | 135.05.02 | 操纵杆 | lever | 1 | 104928 |
| 22 | 135.05.03 | 起动机杆 | pawl lever | 1 | 104952 |
| 23 | 135.05.03-2 | 弹性柱销 13×80 | dowel pin 13×80 | 2 | 90600 |
| — | 135.05.04A | 滑轮总成 | rope pulley cpl. | 1 | 190106 |
| 24 | 135.05.04A-1 | 衬套 | sleeve | 2 | |
| 25 | 135.05.04A-2 | 滑轮 | rope pulley | 1 | |
| 26 | 135.05.04A-3 | 调整垫 | adjusting ring | 3 | |
| 27 | 135.05.04A-4 | 压板 | plate | 1 | |
| 28 | 135.05.04A-5 | 轴承 36220 | bearing 36220 | 2 | |
| 29 | GB93-76 | 垫圈 8 | washer 8 | 6 | |
| 30 | GB70-76 | 螺钉 M8×20 | screw M8×20 | 6 | |
| 31 | 135.01.02.02A | 平头加油嘴 M10×1 | grease nipple M10×1 | 3 | 90791 |
| * | 135.05.05 | 单点吊架 | hoist plate cpl. | 1 | |
| | Q/JB 44-66 | 卸扣 4.9 | shackle 4.9 | 1 | |
| | GB 30-76 | 螺栓 M24×65 | screw M24×65-8.8 | 6 | |
| | GB 93-76 | 垫圈 24 | washer 24 | 6 | |

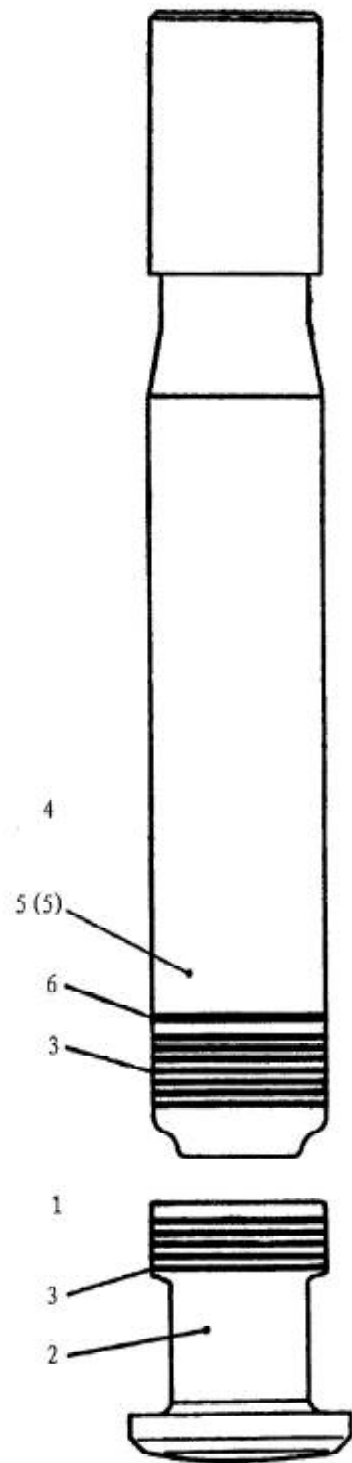


| 序号 NO. | 图号 Parts - no. | 名称 Description | | 数量 Q'ty. | 编号 Order - no. |
|-----------|-------------------|----------------------------------|---|-------------|-------------------|
| — | 136.06.00 | 紧固件 | set connecting parts | 1 | 100254 |
| 1 | 136.06.00-1 | 双头螺栓 | stud bolt M16 | 8 | 20189 |
| 2 | 136.01.00-2 | 螺钉 | reduced screw | 16 | 20038 |
| 3 | 135.06.00-5 | 螺母 M16 | locking nut M16 | 8 | 94722 |
| 4 | 135.06.00-6 | 螺栓 M16×45 | locking screw M16×45 | 8 | 95639 |
| * | 136.14.00-2 | 弹性销 | dowel pin | 8 | 98807 |
| * | G15782-86 | 螺栓 M30×220 (用于导向板 下汽缸的连接) | reduced screw M30×220 (for guide clamps with cylinder lower part) | 12 | 92607 |
| * | GB5782-86 | 螺栓 M24×200 (用于导向块和 起落架的连接) | reduced screw M24×200 (for guide gibs with trip gear) | 8 | 96878 |

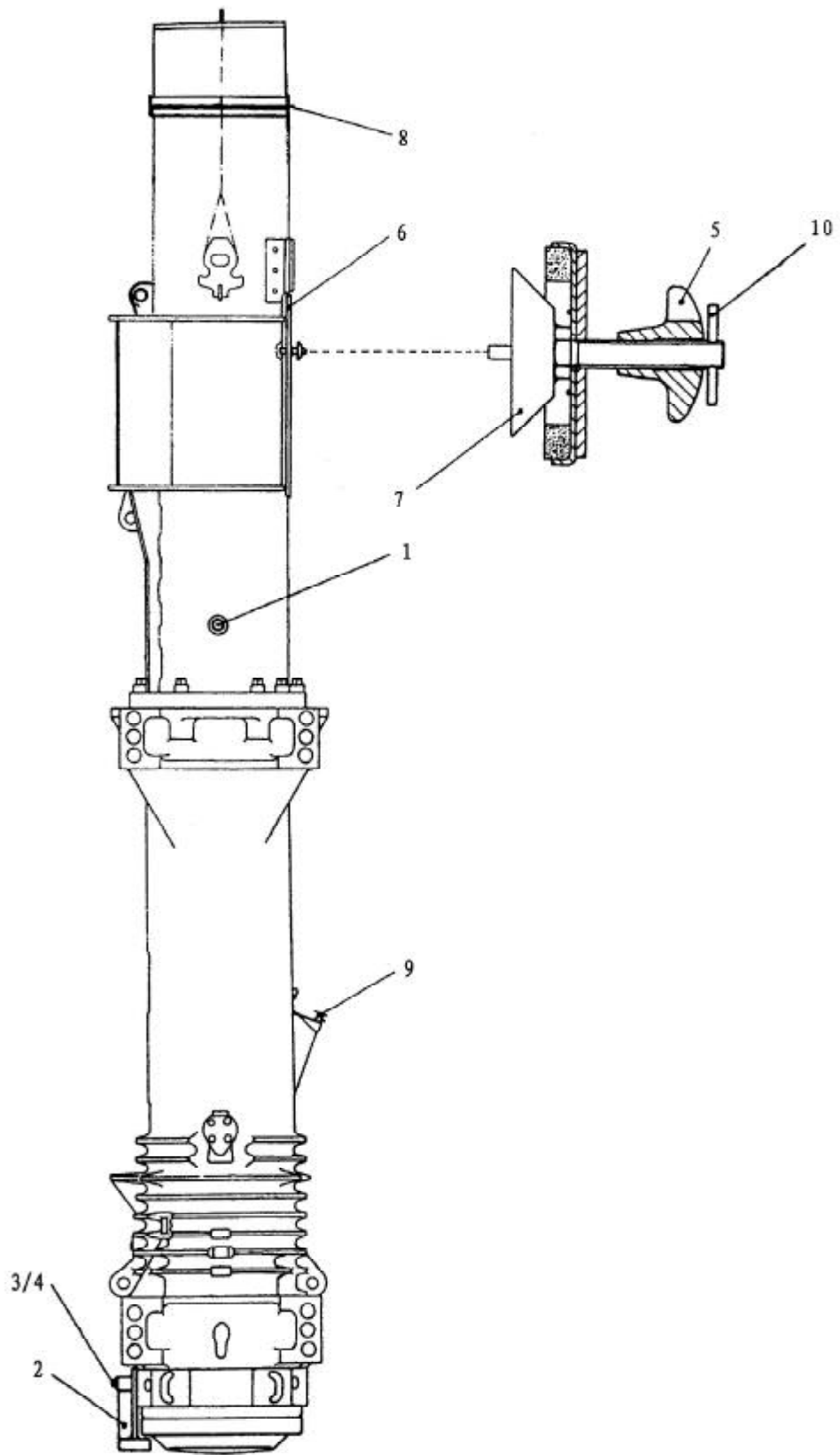
注:带“*”符号另件图中未标出。



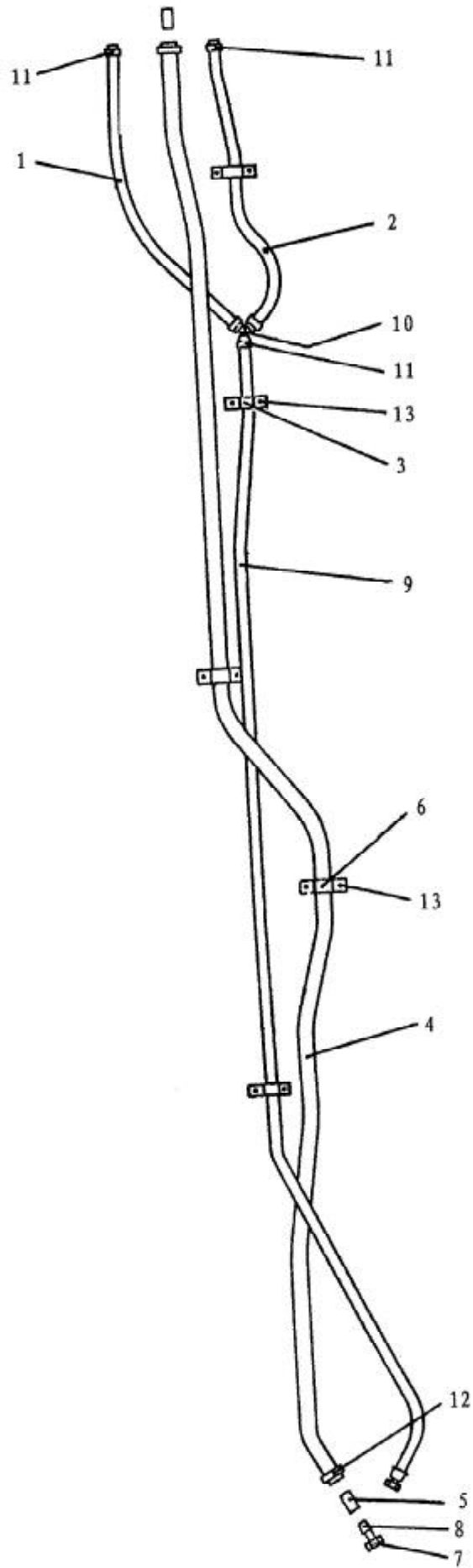
| 序号 NO. | 图号 Parts - no. | 名称 Description | | 数量 Q'ty. | 编号 Order - no. |
|-----------|-------------------|-------------------|--------------------------|-------------|-------------------|
| — | 136.07.00 | 润滑油泵 | Lube pump cpl | 1 | 108325 |
| 1 | 135.07.00-1 | 销 | pin | 1 | 22082 |
| 2 | 135.07.00-2 | 衬套 | sleeve | 1 | 22090 |
| 3 | 135.07.00-3 | 螺纹接头 | adaptor (tube to thread) | 1 | 67290 |
| 4 | 135.07.00-4 | 压簧 | pressure spring | 1 | 190479 |
| 5 | 136.07.00-1 | 螺塞 | plug screw | 1 | 108328 |
| 6 | 135.07.00-6 | 压油杠杆 | pump lever | 1 | 22081 |
| 7 | 135.07.00-7 | 泵体 | pump body | 1 | 108315 |
| 8 | 135.07.00-8 | 压簧 | pressure spring | 1 | 22089 |
| 9 | 135.07.00-9 | 挡圈 | ring | 1 | 67283 |
| 10 | 135.07.00-10 | 压簧 | pressure spring | 1 | 97325 |
| 11 | 135.07.00-11 | 垫圈 | washer | 1 | 67282 |
| 12 | 135.07.00-12 | 螺塞 | plug screw | 1 | 91976 |
| 13 | GB 70-76 | 螺钉 M8×35 | screw M8×35 | 4 | 90937 |
| 14 | 135.02.00-25 | 弹性圆柱 28×8 | dowel pin 28×80 | 2 | 94315 |
| 15 | 135.02.00-31 | 保护盖 | protecting cap | 1 | 93236 |
| 16 | 135.07.01 | 柱塞付 | cylinder cpl. | 1 | 67279 |
| 17 | 105.07.01-3 | O型密封圈 80×3 | round sealing ring 30×3 | 1 | 92952 |
| 18 | 135.07.01-4 | O型密封圈 26×3 | round sealing ring 26×3 | 1 | 91357 |
| 19 | 135.02.00-12 | O型密封圈 22×2 | ronnd sealing ring 22×2 | 1 | 91296 |
| — | 135.07.02 | 调节阀芯总成 | piston cpl. | 1 | 67284 |
| 20 | 135.07.02-1 | 调节阀芯 | piston | 1 | 67285 |
| 21 | 135.07.02-2 | O型密封圈 | round sealing ring | 1 | 97236 |
| 22 | 135.07.02-3 | 挡圈 | slide ring | 1 | 97326 |
| 23 | 135.07.03 | 出油阀总成 | pressure valve cpl. | 3 | 108317 |
| 24 | 135.07.03-1 | 铰接头 | ring type nipple | 3 | 97949 |
| 25 | 135.07.03-2 | 铰接螺钉 | hollow screw | 3 | 97948 |
| 26 | 135.07.03-3 | 密封圈 | sealing ring | 6 | 91417 |
| 27 | 135.07.03-4 | 螺纹接头 | adaptor (tube to thread) | 3 | 108319 |
| 28 | 135.07.03-5 | 螺塞 | threaded plug | 3 | 104679 |
| 29 | 135.07.03-6 | 压簧 | pressure spring | 3 | 190005 |
| 30 | 135.07.03-7 | O型密封圈 | round sealing ring 8×2 | 4 | 97855 |
| 31 | GB 308-64 | 钢球 Ø6 | ball Ø6 | 3 | 90307 |
| 32 | 135.07.04-1 | 螺塞 | plug screw | 1 | 108316 |
| 33 | 135.02.00-29 | 密封垫 | sealing ring | 1 | 92031 |



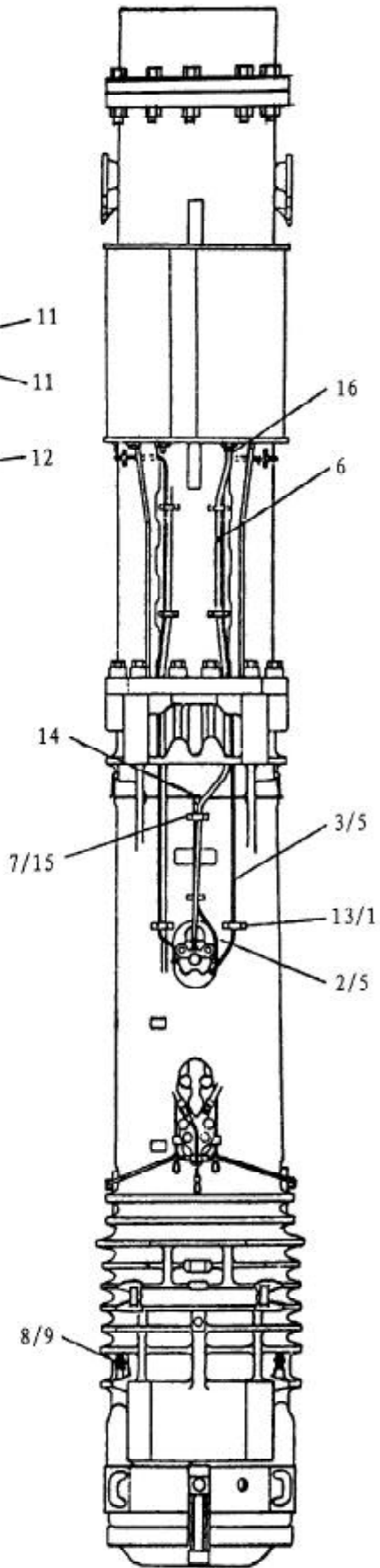
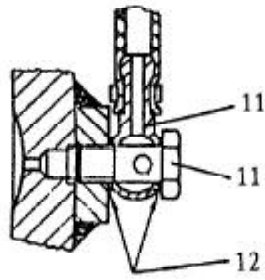
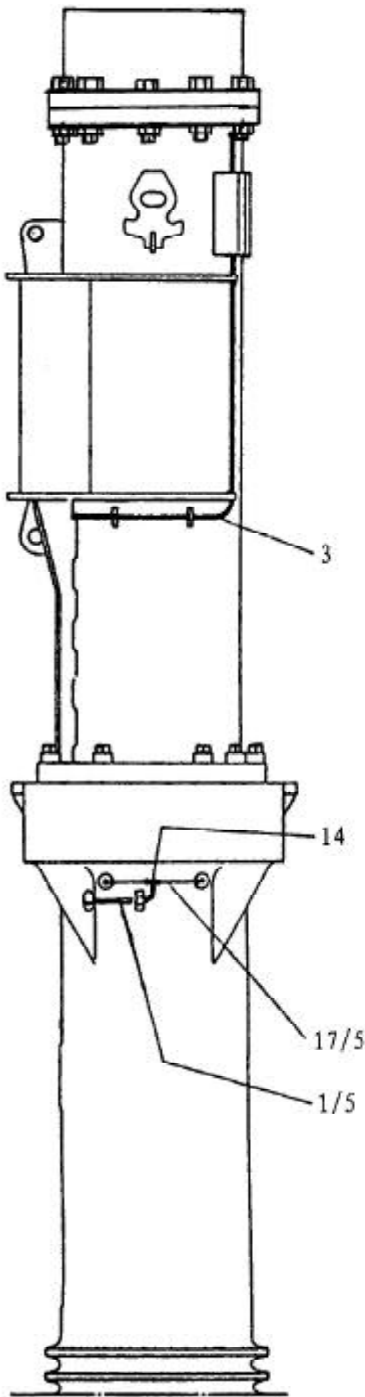
| 序号 NO. | 图号 Parts - no. | 名称 Description | | 数量 Q'ty. | 编号 Order - no. |
|-----------|-------------------|-------------------|---------------------------------|-------------|-------------------|
| 1 | 136.08.00 | 下活塞总成 | impact block cpl. | 1 | 20001 |
| 2 | 136.08.00-1 | 下活塞 | impact block | 1 | 20002 |
| 3 | 136.08.00-2 | 活塞环 | piston ring | 12 | 16626 |
| 4 | 136.09.00 | 上活塞总成 | striking weight (piston)cpl. | 1 | 22559 |
| 5 | 136.09.00-1 | 上活塞 | striking weight (piston) | 1 | 41330 |
| 6 | 136.09.00-2 | 阻挡环 | catch piston ring | 1 | 16623 |



| 序号 NO. | 图号 Parts - no. | 名称 Description | | 数量 Q'ty. | 编号 Order - no. |
|-----------|-------------------|-------------------|-----------------------------|-------------|-------------------|
| — | 136.10.00 | 运输保护装置 | transport protecting cpl. | 1 | 100249 |
| 1 | 135.10.00-1 | 安全螺钉 M42×3 | locking screw M42×3 | 1 | 105787 |
| — | 136.10.01 | 下活塞锁紧装置总成 | impact block securing clamp | 1 | 41915 |
| 2 | 136.10.01.01 | 安全卡板 | securing clamp | 1 | 41916 |
| 3 | 135.06.00-2 | 螺栓 | reduced screw M24 | 1 | 20174 |
| 4 | 135.06.00-4 | 弹性圆柱销 40×75 | dowel pin 40×75 | 1 | 95195 |
| — | 136.10.02 | 安全板 | cylinder slot cover cpl. | 1 | 100562 |
| 5 | 135.10.02-2 | 十字把手 | star handle | 1 | 96200 |
| 6 | 136.10.02.01 | 安全板 | cylinder slot cover | 1 | 100563 |
| 7 | 135.10.02.02 | 翼形螺栓 | tommy screw | 1 | 45650 |
| 8 | 136.10.03A | 保护盖总成 | protecting cap | 1 | |
| 9 | 135.10.04A | 排气孔盖板总成 | exhaust cover cpl. | 2 | |
| | 136.10.05 | 运输角架 | transport angle bracket | 4 | |
| 10 | GB879-76 | 弹性圆柱销 6×60 | dowel pin 6×60 | 1 | 90160 |



| 序号 NO. | 图号 Parts - no. | 名称 Description | | 数量 Q'ty. | 编号 Order - no. |
|-----------|-------------------|-------------------|-----------------------------|-------------|-------------------|
| — | 136.11.00 | 燃油管系统 | fuel line/breather line cpl | 1 | 109069 |
| 1 | 136.11.00-2 | 软管 0.8m 长 | hose 0.8m long | 1 | 17332 |
| 2 | 136.11.00-3 | 软管 0.48m 长 | hose 0.48m long | 1 | 99066 |
| 3 | 136.11.00-4 | 夹箍 | clip | 3 | 100268 |
| 4 | 136.11.00-5 | 软管 2.6m 长 | hose 2.6m long | 1 | 191227 |
| 5 | 136.11.00-6 | 软管 0.03m 长 | hose 0.03m long | 2 | 191228 |
| 6 | 136.11.00-7 | 夹箍 | clip | 2 | 66951 |
| 7 | 136.11.00-8 | 螺母 | union nut | 1 | 98831 |
| 8 | 136.11.00-9 | 接管 | push - innipple | 1 | 191229 |
| 9 | 136.11.01 | 胶管接头 | hose 2.12m long | 1 | 191226 |
| 10 | 135.11.01A | Y型接头 | Y - piece | 1 | 99019 |
| 11 | No.0 | 喉箍 | hose clip | 6 | 94229 |
| 12 | No.1A | 喉箍 | hose cilp | 2 | 95346 |
| 13 | 135.12.00-8 | 锁紧螺钉 M8×12 | locking screw M8×12 | 10 | 93412 |



| 序号 NO. | 图号 Parts - no. | 名称 Description | | 数量 Q'ty. | 编号 Order - no. |
|-----------|-------------------|-------------------|---|-------------|-------------------|
| — | 136.12.00 | 润滑油管系统 | Lube line with connecting parts cpl. | 1 | 109866 |
| 1 | 136.12.00-2 | 软管 0.63m 长 | hose 0.63m long | 2 | 99063 |
| 2 | 136.12.00-3 | 软管 1.15m 长 | hose 1.15m long | 1 | 100568 |
| 3 | 136.12.00-4 | 软管 4.06m 长 | hose 4.06m long | 2 | 43456 |
| 4 | 136.12.00-5 | 软管 0.15m 长 | hose 0.15m long | 4 | 2976 |
| 5 | No.000 | 喉箍 | hose clip | 19 | 95115 |
| 6 | No.0 | 喉箍 | hose clip | 1 | 94299 |
| 7 | 136.11.00-4 | 夹箍 | clip | 3 | 100268 |
| 8 | 135.01.02-2 | 异径接头 | reducer | 4 | 22592 |
| 9 | 135.01.02.02A | 平头加油嘴 M10×1 | grease nipple M10×1 | 4 | 90791 |
| 10 | 135.07.03-1 | 铰接头 | ring type nipple | 6 | 97949 |
| 11 | 135.07.03-2 | 铰接螺钉 | hollow screw | 6 | 97948 |
| 12 | 135.07.03-3 | 密封圈 | sealing ring | 12 | 91417 |
| 13 | 135.12.00-1 | 管夹 | clip | 10 | 2932 |
| 14 | 135.12.00-7 | 三通接头 | T-piece | 3 | 94522 |
| 15 | GB5782-86 | 锁紧螺钉 M8×12 | locking screw M8×12 | 26 | 93412 |
| 16 | 136.12.01 | 胶管接头 2M 长 | hose 2m long | 1 | 98549 |

| 序号 NO. | 图号 Parts - no. | 名称 Description | | 数量 Q'ty. | 编号 Order - no. |
|-----------|-----------------------|-----------------------------|---|-------------|-------------------|
| | 136.16.00 | 工具及附件 | Tools and accessories | 1 | |
| 1 | 136.16.01 | 活塞环抱箍 | piston ring fitting band complete | 1 | 16994 |
| 2 | 135.16.02 | 活塞环安装钳总成 | piston ring fitting pliers complete | 1 | 16897 |
| 3 | 135.16.03 | 安装板 | assembly plate complete | 2 | 22700 |
| 4 | 135.16.04-1 | 安装板 | assembly plate | 1 | 22251 |
| 5 | 135.16.04-2 | 连接板 | connecting plate | 1 | 22252 |
| 6 | 135.16.04-3 | 螺栓 | bolt | 2 | 22253 |
| 7 | 135.16.04-4 | 轴 | pin sheave | 1 | 22259 |
| 8 | 135.16.04-5 | 冲孔器 $\phi 12/\phi 16$ | punch $\phi 12/\phi 16$ | 1 | |
| 9 | 135.16.04-6 | 冲孔器 $\phi 4/\phi 8$ | punch $\phi 4/\phi 8$ | 1 | |
| 10 | 135.16.04-7 | 单头扳手 | single - head spannet | 1 | |
| 11 | 135.16.05 | 工具箱 | tool box | 1 | |
| 12 | 135.16.06 | 黄油枪总成 | grease gun | 1 | 90795 |
| 13 | 135.01.02.02A | 平头加油咀 $M10 \times 1$ | grease nipple $M10 \times 1$ | 1 | 90791 |
| 14 | | 尼龙绳 $\phi 6 \times 35m$ | rope 35m long | 2 | 1130 |
| 15 | | 尼龙绳 $\phi 6 \times 70m$ | rope 70m long | 1 | 1129 |
| 16 | 2350-20/36 (DWN29) | 棘轮扳手 | ratchet spanner | 1 | 90196 |
| 17 | GB825-76 | 吊环螺钉 M56 | ring screw M56 | 1 | 94285 |
| 18 | 135.05.03-2 | 弹性圆柱销 13×80 | dowel pin 13×80 | 2 | 90600 |
| 19 | GB879-76 | 弹性圆柱销 8×80 | dowel pin 8×80 | 2 | 90173 |
| 20 | GB879-76 | 弹性圆柱销 3×16 | dowel pin 3×16 | 1 | |
| 21 | GB1102-74 | 钢丝绳 $6 \times 37-13-170$ | cable wire $6 \times 17-13-170L=3.5m$ | 2 | |
| 22 | Y-15 | 钢丝绳夹 | cable clamp | 10 | |
| 23 | JB718-65 | 双头扳手 30×32 | double ended open spanner 30×32 | 1 | 90655 |
| 24 | JB718-65 | 双头扳手 19×22 | double ended open spanner 19×22 | 1 | |
| 25 | JB718-65 | 双头扳手 22×24 | double ended open spannet 22×24 | 1 | |
| 26 | JB717-65 | 单头扳手 27 | single ended open spanner 27 | 1 | 90465 |

| 序号 NO. | 图号 Parts - no. | 名称 Description | | 数量 Q'ty. | 编号 Order - no. |
|-----------|-------------------|---------------------|------------------------------------|-------------|-------------------|
| 27 | JB717-65 | 单头扳手 | single ended open spanner 36 | 1 | 90184 |
| 28 | JB717-65 | 单头扳手 17 | single ended open spanner 17 | 1 | |
| 29 | | 梅花扳手 22×24 | double ended ring spanner 22×24 | 1 | 95834 |
| 30 | | 梅棒扳手 17×19 | double ended ring spanner 17×19 | 1 | 92015 |
| 31 | | 套筒扳手接套 | socket wrench SW46 | 1 | 90199 |
| 32 | | 内六角扳手 5 | angled screw dirver 5 | 1 | 90055 |
| 33 | | 内六角扳手 6 | angled screw dirver 6 | 1 | 90862 |
| 34 | | 内六角扳手 8 | angled screw dirver 8 | 1 | 90657 |
| 35 | | 内六角扳手 10 | angled screw dirver 10 | 1 | 90469 |
| 36 | | 内六角扳手 19 | angled screw dirver 19 | 1 | 90194 |
| 37 | | 直咀式螺母挡圈钳 | pliers A19 DIN 5254 | 1 | 90785 |
| 38 | | 安全帽 | safety helmet | 1 | |
| 39 | | 焊接小链条 Ø;25 节 | chain link | 1 | |
| 40 | | 压力油壶 180ml | oil feeder | 1 | 90670 |
| 41 | | 二硫化铜锂基脂 2# 0.5kg | lubricant MOLYLUBE GRE ASE2 # | | |

上海金泰股份有限公司
地址:中国上海市汶水路 400 号
邮编:200072

电话:0086-21-56651055
传真:0086-21-56657534

市场营销部:
电话:0086-21-56656718
传真:0086-21-56039876
E-mail: imp-exp@jintaichina.com

Shanghai Jintai Company Limited
Add:No.400 Wenshui Road Shanghai, China
Zip code:200072

Tel:0086-21-56651055
Fax:0086-21-56657534

Sales Department:
Tel:0086-21-56656718
Fax:0086-21-56039876
Web: www.jintaichina.com