



APE Single Acting Diesel Impact Hammer

THE WORLD'S LARGEST PILEDRIVERS

Model D8-42

SPECIFICATIONS

Stroke at Maximum Rated Energy	135 in (343 cm)
Maximum Rated Energy (Setting 4)	19,800 ft-lbs (26.84 kNm)
(Setting 3)	16,434 ft-lbs (22.28 kNm)
(Setting 2)	13,068 ft-lbs (17.72 kNm)
Minimum Rated Energy (Setting 1)	9,702 ft-lbs (13.15 kNm)
<i>(VARIABLE THROTTLE ALLOWS FOR INFINITE FUEL SETTING)</i>	
Maximum Obtainable Stroke	150 in (381 cm)
Maximum Obtainable Energy	22,000 ft-lbs (29.83 kNm)
Speed (Blows Per Minute)	34-52

WEIGHTS (APPROXIMATE)

Piston	1,760 lbs (798 kg)
Anvil	352 lbs (160 kg)
Anvil Cross Sectional Area	76 in ² (490.32 cm ²)
Hammer Weight (Includes Trip Device)	6,250 lbs (2,835 kg)
Typical Operating (Weight With DB26 & H-Beam insert)	7,302 lbs (3,312 kg)

CAPACITIES

Fuel Tank (Runs on Diesel or Bio-Diesel)	4.7 Gal (17.79 Liters)
Oil Tank	1.3 Gal (4.9 Liters)

CONSUMPTION

Diesel or Bio-Diesel	0.06 Gal/hr (.49 Liters/hr)
Oil Tank	1.3 Gal/hr (4.9 Liters/hr)
Grease	8 to 10 Pumps Every 20 Minutes of Operation Time.

STRIKER PLATE FOR DB26

Weight	628 lbs (284 kg)
Diameter	22.5 in (57.15 cm)
Area	398 in ² (2,567.74 cm ²)
Thickness	6 in (15.24 cm)

STRIKER PLATE FOR DB20

Weight	440 lbs (199 kg)
Diameter	17.75 in (45 cm)
Area	247 in ² (1,593.55 cm ²)
Thickness	6 in (15.24 cm)

CUSHION MATERIAL

Type	Monocast MC 904
Diameter-DB26	22.5 in (57.15 cm)
Diameter-DB20	17.75 in (45.08 cm)
Thickness	2 in (5.08 cm)
Elastic-Modulus	285 ksi (1,965 mpa)
Coeff. of Restitution	0.8

DRIVE CAP

DB 26:	1,076 lbs (488 kg)
DB 20:	750 lbs (340 kg)

INSERT WEIGHT

H-Beam Insert for 12" (305mm) and 14" (355 mm):	948 lbs (430 kg)
Large Pipe Insert for the Sizes 12" to 24" Diameter:	1,830 lbs (830 kg)

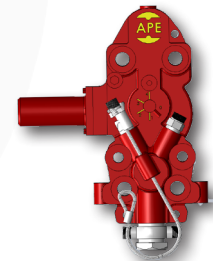
MINIMUM LEADER SIZE/OPERATING LENGTH

Minimum Box Leader Size	8 in x 21 in (20.32 cm x 53.34 cm)
Operating Length as Described Above	348 in (883.92 cm)

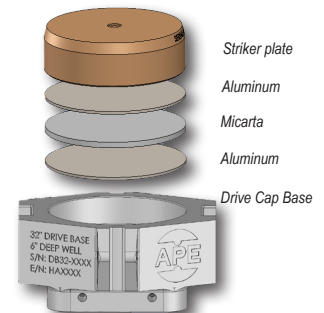


Image may not represent actual Model

Optional Variable Throttle Control



Drive Base Assembly



Striker plate
Aluminum
Micarta
Aluminum
Drive Cap Base

