



SERVICE BULLETIN

VIBRATORY HAMMERS • POWER UNITS/AUGER SYSTEMS • DIESEL & HYDRAULIC HAMMERS
DRILL RIGS • HYDRAULIC PILING RIGS • WICK DRAIN INSTALLERS • LEAD SYSTEMS



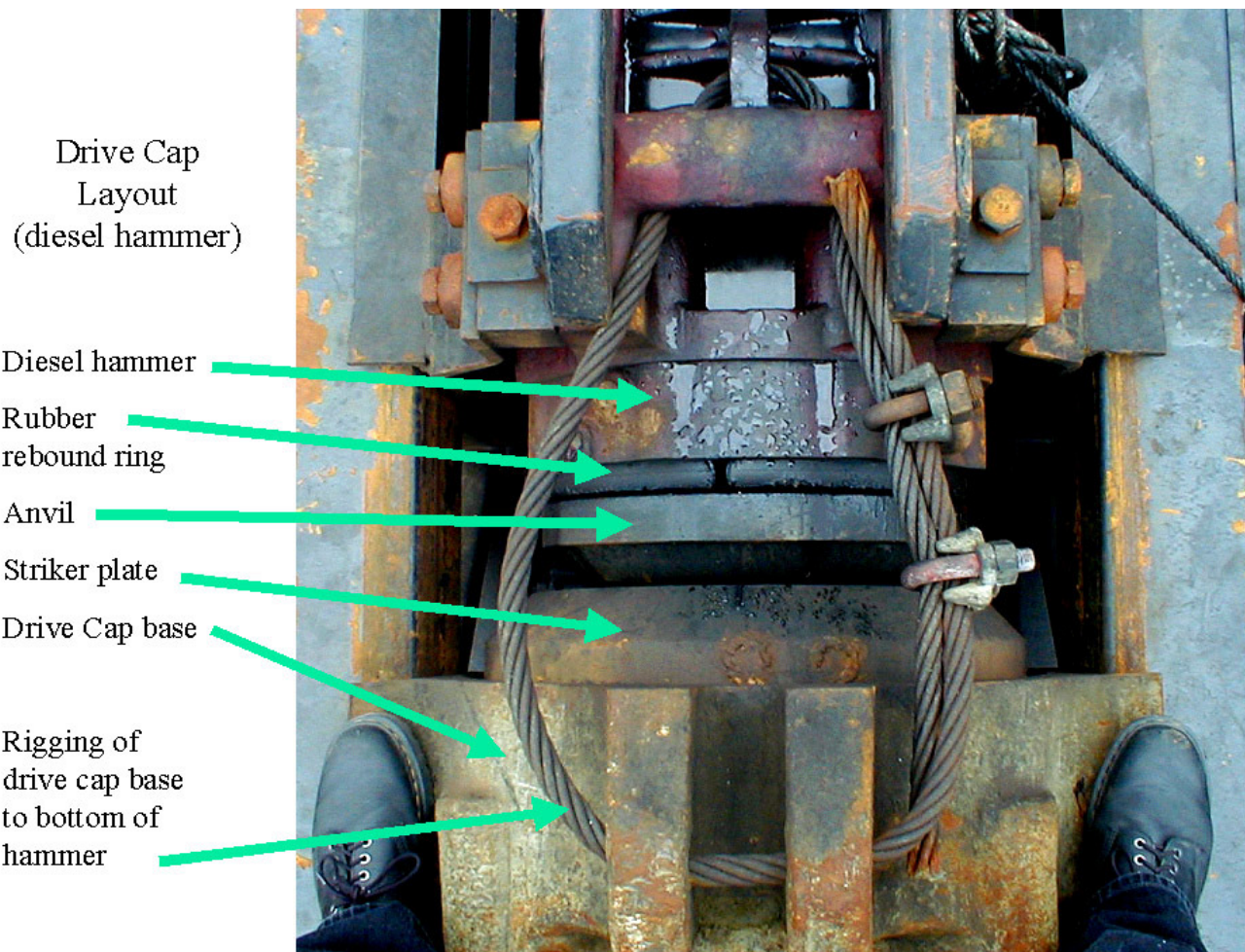
www.apevibro.com

Jan. 09, 2015

www.jandm-usa.com

#10 REV.A Diesel Hammer Drive Cap Lashing

Disregard previous prints that instruct lashing the drive base to the lifting eyes on the two piece anvil retainer of a diesel hammer. The lifting eyes are for handling the two piece anvil retainer only. Please see below for the correct way to lash a drive base to a diesel hammer.



APE HEADQUARTERS

7032 S 196TH STREET
KENT, WA 98032
(800) 248-8498 • (253) 872-0141
FAX (253) 872-8710

NORTHEAST REGIONAL OFFICE

401 HARTLE ST.
SAYREVILLE, NJ 08872
(888) 217-7524 • (732) 432-6604
FAX (732) 432-6608

APE CHINA

BUILDING No. 233, FU QIAO ROAD
GU CUN INDUSTRIAL ZONE BAOSHAN DISTRICT
SHANGHAI, CHINA 201906
011-86-21-5677-1221
FAX 011-86-21-3604-0553

LOUISIANA REGIONAL OFFICE

39266 A DOYLE DRIVE
GONZALES, LA 70737
(225) 644-7722
FAX (225) 644-7626

GULF REGIONAL OFFICE

3975 FM Hwy 1485
CONROE, TX 77306
(800) 596-2877 • (936) 271-1044
FAX (936) 271-1046

MID-ATLANTIC REGIONAL OFFICE

500 NEWTON ROAD, #200
VIRGINIA BEACH, VA 23462
(866) 399-7500 • (757) 518-9740
FAX (757) 518-9741

SOUTHEAST REGIONAL OFFICE

1345 INDUSTRIAL PARK ROAD
MULBERRY, FL 33860
(800) 570-3844 • (863) 324-0378
FAX (863) 318-9409

MID-WESTERN REGIONAL OFFICE

50 GERBER INDUSTRIAL DR.
ST. PETERS, MO 63376
(877) 296-8044 • (636) 397-8400
FAX (636) 278-4278

WESTERN REGIONAL OFFICE

2985 LOOMIS ROAD
STOCKTON, CA 95205
(888) 245-4401 • (209) 942-2166
FAX (209) 942-2455



SERVICE BULLETIN

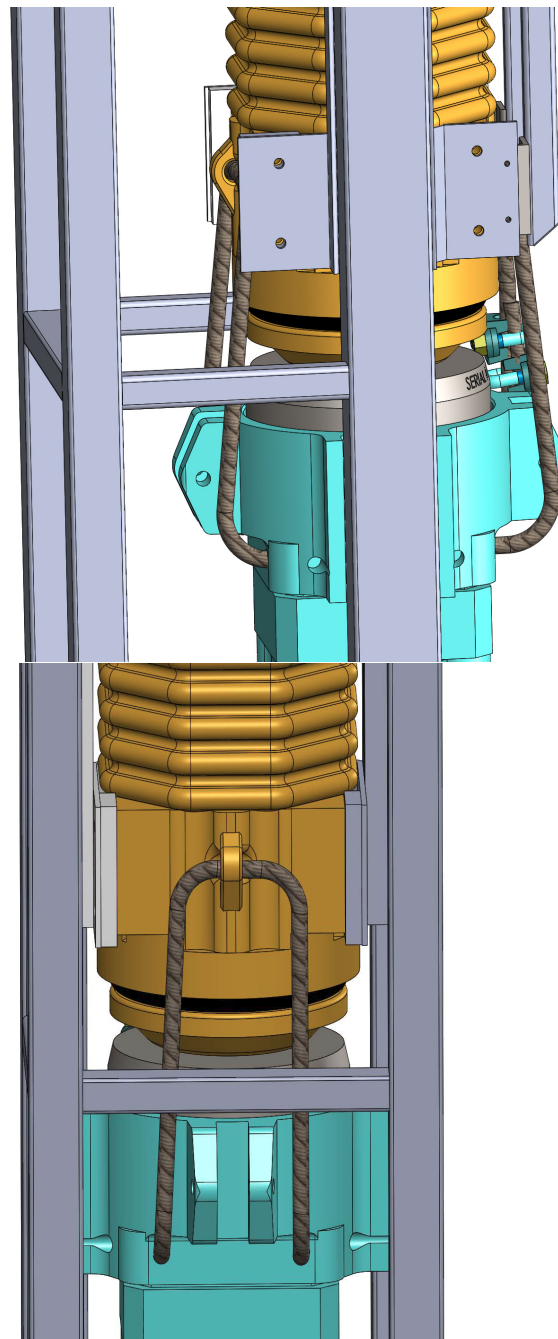
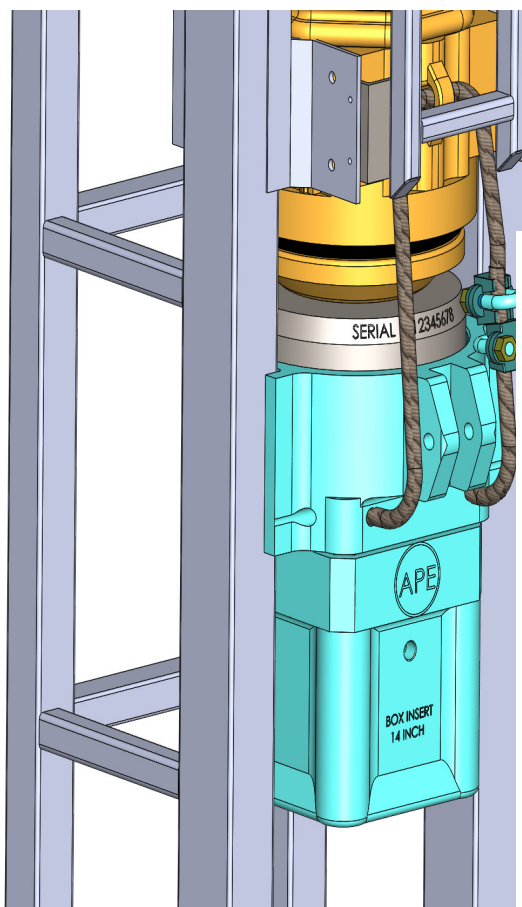
VIBRATORY HAMMERS • POWER UNITS AUGER SYSTEMS • DIESEL & HYDRAULIC HAMMERS
 DRILL RIGS • HYDRAULIC PILING RIGS • WICK DRAIN INSTALLERS • LEAD SYSTEMS



www.apevibro.com

www.jandm-usa.com

Here is another more effective way of cabling the components together. By using this type of method shown everything will hang level. Additionally, there should never be a gap between the top of the striker plate and the bottom of the anvil when the hammer is lifted off the pile. Finally, there needs to be about 6" to 8" of anvil travel when lifting the hammer off of the pile. If you have any questions please call APE at 1-800-248-8498.



APE HEADQUARTERS
 7032 S 196TH STREET
 KENT, WA 98032
 (800) 248-8498 • (253) 872-0141
 FAX (253) 872-8710

NORTHEAST REGIONAL OFFICE
 401 HARTLE ST.
 SAYREVILLE, NJ 08872
 (888) 217-7524 • (732) 432-6604
 FAX (732) 432-6608

APE CHINA
 BUILDING NO. 233, FU QIAO ROAD
 GU CUN INDUSTRIAL ZONE BAOSHAN DISTRICT
 SHANGHAI, CHINA 201906
 011-86-21-5677-1221
 FAX 011-86-21-3604-0553

LOUISIANA REGIONAL OFFICE
 39266 A DOYLE DRIVE
 GONZALES, LA 70737
 (225) 644-7722
 FAX (225) 644-7626

GULF REGIONAL OFFICE
 3975 FM HWY 1485
 CONROE, TX 77306
 (800) 596-2877 • (936) 271-1044
 FAX (936) 271-1046

MID-ATLANTIC REGIONAL OFFICE
 500 NEWTON ROAD, #200
 VIRGINIA BEACH, VA 23462
 (866) 399-7500 • (757) 518-9740
 FAX (757) 518-9741

SOUTHEAST REGIONAL OFFICE
 1345 INDUSTRIAL PARK ROAD
 MULBERRY, FL 33860
 (800) 570-3844 • (863) 324-0378
 FAX (863) 318-9409

MID-WESTERN REGIONAL OFFICE
 50 GERBER INDUSTRIAL DR.
 ST. PETERS, MO 63376
 (877) 296-8044 • (636) 397-8400
 FAX (636) 278-4278

WESTERN REGIONAL OFFICE
 2985 LOOMIS ROAD
 STOCKTON, CA 95205
 (888) 245-4401 • (209) 942-2166
 FAX (209) 942-2455