



SERVICE BULLETIN

VIBRATORY HAMMERS • POWER UNITS/AUGER SYSTEMS • DIESEL & HYDRAULIC HAMMERS
DRILL RIGS • HYDRAULIC PILING RIGS • WICK DRAIN INSTALLERS • LEAD SYSTEMS

May. 22, 2015

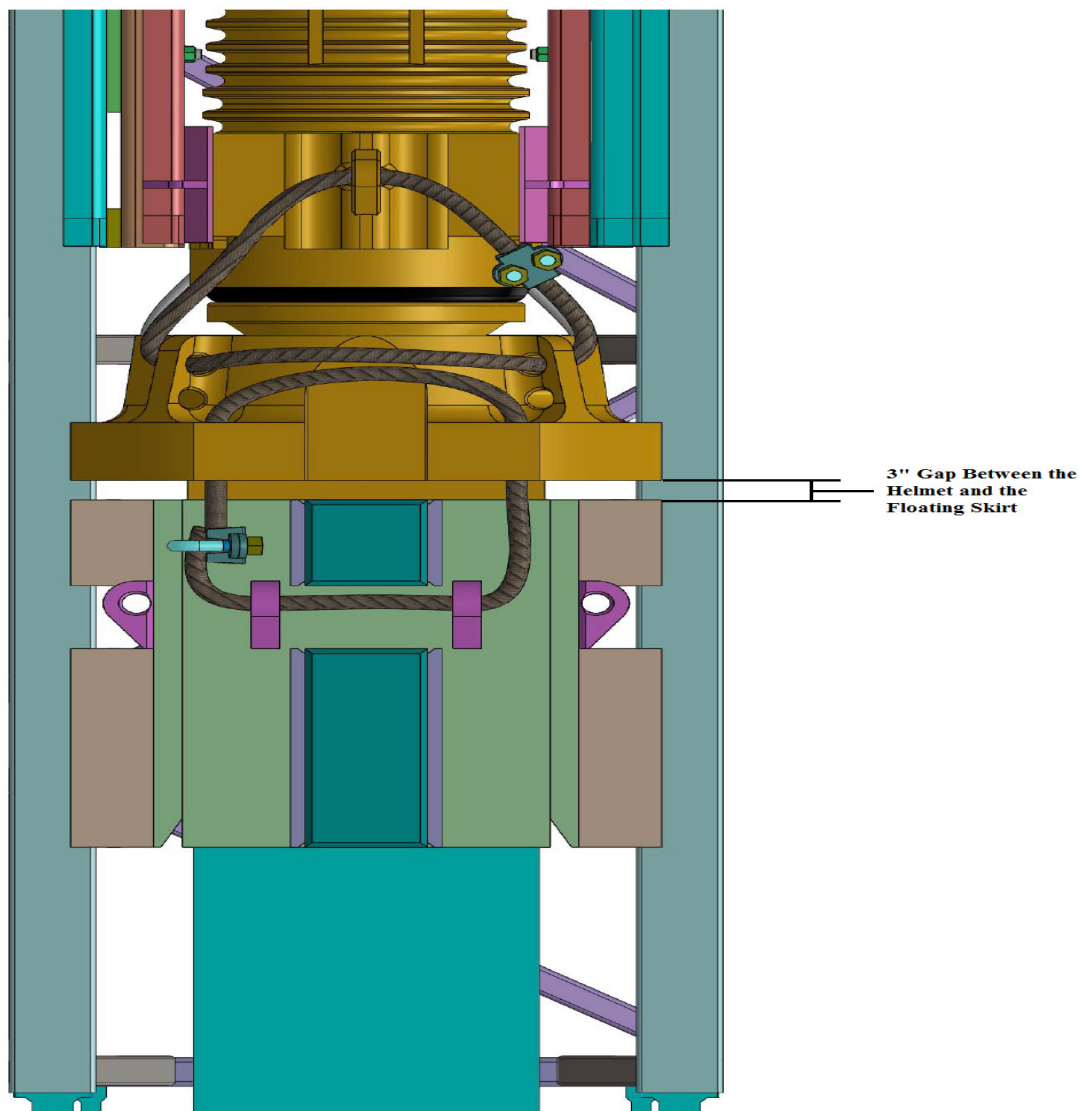


www.apevibro.com

www.jandm-usa.com

#18 Explanation Of How To Correctly Cable 2 Piece Box Helmets.

In this bulletin we will be addressing the proper way to cable 2 piece box helmets. As you can see in the picture below, there needs to be 2 cables connected. Also there needs to be roughly 3”s of gap between the helmet and the skirt. There will also need to be the 6” to 8”s of anvil gap when the hammer is picked up (**Addressed In Bulletin #10**).



APE HEADQUARTERS
7032 S 196TH STREET
KENT, WA 98032
(800) 248-8498 • (253) 872-0141
FAX (253) 872-8710

NORTHEAST REGIONAL OFFICE
401 HARTLE ST.
SAYREVILLE, NJ 08872
(888) 217-7524 • (732) 432-6604
FAX (732) 432-6608

APE CHINA
BUILDING No. 233, FU QIAO ROAD
GU CUN INDUSTRIAL ZONE BAOSHAN DISTRICT
SHANGHAI, CHINA 201906
011-86-21-5677-1221
FAX 011-86-21-3604-0553

LOUISIANA REGIONAL OFFICE
39266 A DOYLE DRIVE
GONZALES, LA 70737
(225) 644-7722
FAX (225) 644-7626

GULF REGIONAL OFFICE
3975 FM Hwy 1485
CONROE, TX 77306
(800) 596-2877 • (936) 271-1044
FAX (936) 271-1046

MID-ATLANTIC REGIONAL OFFICE
500 NEWTON ROAD, #200
VIRGINIA BEACH, VA 23462
(866) 399-7500 • (757) 518-9740
FAX (757) 518-9741

SOUTHEAST REGIONAL OFFICE
1345 INDUSTRIAL PARK ROAD
MULBERRY, FL 33860
(800) 570-3844 • (863) 324-0378
FAX (863) 318-9409

MID-WESTERN REGIONAL OFFICE
50 GERBER INDUSTRIAL DR.
ST. PETERS, MO 63376
(877) 296-8044 • (636) 397-8400
FAX (636) 278-4278

WESTERN REGIONAL OFFICE
2985 LOOMIS ROAD
STOCKTON, CA 95205
(888) 245-4401 • (209) 942-2166
FAX (209) 942-2455



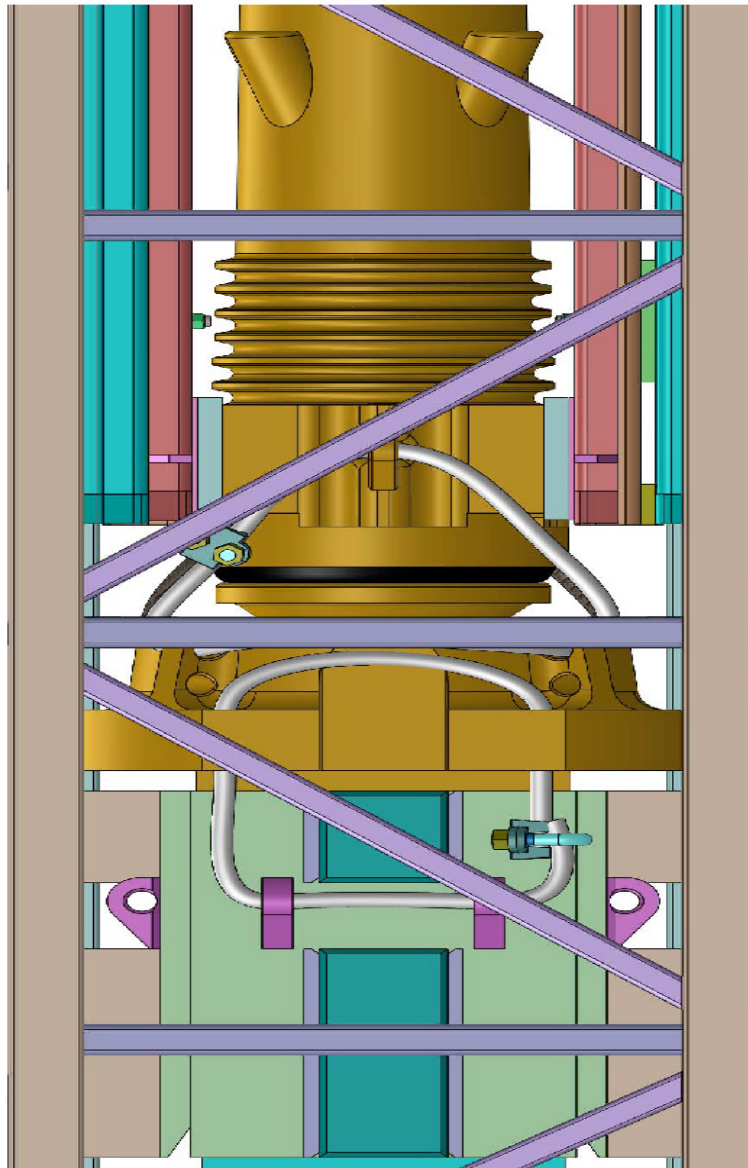
www.apevibro.com

SERVICE BULLETIN

VIBRATORY HAMMERS • POWER UNITS AUGER SYSTEMS • DIESEL & HYDRAULIC HAMMERS
 DRILL RIGS • HYDRAULIC PILING RIGS • WICK DRAIN INSTALLERS • LEAD SYSTEMS



www.jandm-usa.com



APE HEADQUARTERS

7032 S 196TH STREET
 KENT, WA 98032
 (800) 248-8498 • (253) 872-0141
 FAX (253) 872-8710

NORTHEAST REGIONAL OFFICE

401 HARTLE ST.
 SAYREVILLE, NJ 08872
 (888) 217-7524 • (732) 432-6604
 FAX (732) 432-6608

APE CHINA

BUILDING No. 233, FU QIAO ROAD
 GU CUN INDUSTRIAL ZONE BAOSHAN DISTRICT
 SHANGHAI, CHINA 201906
 011-86-21-5677-1221
 FAX 011-86-21-3604-0553

LOUISIANA REGIONAL OFFICE

39266 A DOYLE DRIVE
 GONZALES, LA 70737
 (225) 644-7722
 FAX (225) 644-7626

GULF REGIONAL OFFICE

3975 FM Hwy 1485
 CONROE, TX 77306
 (800) 596-2877 • (936) 271-1044
 FAX (936) 271-1046

MID-ATLANTIC REGIONAL OFFICE

500 NEWTON ROAD, #200
 VIRGINIA BEACH, VA 23462
 (866) 399-7500 • (757) 518-9740
 FAX (757) 518-9741

SOUTHEAST REGIONAL OFFICE

1345 INDUSTRIAL PARK ROAD
 MULBERRY, FL 33860
 (800) 570-3844 • (863) 324-0378
 FAX (863) 318-9409

MID-WESTERN REGIONAL OFFICE

50 GERBER INDUSTRIAL DR.
 ST. PETERS, MO 63376
 (877) 296-8044 • (636) 397-8400
 FAX (636) 278-4278

WESTERN REGIONAL OFFICE

2985 LOOMIS ROAD
 STOCKTON, CA 95205
 (888) 245-4401 • (209) 942-2166
 FAX (209) 942-2455