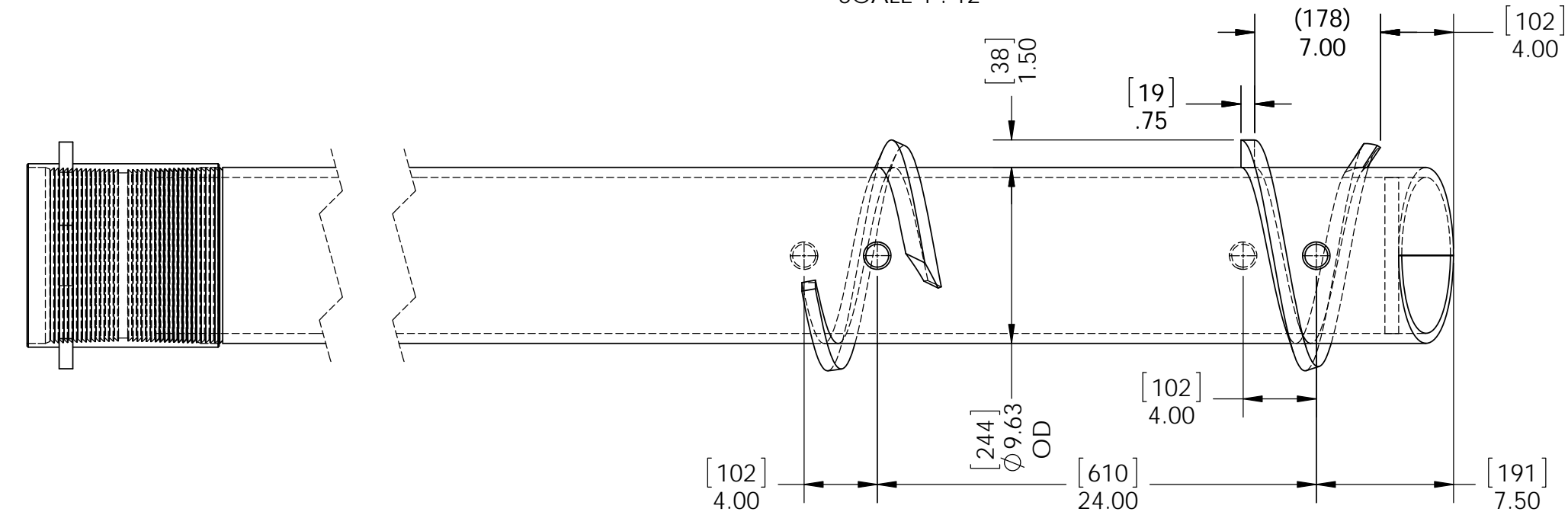


96", 120", 159.6", 240"  
2438, 3048, 4054, 6096  
CUSTOM LENGTH AVAILABLE

SECTION A-A  
SCALE 1 : 12



REVISIONS				
ZONE	REV.	DESCRIPTION	DATE	APPROVED
B1	A	Z-CUT DIRECTION WAS REVERSED	11/13/2015	

**PROPRIETARY AND CONFIDENTIAL**  
THE INFORMATION CONTAINED IN THIS DRAWING IS THE SOLE PROPERTY OF AMERICAN PILEDIVING EQUIPMENT. ANY REPRODUCTION IN PART OR AS A WHOLE WITHOUT THE WRITTEN PERMISSION OF AMERICAN PILEDIVING EQUIPMENT IS PROHIBITED. THE APE PRODUCT LINE IS PROTECTED BY VARIOUS PATENTS. FOR A LIST OF PATENTS, PLEASE VISIT OUR WEBSITE: [www.apevibro.com/ver2/apecpatents.asp](http://www.apevibro.com/ver2/apecpatents.asp)  
F.-Z. CHEN'S FOLDER PAUL SUPPRESSURE CALCULATED USING MICROPILE 9.625 DIA. 1003034 HD MICROPILE 9.625 OD

UNLESS OTHERWISE SPECIFIED:  
DIMENSIONS ARE IN mm  
TOLERANCES:  
FRACTIONAL ±  
ANGULAR: MACH ± BEND ±  
TWO PLACE DECIMAL ±  
THREE PLACE DECIMAL ±  
WEIGHT IN LBS: 2046.28  
INTERPRET GEOMETRIC TOLERANCING PER:  
MATERIAL SEAMLESS CASING P110 PLATE A514  
FINISH  
DO NOT SCALE DRAWING

	NAME	DATE
DRAWN	CHEN CZ	11/13/2015
CHECKED		
ENG APPR.		
MFG APPR.		
Q.A.		
COMMENTS:		

**AMERICAN PILEDIVING EQUIPMENT**  
7032 S. 196TH ST KENT WA 98032

**TITLE:**  
HD MICROPILE-9.625 OD

SIZE <b>B</b>	DWG. NO. 1003034	REV <b>A</b>
---------------	------------------	--------------

SCALE: 1:48 WEIGHT: 2046.28 SHEET 1 OF 1