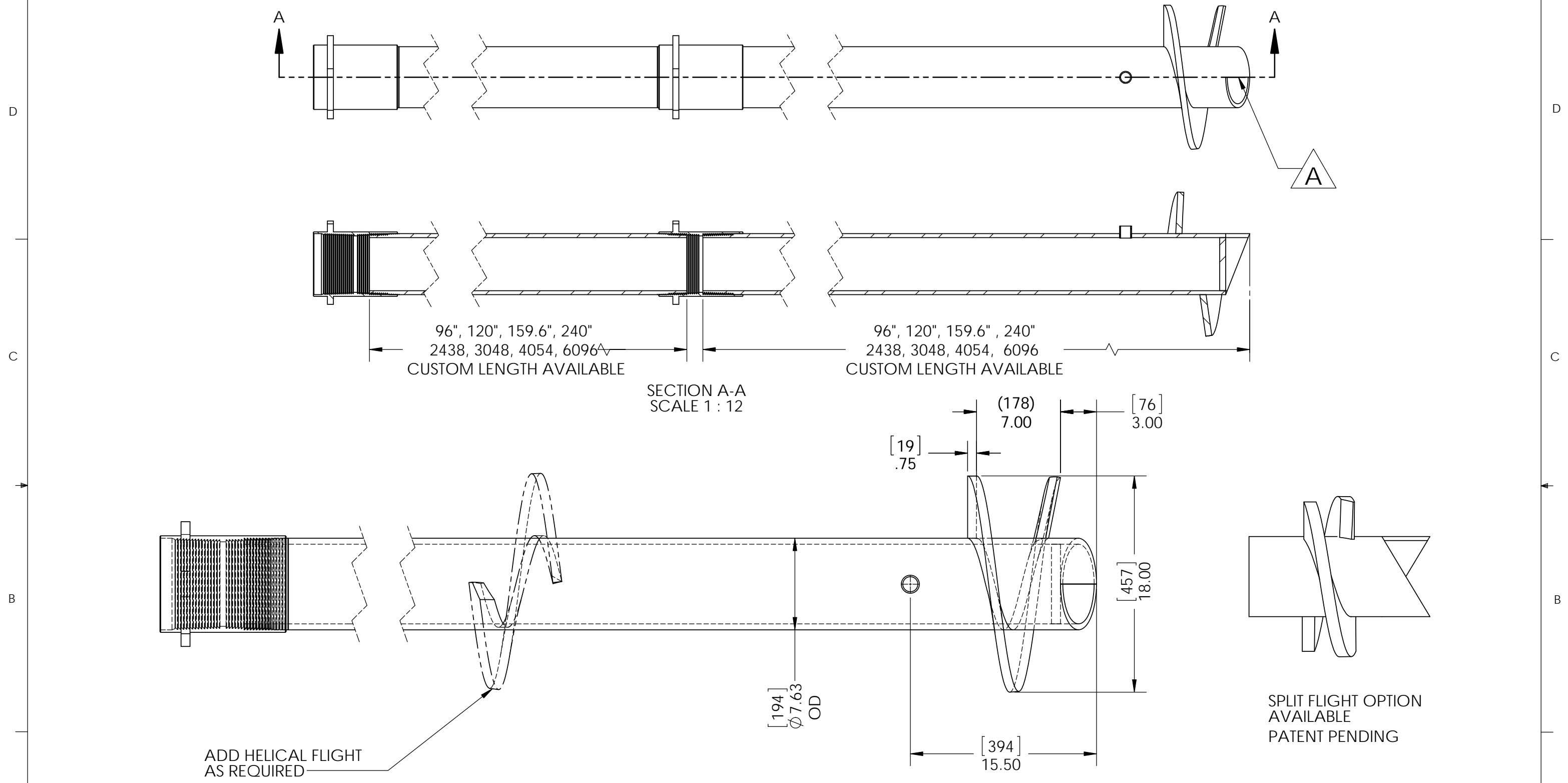


8 7 6 5 4 3 2 1



REVISIONS				
ZONE	REV.	DESCRIPTION	DATE	APPROVED
B1	A	Z-CUT DIRECTION WAS REVERSED	11/13/2015	

PROPRIETARY AND CONFIDENTIAL

THE INFORMATION CONTAINED IN THIS DRAWING IS THE SOLE PROPERTY OF AMERICAN PILEDIVING EQUIPMENT. ANY REPRODUCTION IN PART OR AS A WHOLE WITHOUT THE WRITTEN PERMISSION OF AMERICAN PILEDIVING EQUIPMENT IS PROHIBITED. THE APE PRODUCT LINE IS PROTECTED BY VARIOUS PATENTS. FOR A LIST OF PATENTS, PLEASE VISIT OUR WEBSITE: www.apevibro.com/ver2/apepatents.asp

F:AZ-CHEN'S FOLDER\PAUL SUPRESSURE
CALCULATED (DIP) HD PGDP 7.625 DIA X
1002961 HD PGDP 7.625 OD

UNLESS OTHERWISE SPECIFIED:		NAME	DATE	AMERICAN PILEDIVING EQUIPMENT 7032 S. 196TH ST KENT WA 98032
DIMENSIONS ARE IN mm		DRAWN	CHEN CZ	
TOLERANCES:		CHECKED		
FRACTIONAL ±		ENG APPR.		
ANGULAR: MACH ± BEND ±		MFG APPR.		
TWO PLACE DECIMAL ±		Q.A.		
THREE PLACE DECIMAL ±		COMMENTS:		
WEIGHT IN LBS: 1508.79				
INTERPRET GEOMETRIC TOLERANCING PER:		TITLE:		
MATERIAL SEAMLESS CASING P110 PLATE A514		HD PGDP(PRESSURE GROUTED DISPL. PILE)-7.625 OD		
FINISH		SIZE	DWG. NO.	REV
DO NOT SCALE DRAWING		B	1002961	A
		SCALE: 1:48 WEIGHT: 1508.79 SHEET 1 OF 1		