

II. COMPONENT DEFINITION

II-1. Component Identification Continued...

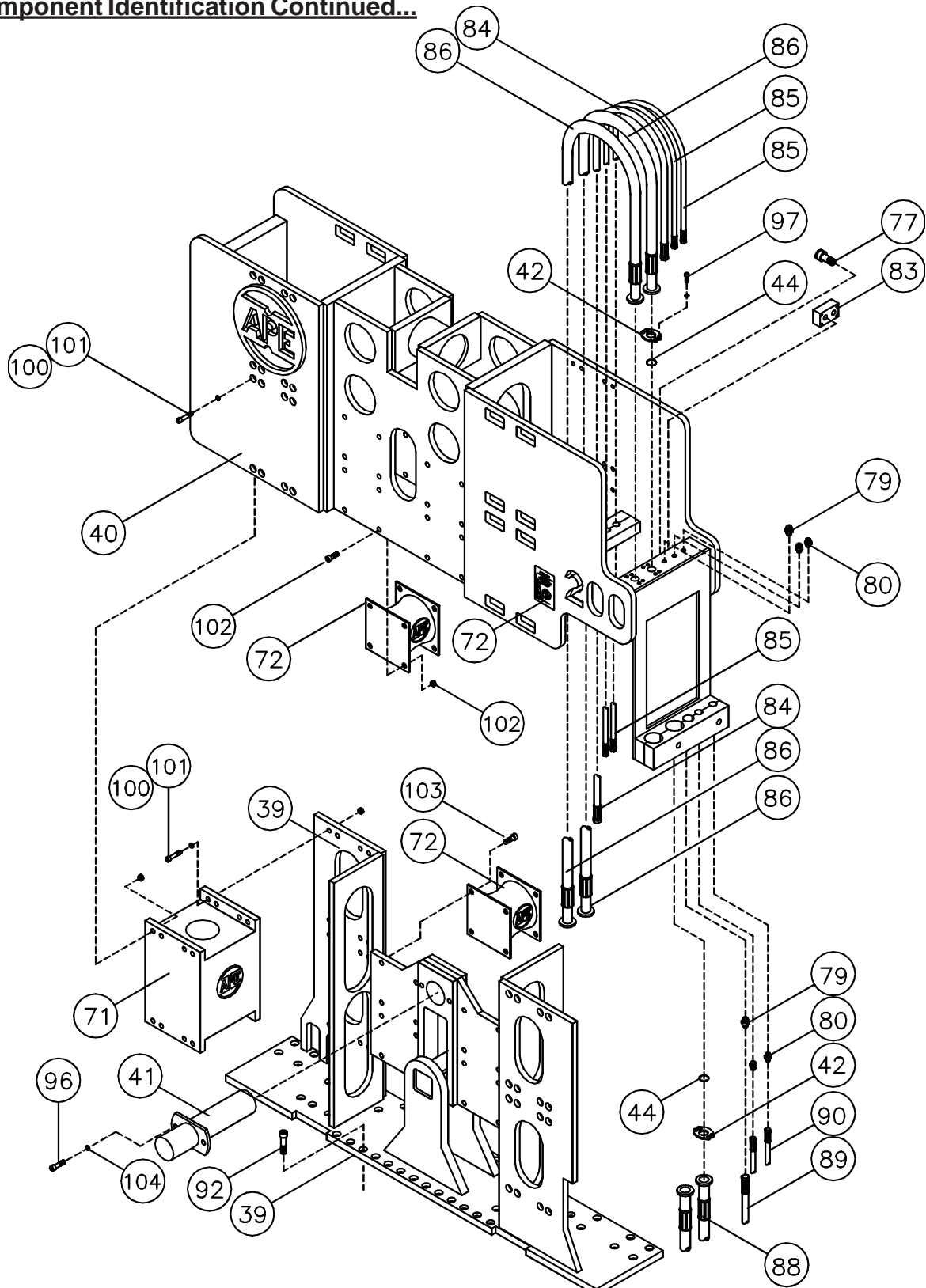
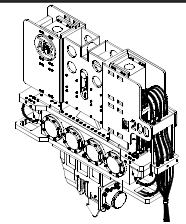
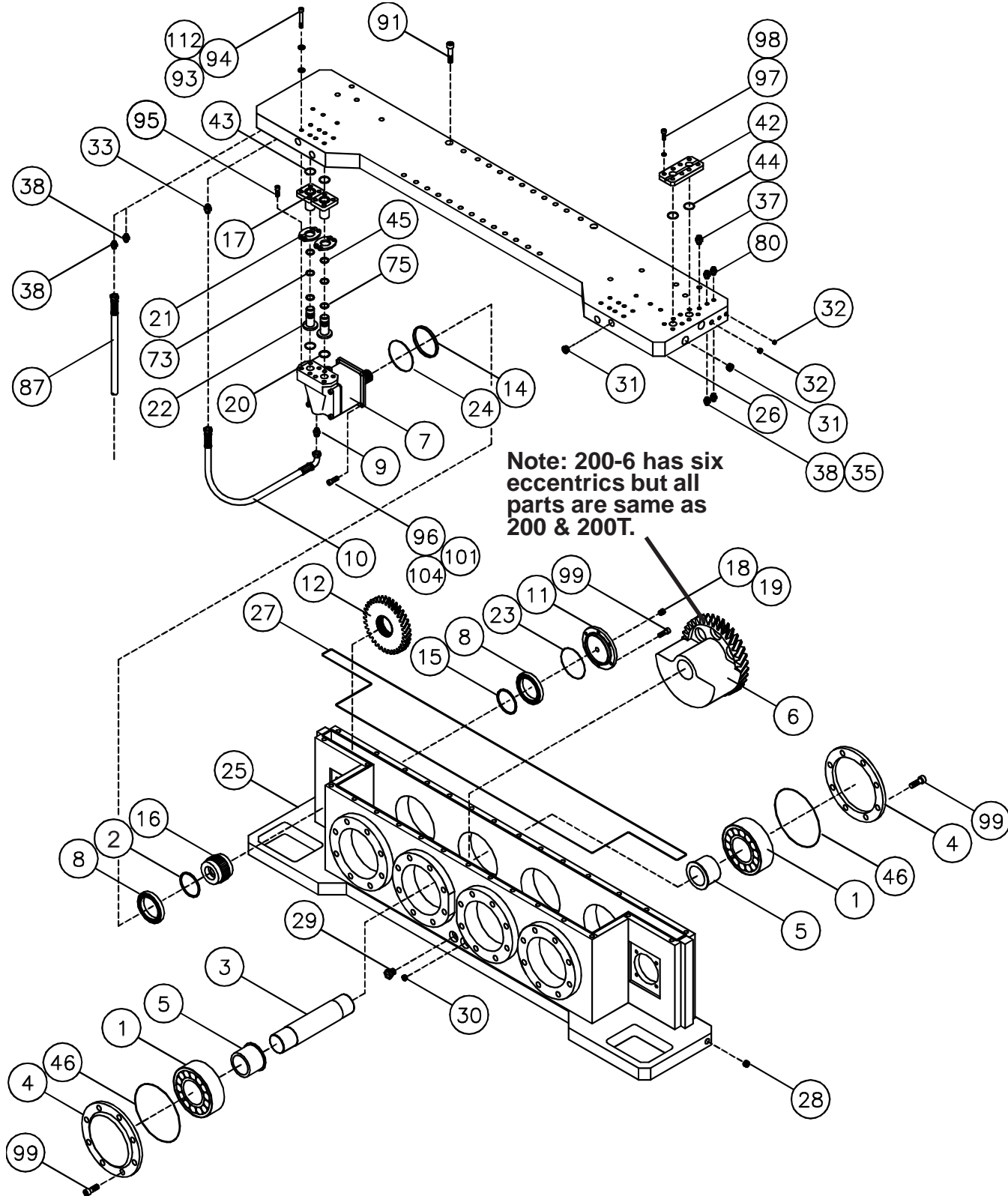


Figure 2-A1. Model 200 Suppressor Component Location



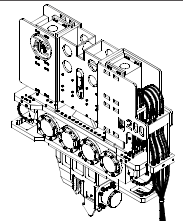
II. COMPONENT DEFINITION

II-1. Component Identification Continued...



Note: 200-6 has six eccentrics but all parts are same as 200 & 200T.

Figure 2-A2. Model 200 Gearbox Component Location



II. COMPONENT DEFINITION

II-1. Component Identification Continued...

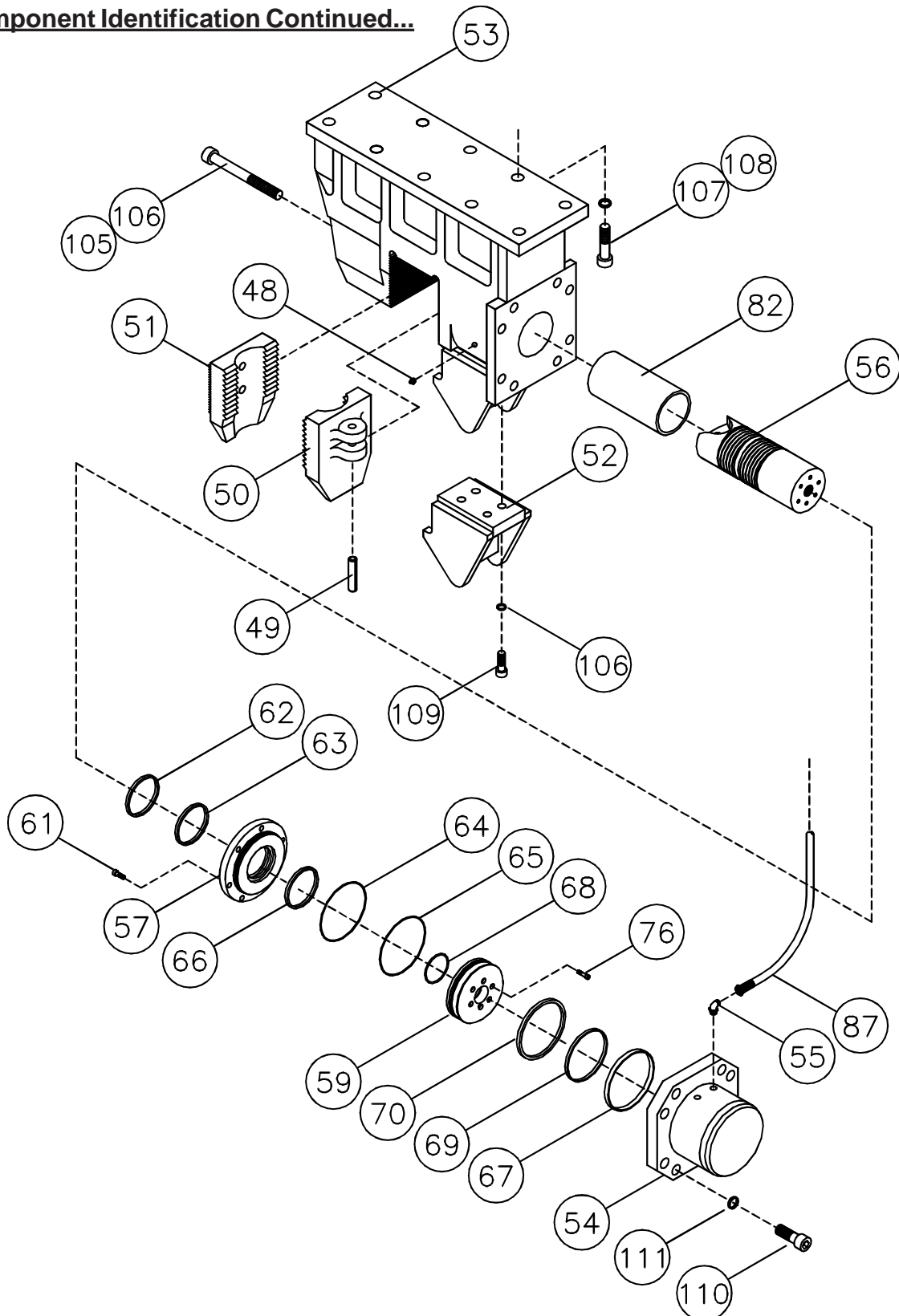


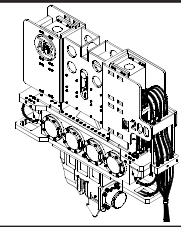
Figure 2-A3. Model 200 Clamp Component Location



OPERATION / MAINTENANCE MANUAL

MODEL 200, 200T & 200-6 VIBRATORY DRIVER WITH MODEL 630 POWER UNIT

7032 SOUTH 196th - KENT, WA 98032 - (253) 872-0141 / FAX (253) 872-8710



II. COMPONENT DEFINITION

II-1. Component Identification

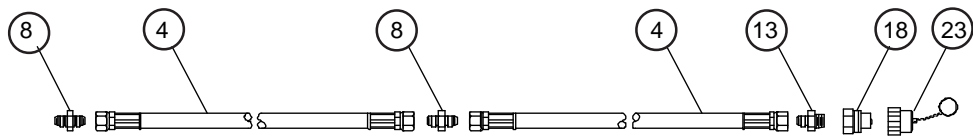
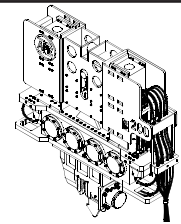
The following is a general listing of the APE 200, 200T & 200-6 Major components and part numbers. (Please see Figure 2-A. for component location.)

Note: The 200-6 has two additional eccentrics and related components.

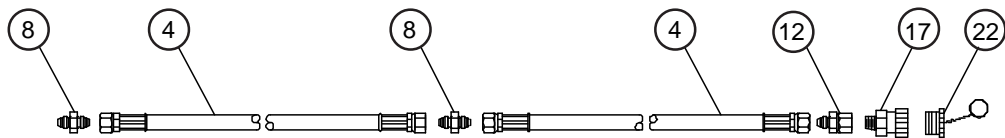
Table 2-A. Component Identification - Vibro.

Item	Qty	Description	Part #
1	8	Model 200 Eccentric Bearing	#121001
2	2	Gear Spacer - Narrow	#122011
3	4	Eccentric Shaft	#121003
4	8	Eccentric Bearing Cover	#121004
5	8	Eccentric Bearing Sleeve	#121005
6	4	Eccentric Weight - Model 200	#131007
7	4	Vibratory Motors	#122001
8	4	Motor Bearing	#122002
9	2	Fitting#F40X-S-8-12MJICxMBSPP	#122003
10	2	Motor Hose Assembly	#122004
11	2	Motor Bearing Cover	#122005
12	1	Drive Gear - Left	#122006
13	1	Drive Gear - Right	#122007
14	2	Bearing Spacer	#122008
15	2	Gear Spacer	#122009
16	2	Gear Carrier	#122010
17	4	Hydraulic Flange Couplers	#152012
18	2	#10 SAE Breather Plug	#122014
19	1	Breather Valve	#122015
20	4	Parker O-Ring #2-225	#122027
21	4	1 1/4 Code 62 Split Flange	#122017
22	--	Top Plate Piston Plungers	#122018
23	2	Motor Cover O-Ring Parker#2-258	#122019
24	2	Motor O-Ring Parker #2-163	#122020
25	1	Vibratory Gearbox	#153001
26	1	Top Plate	#153002
27	1	.070 C/S BUNA 70 Cord x 13'-0"	#123003
28	2	Magnetic Drain Plug	#123004
29	1	Sight Gauge	#123005
30	1	Gearbox Oil Level Plug	#123006
31	8	#20 SAE Socket Drive Plug	#123007
32	10	#8 SAE Socket Drive Plug	#123008
33	2	#8 SAE / #8 JIC Fitting	#123009
34			
35	2	#6 JIC Cap	#123011
36	1	Oil Fill Plug	#123012
37	1	#12 SAE / #12 JIC Fitting	#123013
38	4	#8 SAE / #6 JIC Fitting	#123014
39	1	Lifting Bracket	#123015
40	1	Outer Suppressor Housing	#1301
41	1	Lift Pin	#123017
42	3	Double Split Flange	#123018
43	4	Parker O-Ring #2-226	#123104
44	6	Flange O-Ring #2-225	#123020
45	4	Parker O-Ring #2-218	#123105
46	8	Bearing Cover O-Ring #2-276	#123101

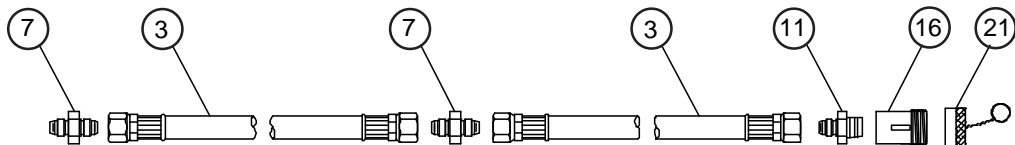
Item	Qty	Description	Part #
47	1	Bolt Kit - Model 200	#154000
48	1	1/8" Grease Zert	#221001
49	1	Jaw Pin	#221002
50	1	Movable Jaw	#221005
51	1	Fixed Jaw	#221011
52	1	Sheet Pile Guide Assy.	#221017
53	1	Clamp Body	#231101
54	1	Clamp Cylinder - Model 200	#232001
55	2	#6 SAE / #6 JIC 45 Deg. Fitting	#222002
56	1	Plunger Model 150	#222301
57	1	Cylinder End Cap	#222302
58	1	Plunger Model 180	#232301
59	1	Cylinder Piston	#222303
60	--	-----	-----
61	--	Bolt-SHCS 5/8"NF x 1" (Machined)	#124209
62	1	6" Rod Wiper #959-53	#222015
63	1	Type B Polypak #25006000-3758	#222016
64	1	Back-Up Ring #8-367 N300-90	#222017
65	2	O-Ring 70 Duro #2-367	#222018
66	1	Wear Ring #W125-6250-750	#222014
67	1	Piston Ring #TFE-R-30008 Bronze	#222011
68	1	Parker O-Ring #2-356	#222013
69	1	Square Ring #4426	#222012
70	1	Wear Ring #W125-8000-750	#222020
71	4	Large Elastomers	#321003
72	8	Small Elastomers	#321004
73	4	Backup Ring #8-218	#123106
74	1	Center Pin	#321006
75	4	Environmental O-Ring #2-028	#123107
76	6	Bolt-SHCS 7/8"NC x 2"	#124218
77	1	Pop-Off Valve	#321009
78	2	Danger Sticker - Small	#000109
79	1	#12 SAE / #12 JIC Fitting	#321011
80	4	#8 SAE / #6 JIC Fitting	#321012
81			
82	1	Plastic Insert	#232020
83	1	Check Valve	#321015
84	1	Hose, Suppressor, Case Drain	#421003
85	2	Hose, Suppressor, Clamp	#421004
86	2	Hose, Suppressor, Motor Feed	#421032
87	2	Hose, Clamp Line	#412005
88	2	Hose, Pigtail, Motor Feed	#421007
89	1	Hose, Pigtail, Case Drain	#421003
90	2	Hose, Pigtail, Clamp Line	#421004



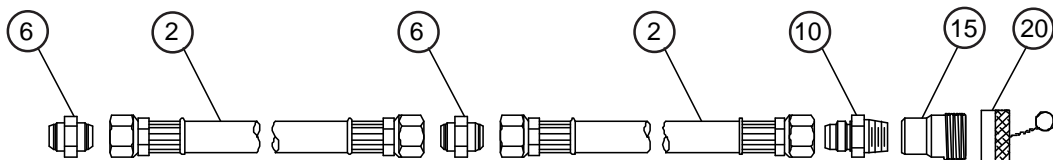
CLAMP-CLOSE HOSE ASSEMBLY (3/8" I.D.)



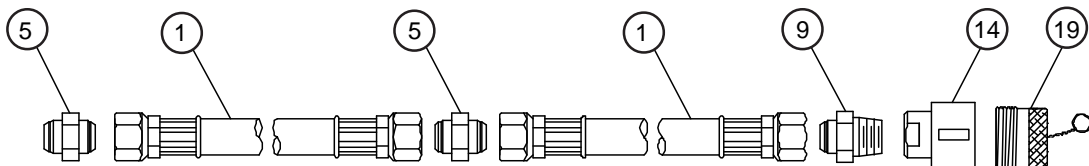
CLAMP-OPEN HOSE ASSEMBLY (3/8" I.D.)



CASE DRAIN HOSE ASSEMBLY (1" I.D.)



PRESSURE HOSE ASSEMBLY (1-1/2" I.D.)



RETURN HOSE ASSEMBLY (2" I.D.)

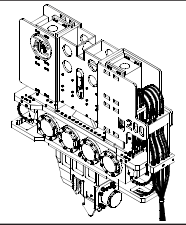
Figure 2-B. Hose Bundle Identification - Vibro.



OPERATION / MAINTENANCE MANUAL

MODEL 200, 200T & 200-6 VIBRATORY DRIVER WITH MODEL 630 POWER UNIT

7032 SOUTH 196th - KENT, WA 98032 - (253) 872-0141 / FAX (253) 872-8710



II. COMPONENT DEFINITION (Continued...)

II-2. Hose Identification.

The following is a general listing of the standard hoses that are shipped with the Model 200, 200T & 200-6 Vibratory Driver. (Please see Figure 2-B. for component location.)

Table 2-B. Hose Identification - Vibro.

Item	Qty	Description	Part No.
1	3	2" x 50' c/w 2" FJIC e/e (5000 psi rated)	#421008
2	3	1-1/2" x 50' c/w 1-1/2" FJIC e/e (5000 psi rated)	#421008
3	3	1" x 50' c/w 1" FJIC e/e (2000 psi rated)	#421009
4	6	3/8" x 50' c/w 3/8" FJIC e/e (CPB 5500 psi)	#421010
5	3	Fitting #32 Male JIC Union	#421048
6	3	Fitting #24 Male JIC Union	#421012
7	3	Fitting #16 Male JIC Union	#421013
8	6	Fitting #6 Male JIC Union	#421014
9	1	Fitting #32 MJIC/#32 M.Pipe	#421049
10	1	Fitting #24 MJIC/#24 M.Pipe	#421015
11	1	Fitting #16 MJIC/#12 M. Pipe	#421016
12	1	Fitting #6 MJIC/#6 F. Pipe	#421011
13	1	Fitting #6 MJIC/#6 M. Pipe	#421017
14	1	2" QD Female Coupling	#441301
15	1	1-1/2" QD. Male Coupling	#400303
16	1	Aeroquip Male QD #5100S112B	#421020
17	1	Safeway Female QD #S35-3	#421024
18	1	Safeway Male QD #S31-3	#421025
19	1	APE 2" Dust Plug	#441103
20	1	APE 1-1/2" Dust Cap	#400703
21	1	Aeroquip Dust Cap #5100S712B	#421021
22	1	Safeway Plug #S34-3	#421027
23	1	Safeway Cap #S39-3	#421026